



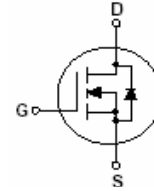
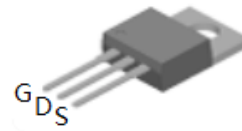
Technologies Int'l

WFP7N60

600V N-Channel MOSFET

Features

- Low Intrinsic Capacitances
- Excellent Switching Characteristics
- Extended Safe Operating Area
- Unrivalled Gate Charge :Qg= 40nC (Typ.)
- BVDSS=600V, ID=7A
- $R_{DS(on)}$:1.2 Ω (Max) @VG=10V
- 100% Avalanche Tested



TO-220

G-Gate,D-Drain,S-Source

Absolute Maximum Ratings *T_c=25°C unless other wise noted*

Symbol	Parameter	WFP7N60	Units
V _{DSS}	Drain-Source Voltage	600	V
I _D	Drain Current -continuous (T _c =25°C)	7	A
	-continuous (T _c =100°C)	4.7	A
V _{GS}	Gate-Source Voltage	± 30	V
E _{AS}	Single Plused Avanche Energy (Note1)	420	mJ
I _{AR}	Avalanche Current (Note2)	7	A
P _D	Power Dissipation (T _c =25°C)	147	W
T _J , T _{STG}	Operating and Storage Temperature Range	-55 ~ +150	°C
TL	Maximum lead temperature for soldering purpose, 1/8" from case for 5 seconds	300	°C

Thermal Characteristics

Symbol	Parameter	Typ.	Max	Units
R _{θJC}	Thermal Resistance, Junction to Case	--	0.88	°C/W
R _{θCS}	Thermal Resistance, Case to Sink	0.5	--	°C/W
R _{θJA}	Thermal Resistance, Junction to Ambient	--	62.5	°C/W

Electrical Characteristics Tc=25°C unless other wise noted

Symbol	Parameter	Test Condition	Min.	Typ.	Max	Units
Off Characteristics						
BV _{DSS}	Drain-Source Breakdown Voltage	ID=250 μ A, VGS=0	600	--	--	V
ΔBV _{DSS} / ΔT _J	Breakdown Voltage Temperature Coefficient	ID=250 μ A, Reference to 25°C	--	0.67	--	V/°C
IDSS	Zero Gate Voltage Drain Current	Vds=600V, Vgs=0V	--	--	10	μ A
		Vds=480V, Tc=125°C			100	μ A
IGSSF	Gate-body leakage Current, Forward	Vgs=+30V, Vds=0V	--	--	100	nA
IGSSR	Gate-body leakage Current, Reverse	Vgs=-30V, Vds=0V	--	--	-100	nA
On Characteristics						
V _{GS(th)}	Gate Threshold Voltage	ID=250uA, Vds=Vgs	2	--	4	V
R _{DS(on)}	Static Drain-Source On-Resistance	ID=3.7A, Vgs=10V	--	--	1.2	Ω
Dynamic Characteristics						
Ciss	Input Capacitance	VDS=25V, VGS=0, f=1.0MHz	--	1100	1430	pF
Coss	Output Capacitance		--	135	175	pF
Crss	Reverse Transfer Capacitance		--	16	21	pF
Switching Characteristics						
Td(on)	Turn-On Delay Time	VDD=300V, ID=7A RG=25 Ω (Note 3,4)	--	30	70	nS
Tr	Turn-On Rise Time		--	80	170	nS
Td(off)	Turn-Off Delay Time		--	65	140	nS
Tf	Turn-Off Fall Time		--	60	130	nS
Qg	Total Gate Charge	VDS=480, VGS=10V, ID=7A (Note 3,4)	--	29	38	nC
Qgs	Gate-Source Charge		--	7	--	nC
Qgd	Gate-Drain Charge			14.5	--	nC
Drain-Source Diode Characteristics and Maximum Ratings						
IS	Maximum Continuous Drain-Source Diode Forward Current		--	--	7	A
ISM	Maximum Pulsed Drain-Source Diode Forward Current		--	--	28	A
VSD	Drain-Source Diode Forward Voltage	ID=7A	--	--	1.5	V
trr	Reverse Recovery Time	IS=7A, VGS =0V	--	320	--	nS
Qrr	Reverse Recovery Charge	diF/dt=100A/ μ S (Note3)	--	2.4	--	μ C
*Notes	1, L=15.7mH, IAS=7A, VDD=50V, RG=25Ω, Starting TJ =25°C 2, Repetitive Rating : Pulse width limited by maximum junction temperature 3, Pulse Test : Pulse Width ≤ 300μs, Duty Cycle ≤ 2% 4, Essentially Independent of Operating Temperature					

Typical Characteristics

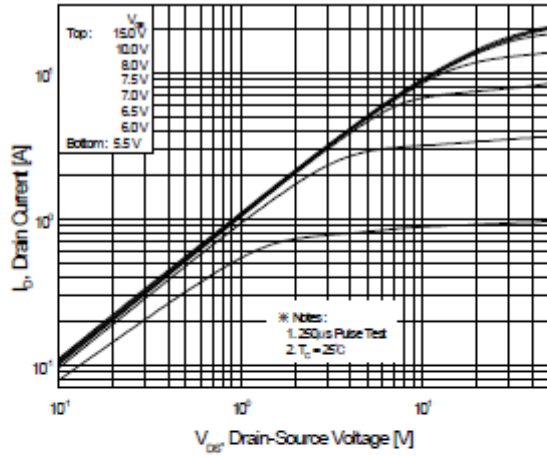


Figure 1. On-Region Characteristics

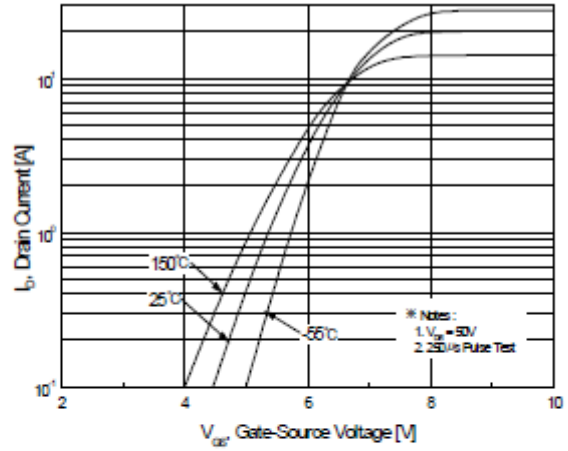


Figure 2. Transfer Characteristics

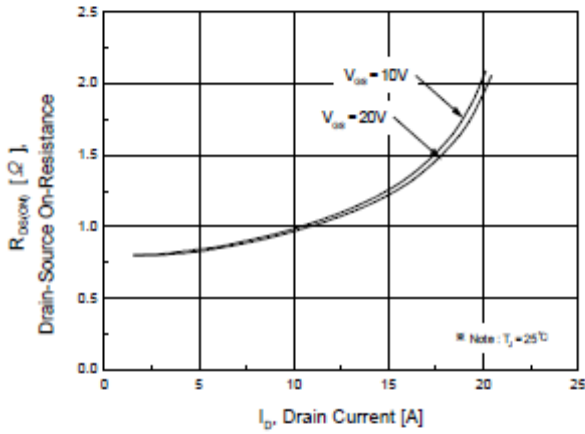


Figure 3. On-Resistance Variation vs. Drain Current and Gate Voltage

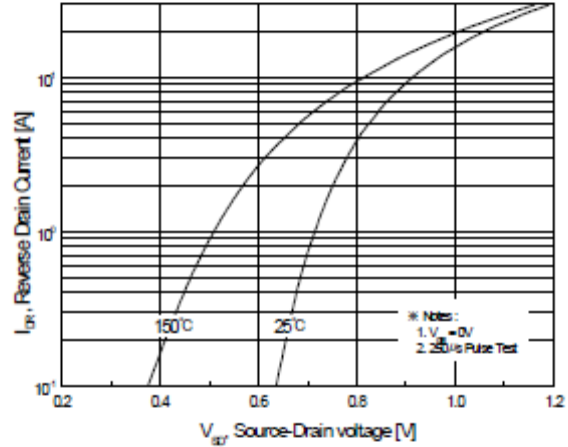


Figure 4. Body Diode Forward Voltage Variation vs. Source Current and Temperature

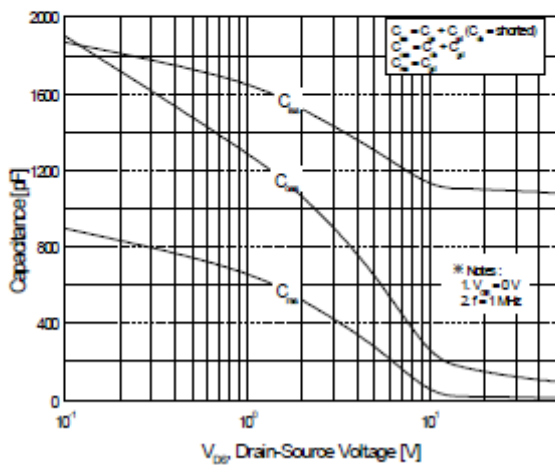


Figure 5. Capacitance Characteristics

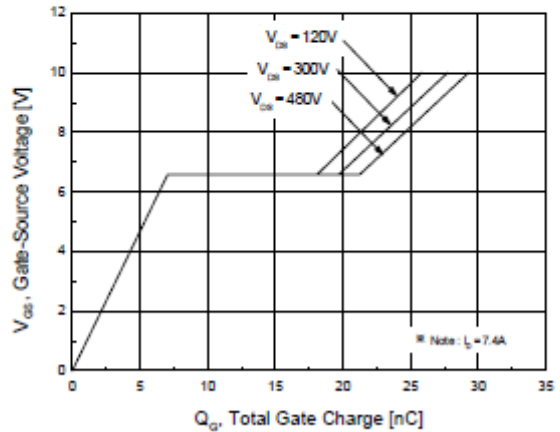


Figure 6. Gate Charge Characteristics

Typical Characteristics (Continued)

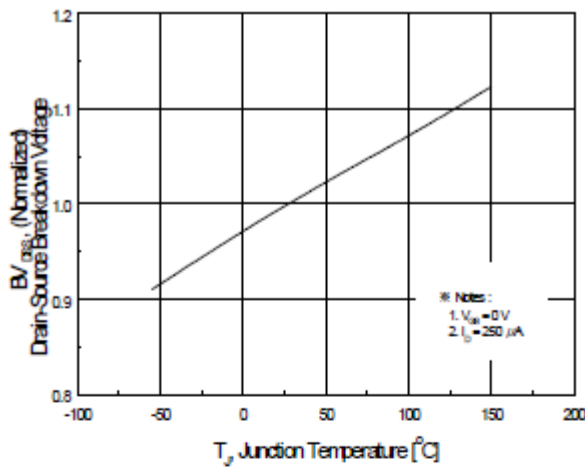


Figure 7. Breakdown Voltage Variation vs. Temperature

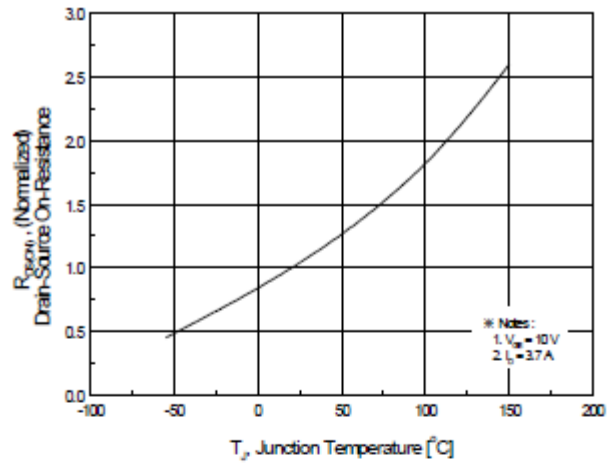


Figure 8. On-Resistance Variation vs. Temperature

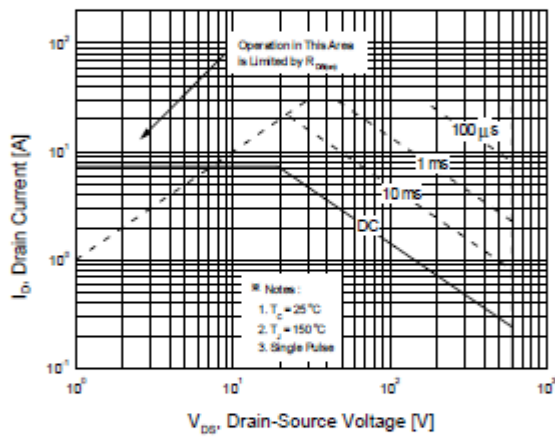


Figure 9. Maximum Safe Operating Area

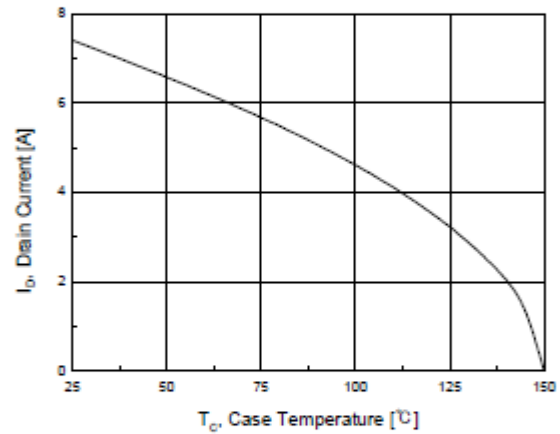


Figure 10. Maximum Drain Current vs. Case Temperature

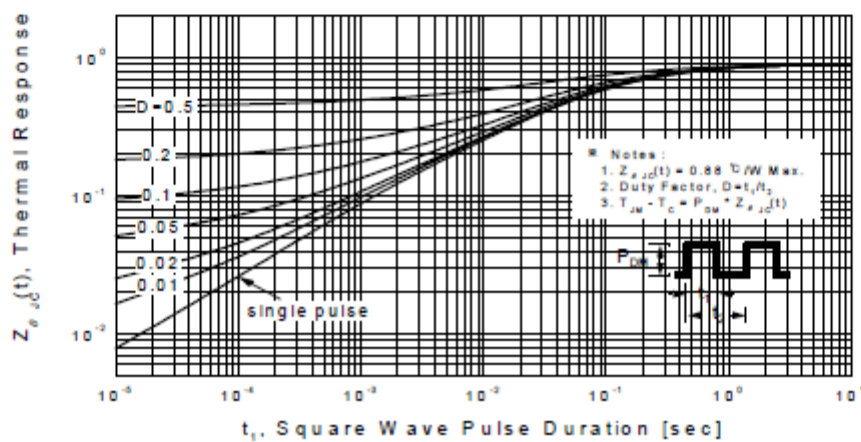
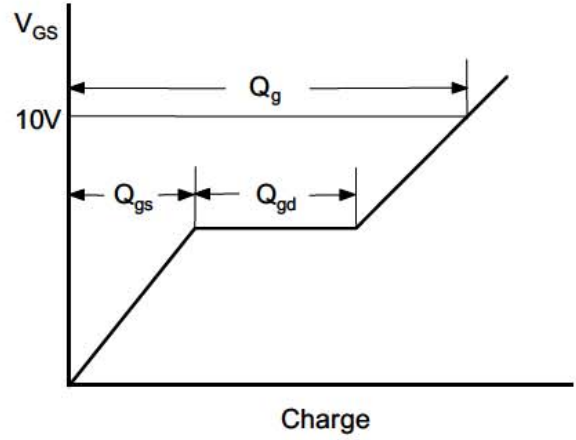
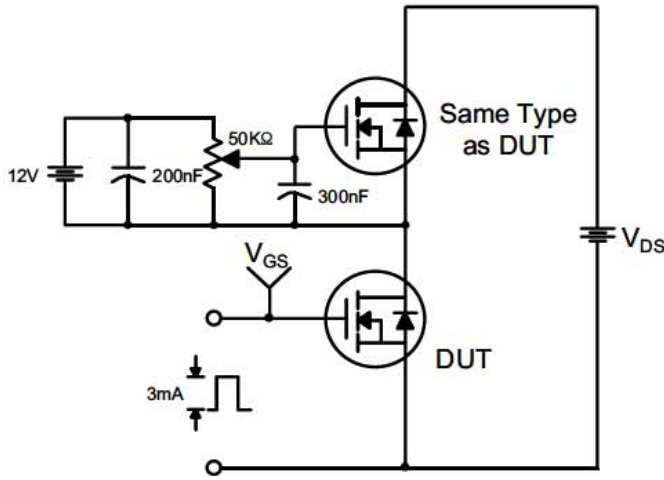
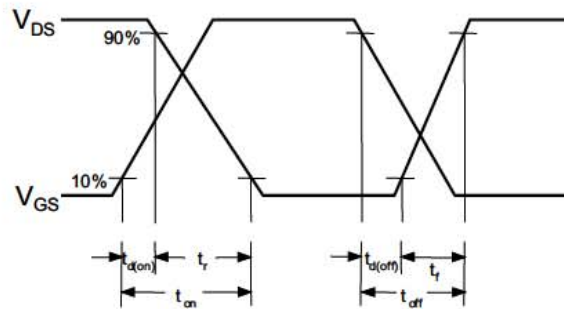
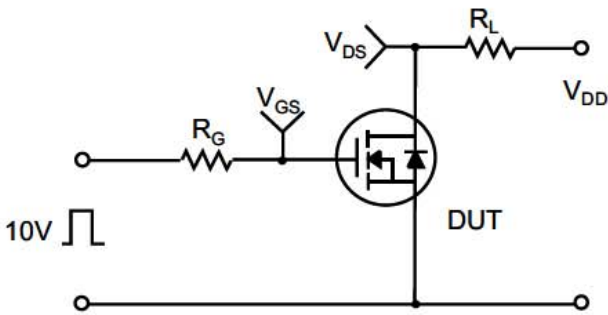


Figure 11. Transient Thermal Response Curve

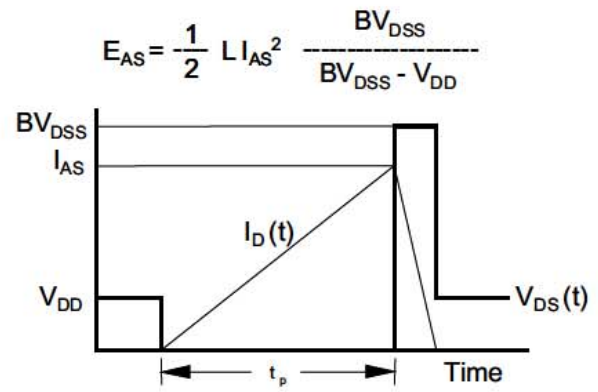
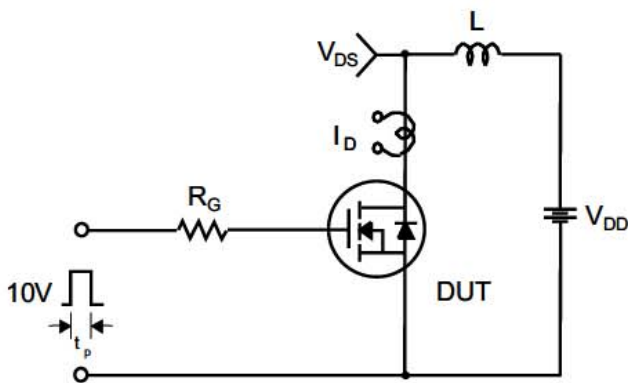
Gate Charge Test Circuit & Waveform



Resistive Switching Test Circuit & Waveforms



Unclamped Inductive Switching Test Circuit & Waveforms



Peak Diode Recovery dv/dt Test Circuit & Waveforms

