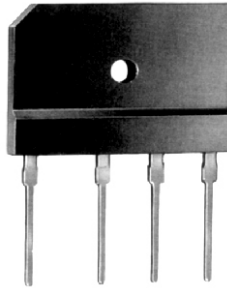


# GBJ/KBJ25A thru GBJ/KBJ25M

## SILICON BRIDGE RECTIFIERS GLASS PASSIVATED BRIDGE RECTIFIERS



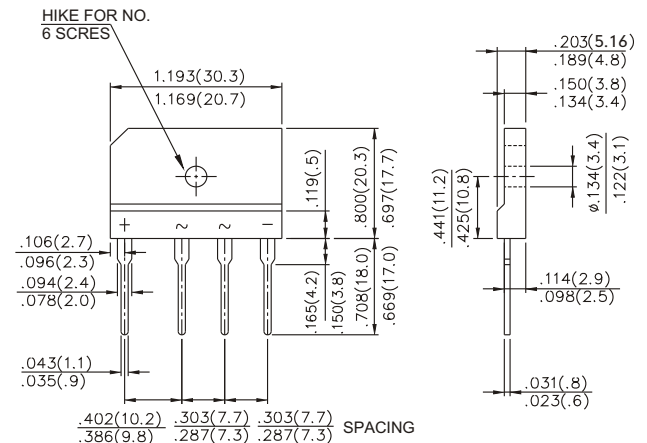
**CHENG-YI  
ELECTRONIC**



### FEATURES

- Rating to 1000V PRV
- Ideal for printed circuit board
- Low forward voltage drop, high current capability
- Reliable low cost construction utilizing molded plastic technique results in inexpensive product
- The plastic material has UL flammability classification 94V-0

REVERSE VOLTAGE -50 to 1000 Volts  
FORWARD CURRENT -25 Amperes



Dimensions in inches and (millimeters)

### MAXIMUM RATINGS AND ELECTRICAL CHARACTERISTICS

Ratings at 25°C ambient temperature unless otherwise specified.  
Single phase, half wave, 60Hz, resistive or inductive load.  
For capacitive load, derate current by 20%.

CHARACTERISTICS	SYMBOL	GBJ KBJ 25A	GBJ KBJ 25B	GBJ KBJ 25D	GBJ KBJ 25G	GBJ KBJ 25J	GBJ KBJ 25K	GBJ KBJ 25M	UNITS	
Maximum Recurrent Peak Reverse Voltage	$V_{RRM}$	50	100	200	400	600	800	1000	V	
Maximum RMS Voltage	$V_{RMS}$	35	70	140	280	420	560	700	V	
Maximum DC Voltage	$V_{DC}$	50	100	200	400	600	800	1000	V	
Maximum Average Forward (with heatsink Note 2) Rectified Current @ $T_C=110^\circ\text{C}$ (without heatsink)	$I_{AV}$	25.0 4.2								A
Peak Forward Surge Current 8.3 ms single half sine-wave superimposed on rated load (JEDEC Method)	$I_{FSM}$	350								A
Maximum Forward Voltage at 12.5A DC	$V_F$	1.05								V
Maximum DC Reverse Current @ $T_J=25^\circ\text{C}$ at rated DC Blocking Voltage @ $T_J=125^\circ\text{C}$	$I_R$	10 500								$\mu\text{A}$
$I^2 t$ Rating for fusing ( $t < 8.3\text{ms}$ )	$I^2 t$	510								$\text{A}^2\text{S}$
Typical Junction Capacitance per element (Note 1)	$C_J$	85								pF
Typical Thermal Resistance (Note 2)	$R_{\theta JC}$	0.6								$^\circ\text{C/W}$
Operating Temperature Range	$T_J$	-55 to +150								$^\circ\text{C}$
Storage Temperature Range	$T_{STG}$	-55 to +150								$^\circ\text{C}$

NOTES: 1. Measured at 1.0MHz and applied reverse voltage of 4.0V DC.  
2. Device mounted on 300mm x 300mm X 1.6mm Cu Plate Heatsink.

# GBJ/KBJ25A thru GBJ/KBJ25M

## SILICON BRIDGE RECTIFIERS GLASS PASSIVATED BRIDGE RECTIFIERS



### RATING AND CHARACTERISTICS CURVES GBJ/KBJ25A THRU GBJ/KBJ25M

