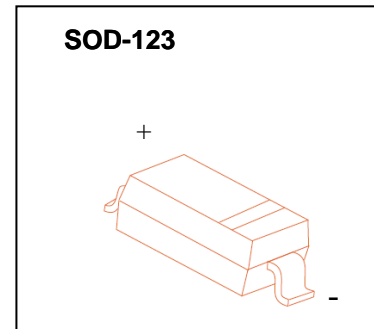


## Schottky Diodes

## BAT43W

## FEATURES

- Low Forward Voltage Drop
- Fast Switching Time
- Surface Mount Package Ideally Suited for Automatic Insertion

Maximum Ratings and Electrical Characteristics, Single Diode @T<sub>A</sub>=25°C

Parameter	Symbol	BAT42W/BAT43W	Unit
Peak Repetitive Peak reverse voltage Working Peak	V <sub>RRM</sub>	30	V
DC Blocking Voltage	V <sub>RWM</sub>		
	V <sub>R</sub>		
RMS Reverse Voltage	V <sub>R(RMS)</sub>	21	V
Forward Continuous Current	I <sub>FM</sub>	200	mA
Repetitive Peak Forward Current @t<1.0s	I <sub>FRM</sub>	500	mA
Peak forward surge current @<10ms	I <sub>FSM</sub>	4.0	A
Power Dissipation	P <sub>D</sub>	500	mW
Thermal Resistance Junction to Ambient	R <sub>θJA</sub>	250	°C/W
Storage temperature	T <sub>STG</sub>	-55~+150	°C

Electrical Ratings @T<sub>A</sub>=25°C

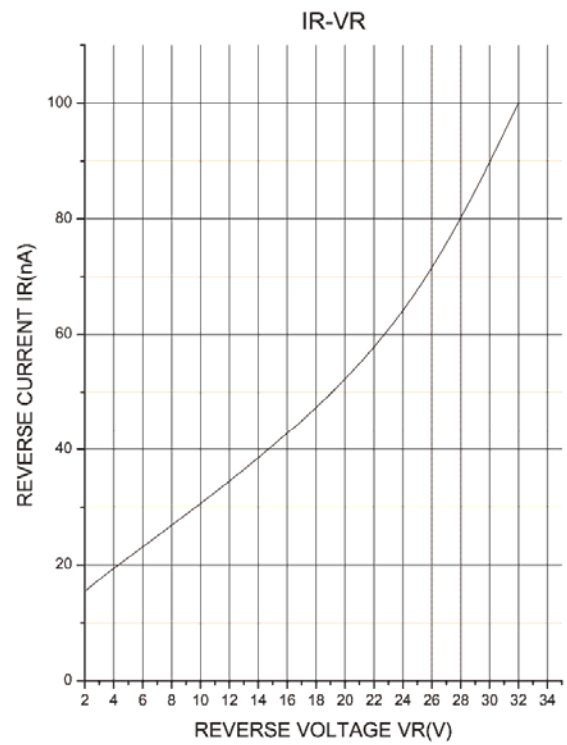
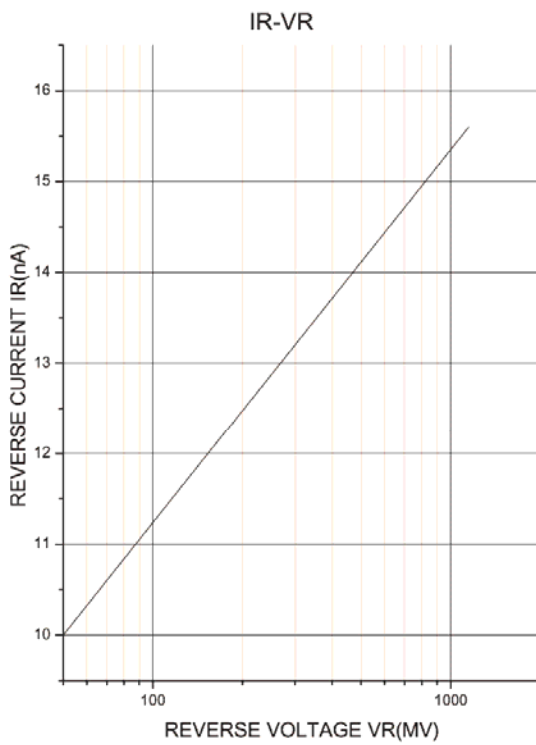
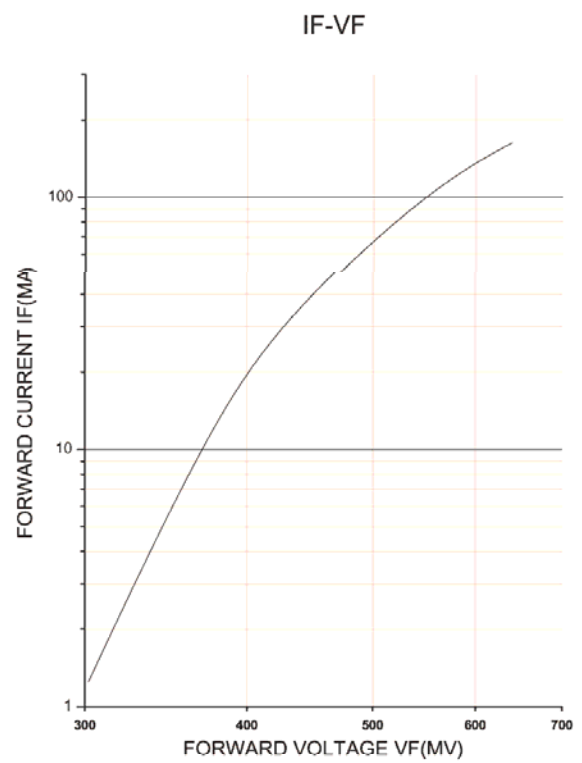
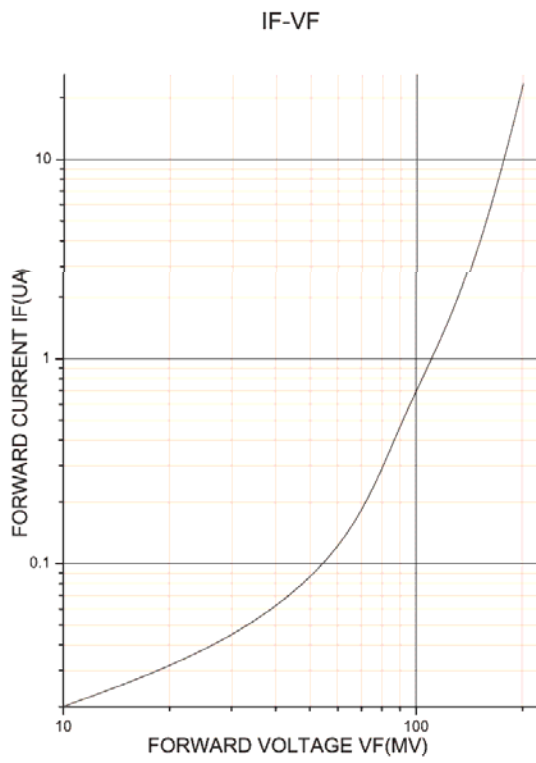
Parameter	Symbol	Min.	Typ.	Max.	Unit	Conditions
Reverse Breakdown Voltage	V <sub>(BR)R</sub>	30			V	I <sub>R</sub> =10μA
Forward voltage	All Types	V <sub>F</sub>		1.0	V	I <sub>F</sub> =200mA
	BAT42W	V <sub>F</sub>		0.4	V	I <sub>F</sub> =10mA
	BAT42W	V <sub>F</sub>		0.65	V	I <sub>F</sub> =50mA
	BAT43W	V <sub>F</sub>	0.26	0.33	V	I <sub>F</sub> =2mA
	BAT43W	V <sub>F</sub>		0.45	V	I <sub>F</sub> =15mA
Reverse current	I <sub>R</sub>			0.5	μA	V <sub>R</sub> =25V
Capacitance between terminals	C <sub>T</sub>			10	pF	V <sub>R</sub> =1.0V, f=1.0MHz
Reverse Recovery Time	t <sub>rr</sub>			5	ns	I <sub>F</sub> =I <sub>R</sub> =10mA I <sub>rr</sub> =0.1X I <sub>R</sub> , R <sub>L</sub> =100Ω

## ■ Marking

Marking	S8
---------	----

Typical Characteristics

BAT42W



Typital Characteristics

BAT43W

