



## Aluminum Capacitors Power Printed Wiring Style



### FEATURES

- Very long useful life: 15 000 h at +85 °C
- High ripple current capability
- High resistance to shock and vibration
- Polarized aluminum electrolytic capacitors, non-solid electrolyte
- Large types, cylindrical aluminum case, insulated
- Provided with keyed polarity
- Material categorization: For definitions of compliance please see [www.vishay.com/doc?99912](http://www.vishay.com/doc?99912)



**RoHS  
COMPLIANT**

### APPLICATIONS

- Computer, telecommunication and industrial systems
- Smoothing and filtering
- Standard and switched mode power supplies
- Energy storage in pulse systems

### MARKING

The capacitors are marked (where possible) with the following information:

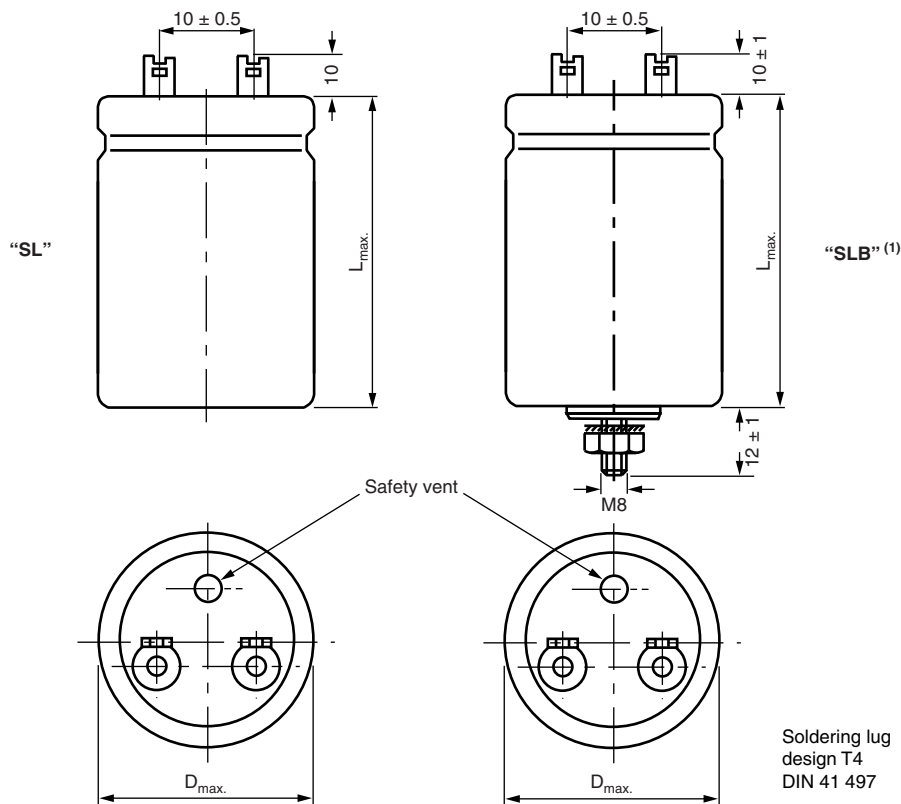
- Rated capacitance (in µF)
- Tolerance on rated capacitance, code letter in accordance with IEC 60062 (Q for -10 %/+30 %)
- Rated voltage (in V)
- Date code (YYMM)
- Name of manufacturer
- Code for factory of origin
- Polarity of the terminals and “-” sign to indicate the negative terminal, visible from the top and/or side of the capacitor
- Code number
- Climatic category in accordance with IEC 60068

QUICK REFERENCE DATA	
DESCRIPTION	VALUE
	≤ 100 V
Nominal case size (Ø D x L in mm)	25 x 30 to 40 x 100
Rated capacitance range (E6 series), C <sub>R</sub>	470 µF to 68 000 µF
Tolerance on C <sub>R</sub>	-10 % to +30 %
Rated voltage range, U <sub>R</sub>	10 V to 100 V
Category temperature range	-40 °C to +85 °C
Endurance test at 85 °C	5000 h
Useful life at 85 °C	15 000 h
Useful life at 40 °C, 1.4 x I <sub>R</sub> applied	200 000 h
Shelf life at 0 V, 85 °C	500 h
Based on sectional specification	IEC 60384-4/EN 130300
Climatic category IEC 60068	40/085/56

SELECTION CHART FOR C <sub>R</sub> , U <sub>R</sub> , AND RELEVANT NOMINAL CASE SIZES (Ø D x L in mm)						
C <sub>R</sub> (µF)	U <sub>R</sub> (V)					
	10	16	25	40	63	100
470	-	-	-	-	-	25 x 30
680	-	-	-	-	-	25 x 40
1000	-	-	-	-	25 x 30	30 x 40
1500	-	-	-	25 x 30	25 x 40	35 x 40
2200	-	-	25 x 30	25 x 40	30 x 40	35 x 50
3300	-	25 x 30	25 x 40	30 x 40	35 x 40	40 x 50
4700	25 x 30	25 x 40	30 x 40	35 x 40	35 x 50	40 x 70
6800	25 x 40	30 x 40	35 x 40	35 x 50	40 x 50	40 x 100
10 000	30 x 40	35 x 40	35 x 50	40 x 50	40 x 70	-
15 000	35 x 40	35 x 50	40 x 50	40 x 70	40 x 100	-
22 000	35 x 50	40 x 50	40 x 70	40 x 100	-	-
33 000	40 x 50	40 x 70	40 x 100	-	-	-
47 000	40 x 70	40 x 100	-	-	-	-
68 000	40 x 100	-	-	-	-	-



**DIMENSIONS** in millimeters **AND AVAILABLE FORMS**



**Note**

(1) The MOQ for SLB-version is 5000 pieces.

<b>DIMENSIONS</b> in millimeters, <b>MASS, AND PACKAGING QUANTITIES</b>					
<b>NOMINAL CASE SIZE Ø D x L</b>	<b>Ø D<sub>max.</sub></b>	<b>L<sub>max.</sub></b>	<b>MASS (g)</b>	<b>PACKAGING QUANTITIES (units per box)</b>	<b>CARDBOARD BOX DIMENSIONS L x W x H</b>
25 x 30	26	32	≈ 24	100	290 x 280 x 50
25 x 40	26	42	≈ 28	100	290 x 280 x 60
30 x 40	31	42	≈ 38	100	340 x 330 x 60
35 x 40	36	42	≈ 51	50	390 x 198 x 60
35 x 50	36	52	≈ 66	50	390 x 198 x 70
40 x 50	41	52	≈ 82	50	440 x 223 x 70
40 x 70	41	72	≈ 110	25	230 x 230 x 90
40 x 100	41	102	≈ 176	25	230 x 230 x 120

**MOUNTING**

When a number of capacitors are connected in a bank, they must not be closer together than 15 mm, when no derating of ripple current and/or temperature is applied.



ELECTRICAL DATA	
SYMBOL	DESCRIPTION
C <sub>R</sub>	Rated capacitance at 100 Hz
I <sub>R</sub>	Rated RMS ripple current at 100 Hz, 85 °C or at 20 kHz, 70 °C
I <sub>L1</sub>	Max. leakage current after 1 min at U <sub>R</sub>
I <sub>L5</sub>	Max. leakage current after 5 min at U <sub>R</sub>
ESR	Max. equivalent series resistance at 100 Hz
Z	Max. impedance at 10 kHz

**Note**

- Unless otherwise specified, all electrical values apply at T<sub>amb</sub> = 20 °C, P = 80 kPa to 120 kPa, RH = 45 % to 75 %.

**ORDERING EXAMPLE**

EY01: 10 000 µF/25 V

Version 01: (no stud mounting)  
Size: 35 mm x 50 mm  
Ordering code: MALLEY01CD510E02W

EY02: 10 000 µF/25 V

Version 02: (stud mounting) <sup>(1)</sup>  
Size: 35 mm x 50 mm  
Ordering code: MALLEY02CD510E01W

**Note**

- <sup>(1)</sup> MOQ for version 02: 5000 pieces.

ELECTRICAL DATA AND ORDERING INFORMATION									
U <sub>R</sub> (V)	C <sub>R</sub> 100 Hz (µF)	NOMINAL CASE SIZE Ø D x L (mm)	I <sub>R</sub> 100 Hz 85 °C (A)	I <sub>R</sub> 20 kHz 70 °C (A)	I <sub>L1</sub> 1 min (mA)	I <sub>L5</sub> 5 min (mA)	ESR 100 Hz (mΩ)	Z 10 kHz (mΩ)	ORDERING CODE
10	4700	25 x 30	2.4	4.6	0.28	0.10	74	50	MALLEY01AV447C02W
	6800	25 x 40	3.2	6.1	0.41	0.14	51	37	MALLEY01AB468C02W
	10 000	30 x 40	3.8	7.2	0.60	0.20	39	29	MALLEY01BB510C02W
	15 000	35 x 40	4.1	7.8	0.90	0.30	35	26	MALLEY01CB515C02W
	22 000	35 x 50	5.0	9.5	1.32	0.44	27	21	MALLEY01CD522C02W
	22 000	40 x 40	4.2	8.0	1.32	0.44	36	27	MALLEY01DB522C02W
	33 000	40 x 50	5.0	9.5	1.98	0.66	29	22	MALLEY01DD533C02W
	47 000	40 x 70	6.8	12.9	2.82	0.94	20	17	MALLEY01DG547C02W
68 000	40 x 100	9.2	17.5	4.08	1.36	15	14	MALLEY01DM568C02W	
16	3300	25 x 30	2.4	4.6	0.32	0.11	75	50	MALLEY01AV433D02W
	4700	25 x 40	3.1	5.9	0.45	0.15	52	37	MALLEY01AB447D02W
	6800	30 x 40	3.7	7.0	0.65	0.22	40	30	MALLEY01BB468D02W
	10 000	35 x 40	4.1	7.8	0.96	0.32	36	27	MALLEY01CB510D02W
	15 000	35 x 50	5.0	9.5	1.44	0.48	28	21	MALLEY01CD515D02W
	15 000	40 x 40	4.2	8.0	1.44	0.48	36	27	MALLEY01DB515D02W
	22 000	40 x 50	5.0	9.5	2.12	0.71	29	22	MALLEY01DD522D02W
	33 000	40 x 70	6.7	12.7	3.17	1.06	20	17	MALLEY01DG533D02W
47 000	40 x 100	9.1	17.3	4.51	1.51	15	14	MALLEY01DM547D02W	
25	2200	25 x 30	2.3	4.4	0.33	0.11	78	52	MALLEY01AV422E02W
	3300	25 x 40	3.1	5.9	0.49	0.17	53	38	MALLEY01AB433E02W
	4700	30 x 40	3.7	7.0	0.70	0.24	42	31	MALLEY01BB447E02W
	6800	35 x 40	4.1	7.8	1.02	0.34	37	28	MALLEY01CB468E02W
	10 000	35 x 50	5.0	9.5	1.50	0.50	28	21	MALLEY01CD510E02W
	10 000	40 x 40	4.2	8.0	1.50	0.50	36	27	MALLEY01DB510E02W
	15 000	40 x 50	5.0	9.5	2.25	0.75	29	22	MALLEY01DD515E02W
	22 000	40 x 70	6.8	12.9	3.30	1.10	20	17	MALLEY01DG522E02W
33 000	40 x 100	9.2	17.5	4.95	1.65	15	14	MALLEY01DM533E02W	
40	1500	25 x 30	2.0	3.8	0.36	0.12	112	68	MALLEY01AV415G02W
	2200	25 x 40	2.7	5.1	0.53	0.18	76	51	MALLEY01AB422G02W
	3300	30 x 40	3.3	6.3	0.79	0.27	57	41	MALLEY01BB433G02W
	4700	35 x 40	3.8	7.2	1.13	0.38	48	35	MALLEY01CB447G02W
	6800	35 x 50	4.7	8.9	1.64	0.55	36	27	MALLEY01CD468G02W
	6800	40 x 40	4.1	7.8	1.64	0.55	45	33	MALLEY01DB468G02W
	10 000	40 x 50	4.9	9.3	2.40	0.80	35	27	MALLEY01DD510G02W
	15 000	40 x 70	6.6	12.5	3.60	1.20	25	20	MALLEY01DG515G02W
22 000	40 x 100	9.0	17.1	5.28	1.76	18	16	MALLEY01DM522G02W	
63	1000	25 x 30	1.8	3.4	0.38	0.13	122	74	MALLEY01AV410J02W
	1500	25 x 40	2.5	4.7	0.57	0.19	83	54	MALLEY01AB415J02W
	2200	30 x 40	3.1	5.9	0.83	0.28	57	41	MALLEY01BB422J02W
	3300	35 x 40	3.6	6.8	1.25	0.42	48	35	MALLEY01CB433J02W
	4700	35 x 50	4.4	8.3	1.78	0.60	36	27	MALLEY01CD447J02W
	4700	40 x 40	3.8	7.2	1.78	0.60	45	33	MALLEY01DB447J02W
	6800	40 x 50	4.7	8.9	2.57	0.86	35	27	MALLEY01DD468J02W
	10 000	40 x 70	6.2	11.8	3.78	1.26	25	20	MALLEY01DG510J02W
15 000	40 x 100	8.5	16.1	5.67	1.89	18	16	MALLEY01DM515J02W	



ELECTRICAL DATA AND ORDERING INFORMATION									
$U_R$ (V)	$C_R$ 100 Hz (μF)	NOMINAL CASE SIZE Ø D x L (mm)	$I_R$ 100 Hz 85 °C (A)	$I_R$ 20 kHz 70 °C (A)	$I_{L1}$ 1 min (mA)	$I_{L5}$ 5 min (mA)	ESR 100 Hz (mΩ)	Z 10 kHz (mΩ)	ORDERING CODE
100	470	25 x 30	1.4	2.7	0.28	0.10	247	172	MALLEY01AV347L02W
	680	25 x 40	1.9	3.6	0.41	0.14	170	116	MALLEY01AB368L02W
	1000	30 x 40	2.5	4.7	0.60	0.20	123	88	MALLEY01BB410L02W
	1500	35 x 40	3.1	5.8	0.90	0.30	94	71	MALLEY01CB415L02W
	2200	35 x 50	3.9	7.4	1.32	0.44	69	55	MALLEY01CD422L02W
	2200	40 x 40	3.6	6.8	1.32	0.44	81	65	MALLEY01DB422L02W
	3300	40 x 50	4.6	8.7	1.98	0.66	59	48	MALLEY01DD433L02W
	4700	40 x 70	6.2	11.7	2.82	0.94	42	36	MALLEY01DG447L02W
	6800	40 x 100	8.2	15.5	4.08	1.36	32	28	MALLEY01DM468L02W

ADDITIONAL ELECTRICAL DATA		
PARAMETER	CONDITIONS	VALUE
<b>Voltage</b>		
Surge voltage	≤ 250 V versions	$U_s = 1.15 \times U_R$
Reverse voltage		$U_{rev} \leq 1 V$
<b>Current</b>		
Leakage current	After 1 minute at $U_R$	$I_{L1} \leq 0.006 C_R \times U_R + 4 \mu A$
	After 5 minutes at $U_R$	$I_{L5} \leq 0.002 C_R \times U_R + 4 \mu A$
<b>Inductance</b>		
Equivalent series inductance (ESL)	Case Ø D = 25 mm	Max. 25 nH
	Case Ø D = 30 mm and 35 mm	Max. 30 nH
	Case Ø D = 40 mm	Max. 35 nH

**LIFETIME TABLE** Rated voltage: ≤ 100 V

INTERRELATION BETWEEN ALTERNATING CURRENT, AMBIENT TEMPERATURE, AND LIFETIME																
$I/I_R$ (frequency dependent)						SURFACE TEMPERATURE RISE $\Delta T_0$ (°C)	LIFETIME MULTIPLIER (depending on $I/I_R$ and $T_{amb}$ )									
FREQUENCY (Hz)							AMBIENT TEMPERATURE $T_{amb}$ (°C)									
50	100	250	500	1000	> 2500		40	45	50	55	60	65	70	75	80	85
0.19	0.20	0.21	0.22	0.22	0.23	0.2	63	40	26	17	11	7.3	5.0	3.4	2.3	1.63
0.38	0.40	0.42	0.43	0.45	0.47	0.7	55	35	23	15	9.9	6.7	4.5	3.1	2.2	1.51
0.56	0.60	0.63	0.65	0.67	0.70	1.5	45	29	19	13	8.5	5.7	3.9	2.7	1.9	1.33
0.75	0.80	0.84	0.86	0.89	0.94	2.5	35	23	15	10	6.9	4.7	3.3	2.3	1.6	1.13
0.94	1.00	1.05	1.08	1.12	1.17	3.8	26	17	12	7.9	5.4	3.7	2.6	1.8	1.3	1.00
1.13	1.20	1.26	1.29	1.34	1.41	5.4	18	13	8.6	5.9	4.1	2.9	2.0	1.4	1.0	
1.31	1.40	1.47	1.51	1.56	1.64	7.4	13	8.7	6.1	4.2	3.0	2.1	1.5	1.1		
1.50	1.60	1.68	1.72	1.79	1.87	9.6	8.3	5.9	4.2	3.0	2.1	1.5	1.1			
1.69	1.80	1.89	1.94	2.01	2.11	12	5.4	3.9	2.8	2.0	1.4	1.0				
1.88	2.00	2.10	2.15	2.23	2.34	15	3.4	2.5	1.8	1.3						
2.06	2.20	2.30	2.37	2.45	2.58	18	2.1	1.5	1.1							
2.25	2.40	2.51	2.58	2.68	2.81	21	1.2									

**Notes**

- $I_R$  100 Hz alternating current (A) at upper category temperature  $T_{UC}$  taken from datasheet
- $I$  User current (A)
- $T_{amb}$  Ambient temperature of capacitor (°C)
- $\Delta T_0$  Surface temperature rise of capacitor caused by AC load (°C)
- $L$  Lifetime multiplier



## Disclaimer

ALL PRODUCT, PRODUCT SPECIFICATIONS AND DATA ARE SUBJECT TO CHANGE WITHOUT NOTICE TO IMPROVE RELIABILITY, FUNCTION OR DESIGN OR OTHERWISE.

Vishay Intertechnology, Inc., its affiliates, agents, and employees, and all persons acting on its or their behalf (collectively, "Vishay"), disclaim any and all liability for any errors, inaccuracies or incompleteness contained in any datasheet or in any other disclosure relating to any product.

Vishay makes no warranty, representation or guarantee regarding the suitability of the products for any particular purpose or the continuing production of any product. To the maximum extent permitted by applicable law, Vishay disclaims (i) any and all liability arising out of the application or use of any product, (ii) any and all liability, including without limitation special, consequential or incidental damages, and (iii) any and all implied warranties, including warranties of fitness for particular purpose, non-infringement and merchantability.

Statements regarding the suitability of products for certain types of applications are based on Vishay's knowledge of typical requirements that are often placed on Vishay products in generic applications. Such statements are not binding statements about the suitability of products for a particular application. It is the customer's responsibility to validate that a particular product with the properties described in the product specification is suitable for use in a particular application. Parameters provided in datasheets and / or specifications may vary in different applications and performance may vary over time. All operating parameters, including typical parameters, must be validated for each customer application by the customer's technical experts. Product specifications do not expand or otherwise modify Vishay's terms and conditions of purchase, including but not limited to the warranty expressed therein.

Except as expressly indicated in writing, Vishay products are not designed for use in medical, life-saving, or life-sustaining applications or for any other application in which the failure of the Vishay product could result in personal injury or death. Customers using or selling Vishay products not expressly indicated for use in such applications do so at their own risk. Please contact authorized Vishay personnel to obtain written terms and conditions regarding products designed for such applications.

No license, express or implied, by estoppel or otherwise, to any intellectual property rights is granted by this document or by any conduct of Vishay. Product names and markings noted herein may be trademarks of their respective owners.