

IEC Appliance Inlet C20, Screw-on Mounting, Rear Side, PCB Terminal



C20



70 °C

**Description**

- Panel Mount:
- Screw-on mounting, from rear-side
- Appliance Inlet, Pin temperature 70 °C, Protection class I
- For PCB mounting

Approvals

- UL License Number: E96454
- CSA License Number: 27324

Technical Data

Ratings IEC	16A / 250VAC; 50Hz
Ratings UL/CSA	21A / 250VAC; 60Hz
Dielectric Strength	> 3 kVAC between L-N > 1.5 kVAC between L/N-PE (1 min/50Hz)
Allowable Operation Temp.	-25 °C to 70 °C
Degree of Protection	from front side IP 20 acc. to IEC 60529
Protection Class	Suitable for appliances with protection class 1 acc. to IEC 61140
Terminal	For PCB mounting Solder terminal straight

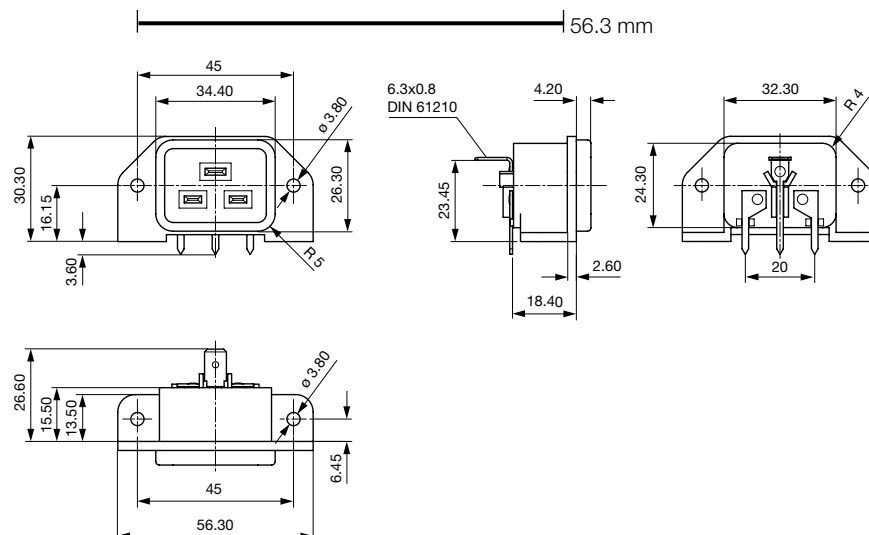
References

[General Product Information](#)

Weblinks

[Approvals](#), [RoHS](#), [CHINA-RoHS](#), [Mating Connectors](#), [Distributor-Stock-Check](#), [Accessories](#)

Appliance Inlet	C20 acc. to IEC/EN 60320-1 UL 498, CSA C22.2 no. 42 (for cold conditions) pin-temperature 70 °C, 16A, Protection Class 1
-----------------	---

Dimensions

Length of the terminal please find at the order code configuration table

Config. Code

Product Configurator


1601 - H - A B C 0 - D - E I

The characters are placeholders for the correspondingly keys of selections from the key tables.

1601 - H - A B C 0 - D - E I = Type

Type	Configuration key
protection class 1	X

1601 - H - A B C 0 - D - E I = Terminals

Terminal L	Configuration key
PCB-terminal (standard) 	4

1601 - H - A B C 0 - D - E I = Terminals

Terminal N	Configuration key
PCB-terminal (standard)	4

Symbols similar as in table A

1601 - H - A B C 0 - D - E I = Terminals

Terminal Ground	Configuration key
PCB-terminal (long)	6

Symbols similar as in table A

1601 - H - A B C 0 - D - E I = Color

Color	Configuration key
jet black; RAL9005	A
silver grey; RAL7001	B
pure white; RAL9010	D
standard color: black	

1601 - H - A B C 0 - D - E I = Style

Style	Configuration key
flange with through holes	2
flange with through holes (special type)	7

1601 - H - A B C 0 - D - E I = Additional Terminals

Additional Terminals	Configuration key
without terminal	0
blade terminal (6,3x0,8mm)	9

Variants

Config. Code	Description	Order Number
1601-X-4460-A-29	1601, IEC Appliance Inlet C20, 70°C1, L: PCB-terminal (standard), N: PCB-terminal (standard), ground: PCB-terminal (long), color: jet black; RAL9005, design: flange with through holes, additional terminal L: blade terminal (6,3x0,8mm)	6163.0018
1601-X-4460-A-20	1601, IEC Appliance Inlet C20, 70°C1, L: PCB-terminal (standard), N: PCB-terminal (standard), ground: PCB-terminal (long), color: jet black; RAL9005, design: flange with through holes, additional terminal L: without terminal	6163.0019

The listed variants should be available from stock. Other versions on request www.schurter.com/contact

Packaging unit

50 Pcs

Mating Outlets/Connectors

Category / Description

[Connector Overview complete](#)

IEC Connector C19, Rewireable, Straight	0104
IEC Connector C19, Rewireable, Angled	1651
IEC Connector C19, Rewireable, Straight	1652
IEC Connector C19, Rewireable, Angled	4790
IEC Connector C19, Rewireable, Straight	4795

[Connector further types to 1601](#)



[Power Cord Overview complete](#)

Power Cord with IEC Connector C19, Straight

1654

[Power Cord further types to 1601](#)

[Power Supply or Interconnection Cord Overview complete](#)

Divers Power Supply and Interconnection Cords 16 A

6003.0395

Divers Power Supply and Interconnection Cords 16 A

6009.5195

[Power Supply or Interconnection Cord further types to 1601](#)