

SANYO	No. 3232A	LA5528N, 5528NM
		Low-Voltage DC Motor Speed Controllers

Especially suited for controlling speed of a low-voltage (3V min.) DC motor for cassette tape recorders, 8mm motion-picture cameras, record players

Features

- Wide operating voltage range
LA5528N : 1.8 to 10V
LA5528NM : 1.8 to 6V
- Easy to vary speed
- Large starting torque
- Easy to control rotational speed from very low speed to high speed

Maximum Ratings at Ta = 25°C

Parameter	Symbol	LA5528N	LA5528NM	unit
Maximum Supply Voltage	V _{CC} max	12.0	8.0	V
Allowable Power Dissipation	Pd max	1.0	0.3	W
		0.3	0.3	W
Operating Temperature	T _{opr}	-20 to +80		°C
Storage Temperature	T _{stg}	-40 to +150		°C
Motor Current	I _m	1000	700	mA
		700	700	mA

Operating Conditions at Ta = 25°C

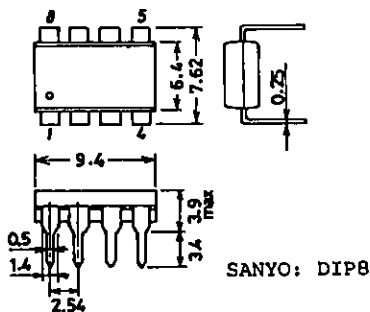
Parameter	Symbol	LA5528N	LA5528NM	unit
Recommended Supply Voltage	V _{CC}	1.8 to 10	1.8 to 6	V
Recommended Operating Temperature	T _{opg}	-10 to +60		°C

Operating Characteristics at Ta = 25°C

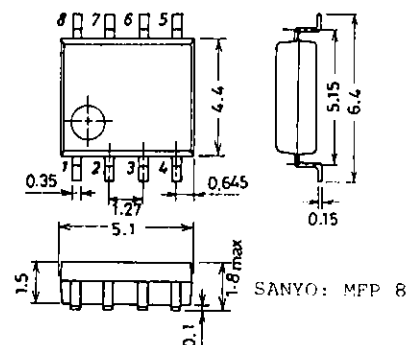
Parameter	Symbol	Condition	min	typ	max	unit
Reference Voltage	V _{ref}	V _{CC} = 3V, I _m = 100mA	1.15	1.25	1.3	V
Quiescent Current Dissipation	I _d	V _{CC} = 3V, I _m = 100mA		3.0	6.0	mA
Shunt Ratio	K	V _{CC} = 3V, I _m = 50 - 150mA	45	50	55	

Continued on next page.

Package Dimensions 3001B (unit: mm) [LA5528N]



Package Dimensions 3232B (unit: mm) [LA5528NM]

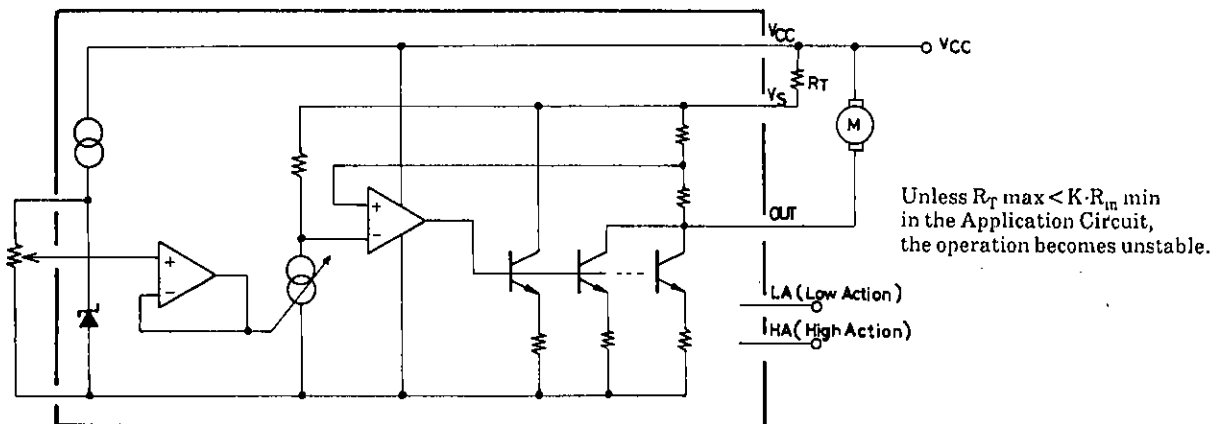


LA5528N,5528NM

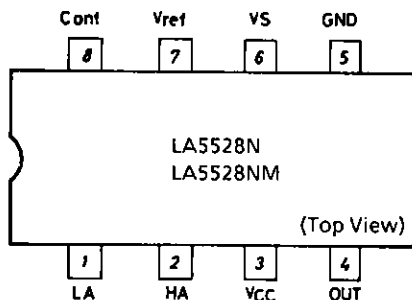
Continued from preceding page.

			min	typ	max	unit
Residual Voltage	V_{sat}	$V_{CC}=3V, I_m=200mA, V_{ref}=V_{cont}$		0.3	0.5	V
Voltage Characteristic of Reference Voltage	$\frac{\Delta V_{ref}}{V_{ref}} / \Delta V_{CC}$	LA5528N: $V_{CC}=1.8$ to $10V, I_m=100mA$ LA5528NM: $V_{CC}=1.8$ to $6V, I_m=100mA$		0.1	0.3	%/V
Voltage Characteristic of Shunt Ratio	$\frac{\Delta K}{K} / \Delta V_{CC}$	LA5528N: $V_{CC}=1.8$ to $10V, I_m=50-150mA$ LA5528NM: $V_{CC}=1.8$ to $6V, I_m=50-150mA$		0.25	0.5	%/V
Current Characteristic of Reference Voltage	$\frac{\Delta V_{ref}}{V_{ref}} / \Delta I_m$	$I_m=20$ to $200mA, V_{CC}=3V$		0.005	0.01	%/mA
Current Characteristic of Shunt Ratio	$\frac{\Delta K}{K} / \Delta I_m$	$I_m=20-50mA$ to $170-200mA, V_{CC}=3V$	-0.02	-0.005	0.02	%/mA
Temperature Characteristic of Reference Voltage	$\frac{\Delta V_{ref}}{V_{ref}} / \Delta T_a$	$V_{CC}=3V, I_m=100mA, T_a=-20$ to $+80^\circ C$		0.02		%/°C
Temperature Characteristic of Shunt Ratio	$\frac{\Delta K}{K} / \Delta T_a$	$V_{CC}=3V, I_m=50-150mA, T_a=-20$ to $+80^\circ C$	-0.002			%/°C
Bias Current at OFF-State	$I_{(st)}$	$V_{CC}=3V, R_L=100\Omega$		0.4	30	μA
HA ON-State Voltage	$V_{H(on)}$	$V_{CC}=3V, I_m=100mA$	1.8		V_{CC}	V
LA ON-State Voltage	$V_{L(on)}$	$V_{CC}=3V, I_m=100mA$	0		1.0	V

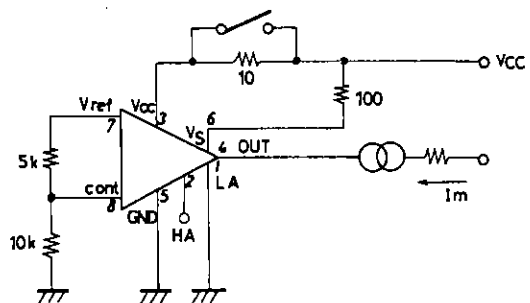
Equivalent Circuit Block Diagram



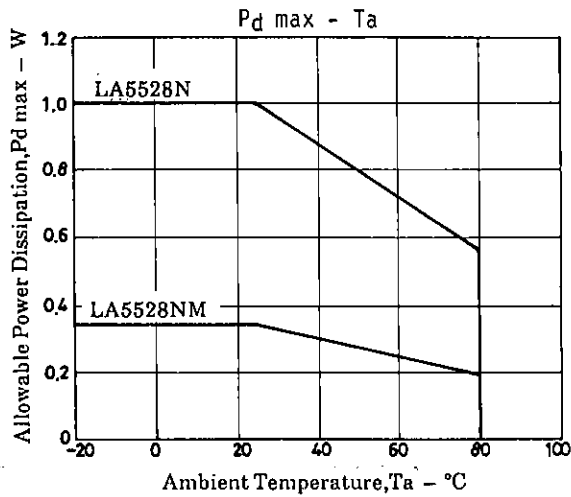
Pin Assignment



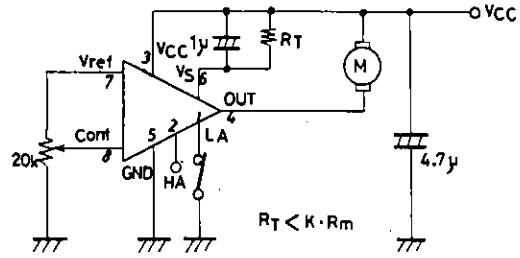
Test Circuit



Unit (resistance: Ω)



Application Circuit



■ No products described or contained herein are intended for use in surgical implants, life-support systems, aerospace equipment, nuclear power control systems, vehicles, disaster/crime-prevention equipment and the like, the failure of which may directly or indirectly cause injury, death or property loss.

■ Anyone purchasing any products described or contained herein for an above-mentioned use shall:

- ① Accept full responsibility and indemnify and defend SANYO ELECTRIC CO., LTD., its affiliates, subsidiaries and distributors and all their officers and employees, jointly and severally, against any and all claims and litigation and all damages, cost and expenses associated with such use;
- ② Not impose any responsibility for any fault or negligence which may be cited in any such claim or litigation on SANYO ELECTRIC CO., LTD., its affiliates, subsidiaries and distributors or any of their officers and employees jointly or severally.

■ Information (including circuit diagrams and circuit parameters) herein is for example only; it is not guaranteed for volume production. SANYO believes information herein is accurate and reliable, but no guarantees are made or implied regarding its use or any infringements of intellectual property rights or other rights of third parties.