



LC75804E, LC75804W

1/3, 1/4 Duty LCD Display Drivers with Key Input Function



Overview

The LC75804E and LC75804W are 1/3 duty and 1/4 duty LCD display drivers that can directly drive up to 300 segments and can control up to eight general-purpose output ports. These products also incorporate a key scan circuit that accepts input from up to 30 keys to reduce printed circuit board wiring.

Features

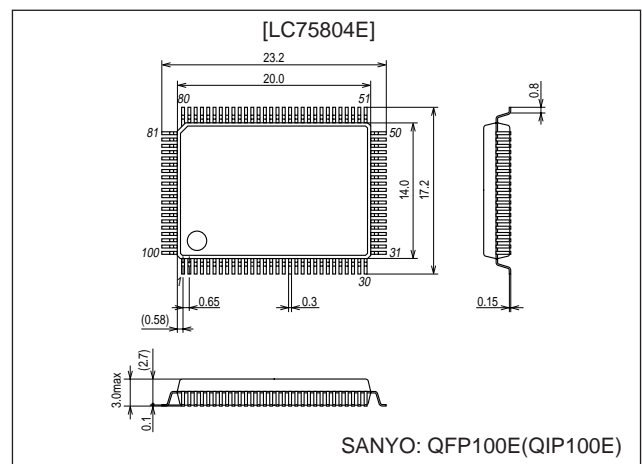
- Key input function for up to 30 keys (A key scan is performed only when a key is pressed.)
- 1/3 duty and 1/4 duty drive schemes can be controlled from serial data.
- 1/2 bias and 1/3 bias drive schemes can be controlled from serial data.
- Capable of driving up to 228 segments using 1/3 duty and up to 300 segments using 1/4 duty.
- Sleep mode and all segments off functions that are controlled from serial data.
- Segment output port/general-purpose output port function switching that is controlled from serial data.
- Serial data I/O supports CCB format communication with the system controller.
- Direct display of display data without the use of a decoder provides high generality.
- Independent V_{LCD} for the LCD driver block (V_{LCD} can be set to in the range $V_{DD} - 0.5$ to 6.0 volts.)
- Provision of an on-chip voltage-detection type reset circuit prevents incorrect displays.
- RES pin provided for forcibly initializing the IC internal circuits.
- RC oscillator circuit.

- CCB is a trademark of SANYO ELECTRIC CO., LTD.
- CCB is SANYO's original bus format and all the bus addresses are controlled by SANYO.

Package Dimensions

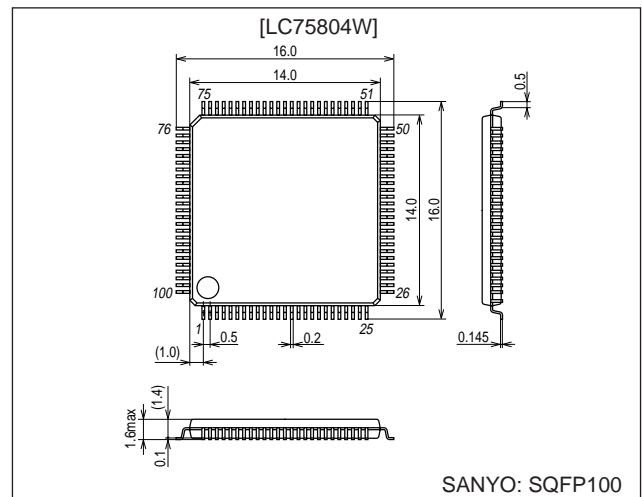
unit: mm

3151A-QFP100E



unit: mm

3181C-SQFP100



■ Any and all SANYO products described or contained herein do not have specifications that can handle applications that require extremely high levels of reliability, such as life-support systems, aircraft's control systems, or other applications whose failure can be reasonably expected to result in serious physical and/or material damage. Consult with your SANYO representative nearest you before using any SANYO products described or contained herein in such applications.

■ SANYO assumes no responsibility for equipment failures that result from using products at values that exceed, even momentarily, rated values (such as maximum ratings, operating condition ranges, or other parameters) listed in products specifications of any and all SANYO products described or contained herein.

SANYO Electric Co.,Ltd. Semiconductor Company

TOKYO OFFICE Tokyo Bldg., 1-10, 1 Chome, Ueno, Taito-ku, TOKYO, 110-8534 JAPAN

LC75804E, LC75804W

Specifications

Absolute Maximum Ratings at $T_a=25^\circ\text{C}$, $V_{SS}=0\text{V}$

| Parameter | Symbol | Conditions | Ratings | Unit |
|-----------------------------|----------------------|---|-------------------------|------------------|
| Maximum supply voltage | $V_{DD\text{ max}}$ | V_{DD} | -0.3 to +7.0 | V |
| | $V_{LCD\text{ max}}$ | V_{LCD} | -0.3 to +7.0 | |
| Input voltage | V_{IN1} | CE, CL, DI, $\overline{\text{RES}}$ | -0.3 to +7.0 | V |
| | V_{IN2} | OSC, TEST | -0.3 to $V_{DD} + 0.3$ | |
| | V_{IN3} | V_{LCD1} , V_{LCD2} , KI1 to KI5 | -0.3 to $V_{LCD} + 0.3$ | |
| Output voltage | V_{OUT1} | DO | -0.3 to +7.0 | V |
| | V_{OUT2} | OSC | -0.3 to $V_{DD} + 0.3$ | |
| | V_{OUT3} | S1 to S76, COM1 to COM4, KS1 to KS6, P1 to P8 | -0.3 to $V_{LCD} + 0.3$ | |
| Output current | I_{OUT1} | S1 to S76 | 300 | μA |
| | I_{OUT2} | COM1 to COM4 | 3 | mA |
| | I_{OUT3} | KS1 to KS6 | 1 | |
| | I_{OUT4} | P1 to P8 | 5 | |
| Allowable power dissipation | $P_{d\text{ max}}$ | $T_a = 85^\circ\text{C}$ | 200 | mW |
| Operating temperature | T_{opr} | | -40 to +85 | $^\circ\text{C}$ |
| Storage temperature | T_{stg} | | -55 to +125 | $^\circ\text{C}$ |

Allowable Operating Ranges at $T_a = -40$ to $+85^\circ\text{C}$, $V_{SS}=0\text{V}$

| Parameter | Symbol | Conditions | Ratings | | | Unit |
|----------------------------------|----------------|--|----------------|---------------|--------------|---------------|
| | | | min | typ | max | |
| Supply voltage | V_{DD} | V_{DD} | 4.5 | | 6.0 | V |
| | V_{LCD} | V_{LCD} | $V_{DD} - 0.5$ | | 6.0 | |
| Input voltage | V_{LCD1} | V_{LCD1} | | $2/3 V_{LCD}$ | V_{LCD} | V |
| | V_{LCD2} | V_{LCD2} | | $1/3 V_{LCD}$ | V_{LCD} | |
| Input high level voltage | V_{IH1} | CE, CL, DI, $\overline{\text{RES}}$ | $0.8 V_{DD}$ | | 6.0 | V |
| | V_{IH2} | KI1 to KI5 | $0.6 V_{DD}$ | | V_{LCD} | |
| Input low level voltage | V_{IL} | CE, CL, DI, $\overline{\text{RES}}$, KI1 to KI5 | 0 | | $0.2 V_{DD}$ | V |
| Recommended external resistance | R_{OSC} | OSC | | 39 | | k Ω |
| Recommended external capacitance | C_{OSC} | OSC | | 1000 | | pF |
| Guaranteed oscillator range | f_{OSC} | OSC | 19 | 38 | 76 | kHz |
| Data setup time | t_{ds} | CL, DI | :Figure 2 | 160 | | ns |
| Data hold time | t_{dh} | CL, DI | :Figure 2 | 160 | | ns |
| CE wait time | t_{cp} | CE, CL | :Figure 2 | 160 | | ns |
| CE setup time | t_{cs} | CE, CL | :Figure 2 | 160 | | ns |
| CE hold time | t_{ch} | CE, CL | :Figure 2 | 160 | | ns |
| High level clock pulse width | $t_{\theta H}$ | CL | :Figure 2 | 160 | | ns |
| Low level clock pulse width | $t_{\theta L}$ | CL | :Figure 2 | 160 | | ns |
| Rise time | t_r | CE, CL, DI | :Figure 2 | | 160 | ns |
| Fall time | t_f | CE, CL, DI | :Figure 2 | | 160 | ns |
| DO output delay time | t_{dc} | DO $R_{PU}=4.7\text{ k}\Omega$, $C_L=10\text{ pF}$ *1 | :Figure 2 | | 1.5 | μs |
| DO rise time | t_{dr} | DO $R_{PU}=4.7\text{ k}\Omega$, $C_L=10\text{ pF}$ *1 | :Figure 2 | | 1.5 | μs |

Note: *1. Since DO is an open-drain output, these values depend on the resistance of the pull-up resistor R_{PU} and the load capacitance C_L .

LC75804E, LC75804W

Electrical Characteristics for the Allowable Operating Ranges

| Parameter | Symbol | Conditions | Ratings | | | Unit |
|--------------------------------|------------|---|---------------------|-----------------|---------------------|------------|
| | | | min | typ | max | |
| Hysteresis | V_H | CE, CL, DI, RES, KI1 to KI5 | | $0.1 V_{DD}$ | | V |
| Power-down detection voltage | V_{DET} | | 2.5 | 3.0 | 3.5 | V |
| Input high level current | I_{IH} | CE, CL, DI, RES: $V_I = 6.0$ V | | | 5.0 | μ A |
| Input low level current | I_{IL} | CE, CL, DI, RES: $V_I = 0$ V | -5.0 | | | μ A |
| Input floating voltage | V_{IF} | KI1 to KI5 | | | $0.05 V_{DD}$ | V |
| Pull-down resistance | R_{PD} | KI1 to KI5: $V_{DD} = 5.0$ V | 50 | 100 | 250 | k Ω |
| Output off leakage current | I_{OFFH} | DO: $V_O = 6.0$ V | | | 6.0 | μ A |
| Output high level voltage | V_{OH1} | KS1 to KS6: $I_O = -500$ μ A | $V_{LCD} - 1.0$ | $V_{LCD} - 0.5$ | $V_{LCD} - 0.2$ | V |
| | V_{OH2} | P1 to P8: $I_O = -1$ mA | $V_{LCD} - 1.0$ | | | |
| | V_{OH3} | S1 to S76: $I_O = -20$ μ A | $V_{LCD} - 1.0$ | | | |
| | V_{OH4} | COM1 to COM4: $I_O = -100$ μ A | $V_{LCD} - 1.0$ | | | |
| Output low level voltage | V_{OL1} | KS1 to KS6: $I_O = 25$ μ A | 0.2 | 0.5 | 1.5 | V |
| | V_{OL2} | P1 to P8: $I_O = 1$ mA | | | 1.0 | |
| | V_{OL3} | S1 to S76: $I_O = 20$ μ A | | | 1.0 | |
| | V_{OL4} | COM1 to COM4: $I_O = 100$ μ A | | | 1.0 | |
| | V_{OL5} | DO: $I_O = 1$ mA | | 0.1 | 0.5 | |
| Output middle level voltage *2 | V_{MID1} | COM1 to COM4: 1/2 bias, $I_O = \pm 100$ μ A | $1/2 V_{LCD} - 1.0$ | | $1/2 V_{LCD} + 1.0$ | V |
| | V_{MID2} | S1 to S76: 1/3 bias, $I_O = \pm 20$ μ A | $2/3 V_{LCD} - 1.0$ | | $2/3 V_{LCD} + 1.0$ | |
| | V_{MID3} | S1 to S76: 1/3 bias, $I_O = \pm 20$ μ A | $1/3 V_{LCD} - 1.0$ | | $1/3 V_{LCD} + 1.0$ | |
| | V_{MID4} | COM1 to COM4: 1/3 bias, $I_O = \pm 100$ μ A | $2/3 V_{LCD} - 1.0$ | | $2/3 V_{LCD} + 1.0$ | |
| | V_{MID5} | COM1 to COM4: 1/3 bias, $I_O = \pm 100$ μ A | $1/3 V_{LCD} - 1.0$ | | $1/3 V_{LCD} + 1.0$ | |
| Oscillator frequency | fosc | OSC: $R_{OSC} = 39$ k Ω , $C_{OSC} = 1000$ pF | 30.4 | 38 | 45.6 | kHz |
| Current drain | I_{DD1} | V_{DD} : Sleep mode | | | 100 | μ A |
| | I_{DD2} | V_{DD} : $V_{DD} = 6.0$ V, output open, fosc = 38 kHz | | 270 | 540 | |
| | I_{LCD1} | V_{LCD} : Sleep mode | | | 5 | |
| | I_{LCD2} | V_{LCD} : $V_{LCD} = 6.0$ V, output open, 1/2 bias, fosc = 38 kHz | | 200 | 400 | |
| | I_{LCD3} | V_{LCD} : $V_{LCD} = 6.0$ V, output open, 1/3 bias, fosc = 38 kHz | | 120 | 240 | |

Nete: *2. Excluding the bias voltage generation divider resistor built into V_{LCD1} and V_{LCD2} . (See Figure 1.)

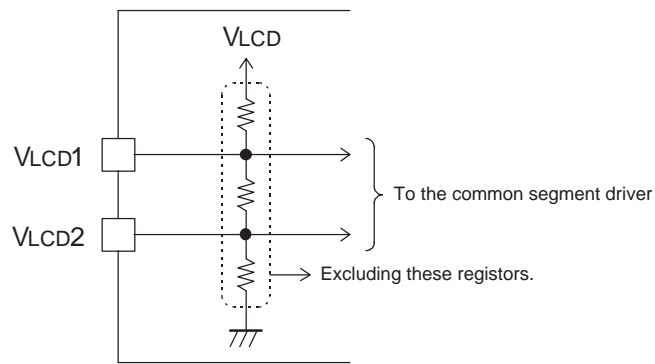
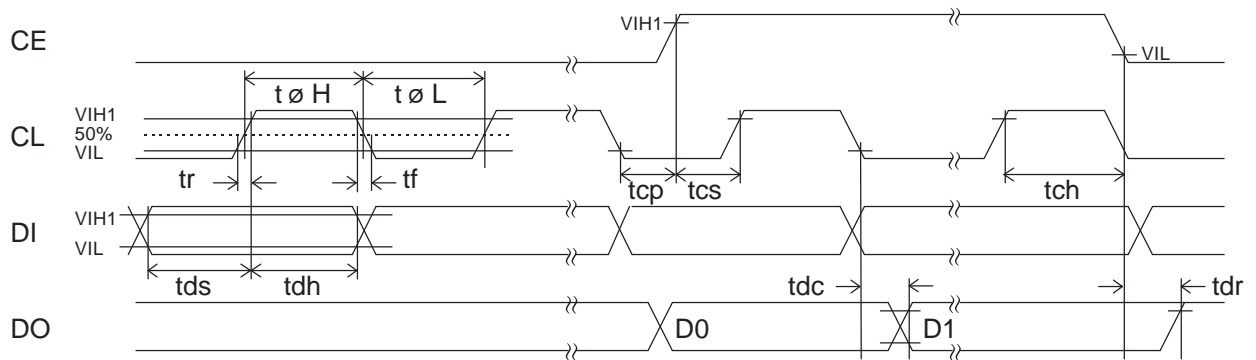


Figure 1

1. When CL is stopped at the low level



2. When CL is stopped at the high level

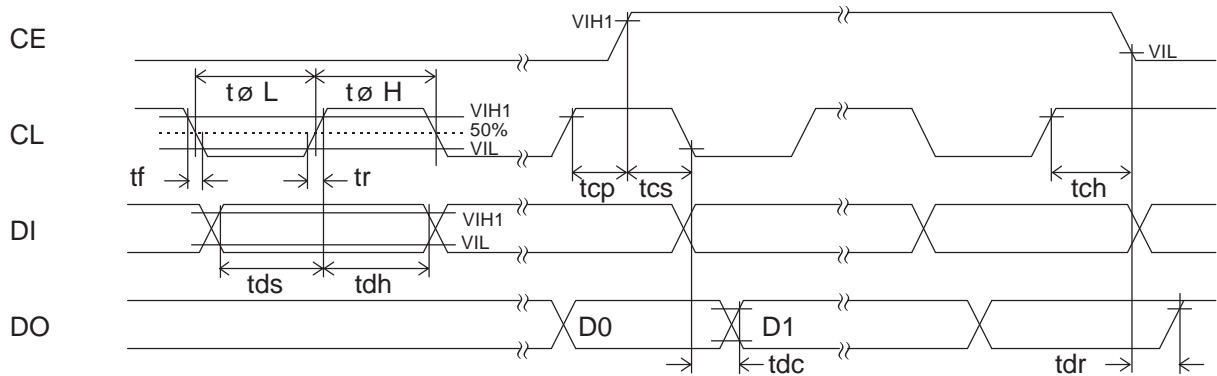
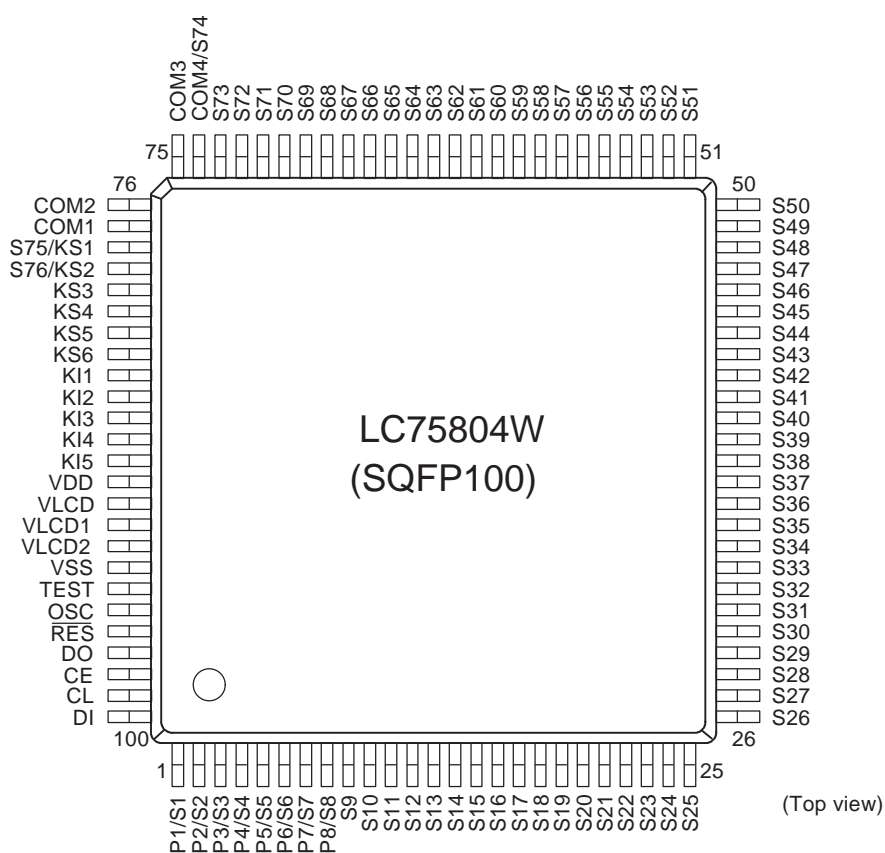
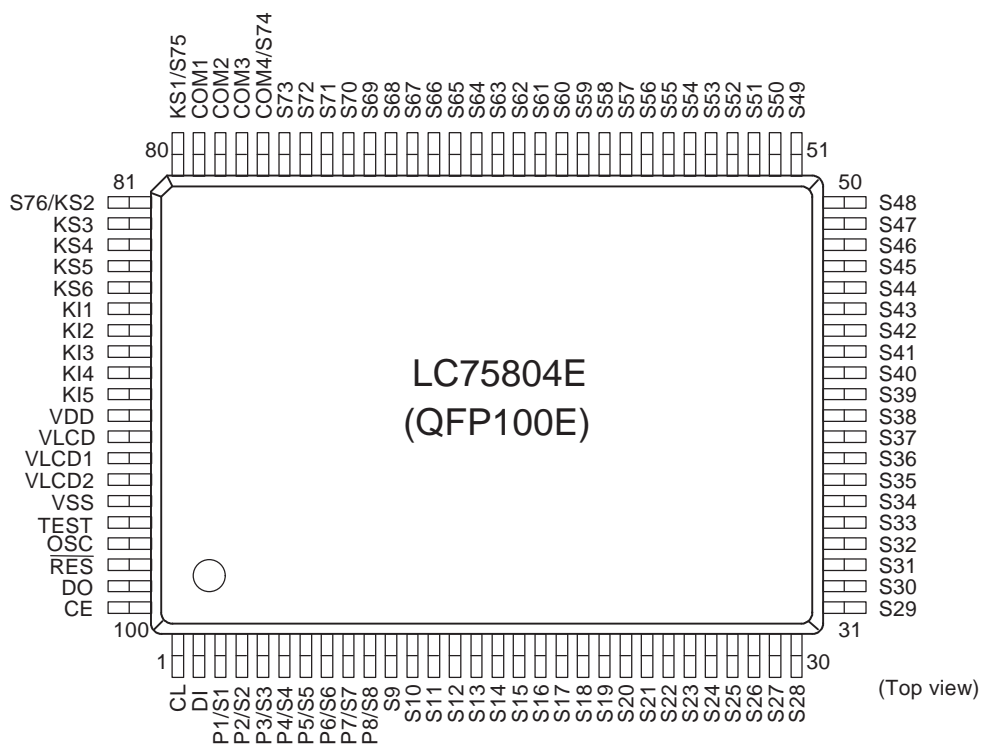


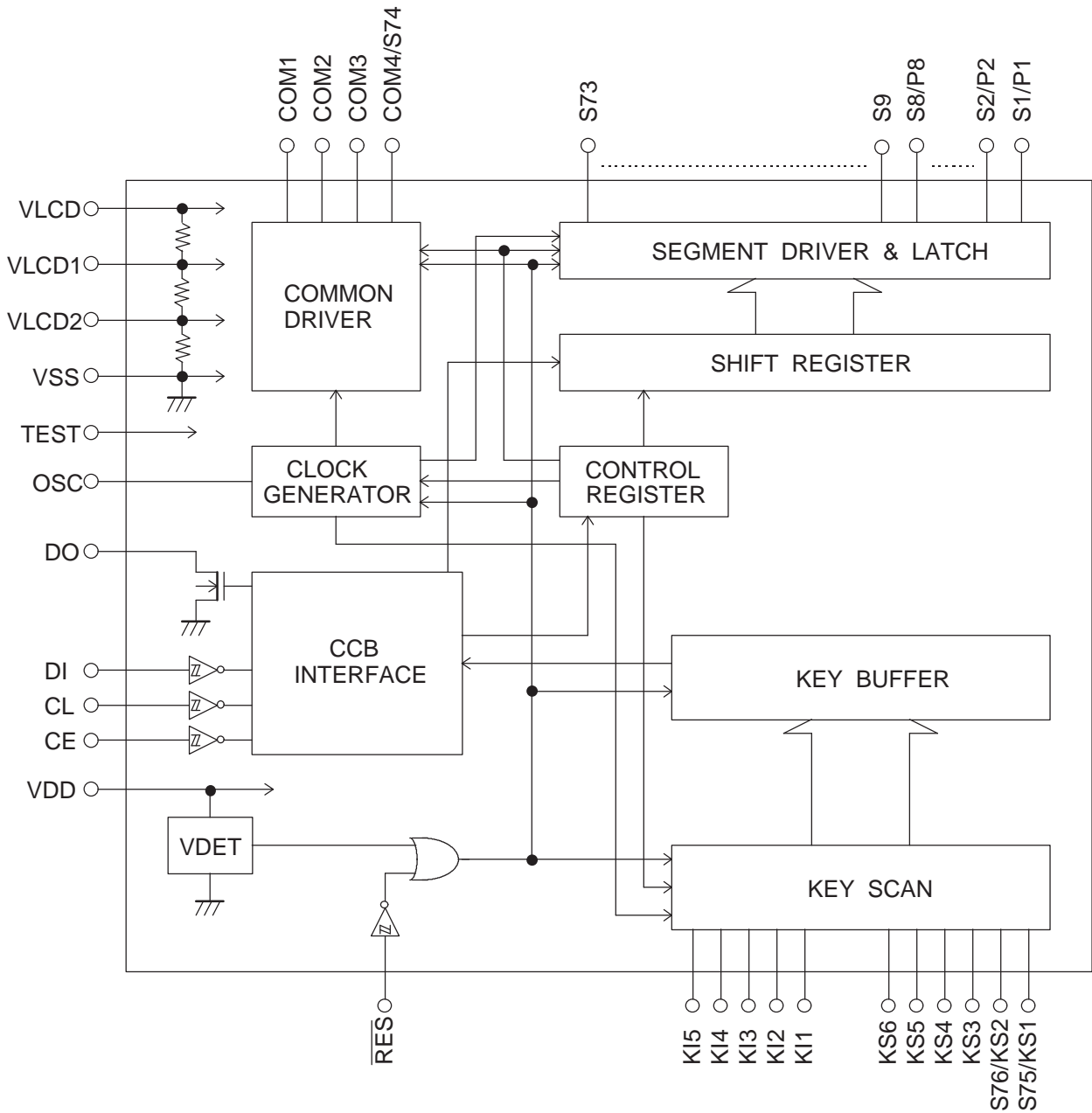
Figure 2

LC75804E, LC75804W

Pin Assignments




Block Diagram



LC75804E, LC75804W

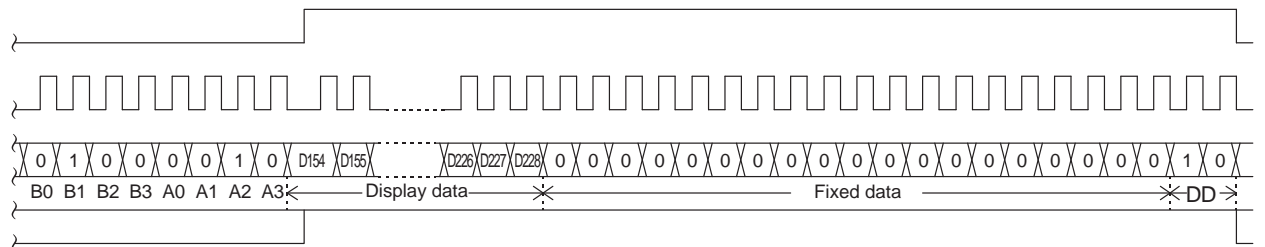
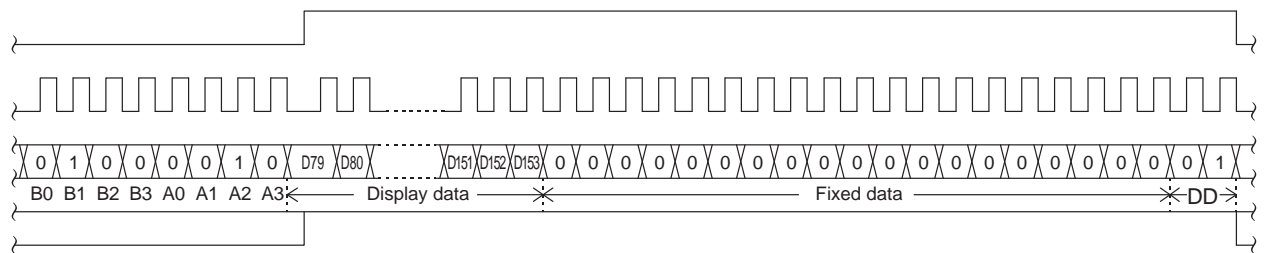
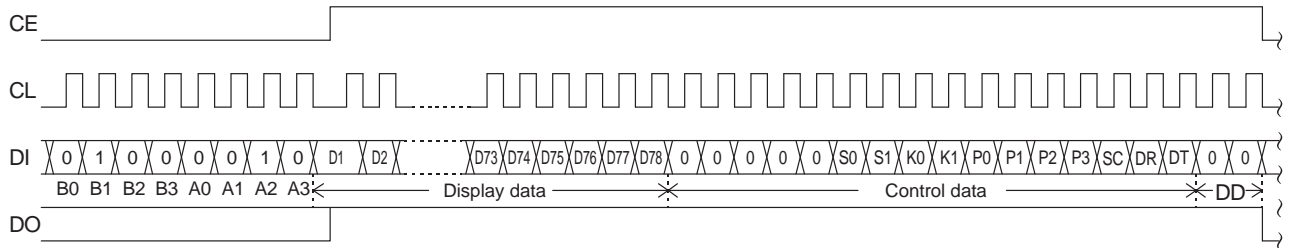
Pin Functions

| Pin | Pin No. | | Function | Active | I/O | Handling when unused |
|----------------------------------|----------------------|-----------------------|---|---|------------------|----------------------|
| | LC75804E | LC75804W | | | | |
| S1/P1 to S8/P8 S9 to S73 | 3 to 10 11 to 75 | 1 to 8 9 to 73 | Segment outputs for displaying the display data transferred by serial data input. The S1/P1 to S8/P8 pins can be used as general-purpose output ports under serial data control. | — | ○ | OPEN |
| COM1 COM2 COM3 COM4/S74 | 79 78 77 76 | 77 76 75 74 | Common driver outputs The frame frequency f_o is given by : $f_o = (f_{OSC}/384)$ Hz. The COM4/S74 pin can be used as a segment output in 1/3 duty. | — | ○ | OPEN |
| KS1/S75 KS2/S76 KS3 to KS6 | 80 81 82 to 85 | 78 79 80 to 83 | Key scan outputs Although normal key scan timing lines require diodes to be inserted in the timing lines to prevent shorts, since these outputs are unbalanced CMOS transistor outputs, these outputs will not be damaged by shorting when these outputs are used to form a key matrix. The KS1/S75 and KS2/S76 pins can be used as segment outputs when so specified by the control data. | — | ○ | OPEN |
| KI1 to KI5 | 86 to 90 | 84 to 88 | Key scan inputs These pins have built-in pull-down resistors. | H | I | GND |
| OSC | 97 | 95 | Oscillator connection An oscillator circuit is formed by connecting an external resistor and capacitor at this pin. | — | I/O | V _{DD} |
| CE CL DI DO | 100 1 2 99 | 98 99 100 97 | Serial data interface connections to the controller. Note that DO, being an open-drain output, requires a pull-up resistor. CE :Chip enable CL :Synchronization clock DI :Transfer data DO :Output data | H  — — | I I I O | GND GND OPEN |
| $\overline{\text{RES}}$ | 98 | 96 | Reset signal input RES = low.....Display off Key scan disabled All key data is reset to low RES = high.....Display on Key scan enabled However, serial data can be transferred when $\overline{\text{RES}}$ is low. | L | I | V _{DD} |
| TEST | 96 | 94 | This pin must be connected to ground. | — | I | — |
| V _{LCD1} | 93 | 91 | Used for applying the LCD drive 2/3 bias voltage externally. Must be connected to V _{LCD2} when a 1/2 bias drive scheme is used. | — | I | OPEN |
| V _{LCD2} | 94 | 92 | Used for applying the LCD drive 1/3 bias voltage externally. Must be connected to V _{LCD1} when a 1/2 bias drive scheme is used. | — | I | OPEN |
| V _{DD} | 91 | 89 | Logic block power supply connection. Provide a voltage of between 4.5 and 6.0V. | — | — | — |
| V _{LCD} | 92 | 90 | LCD driver block power supply connection. Provide a voltage of between V _{DD} – 0.5 and 6.0V. | — | — | — |
| V _{SS} | 95 | 93 | Power supply connection. Connect to ground. | — | — | — |

Serial Data Input

1. 1/3 duty

① When CL is stopped at the low level

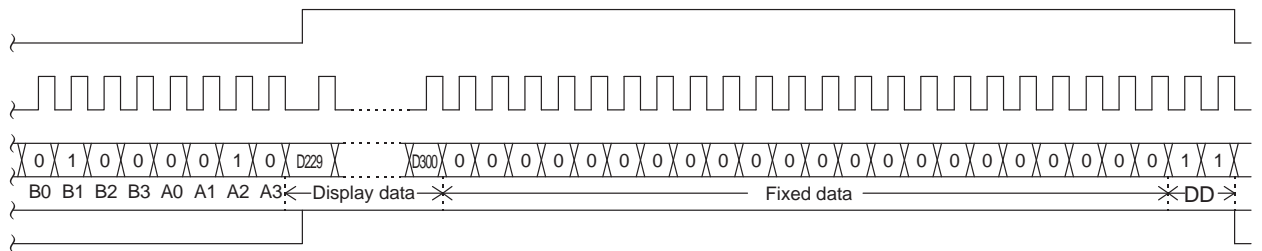
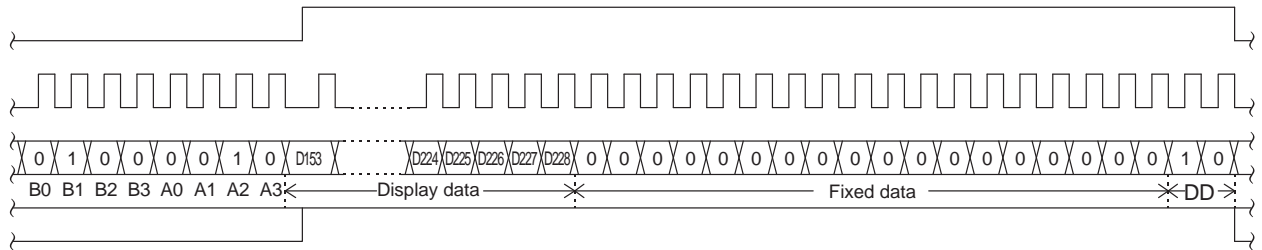
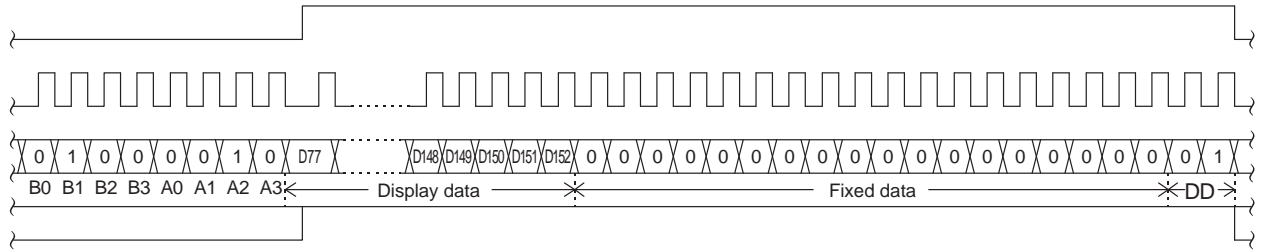
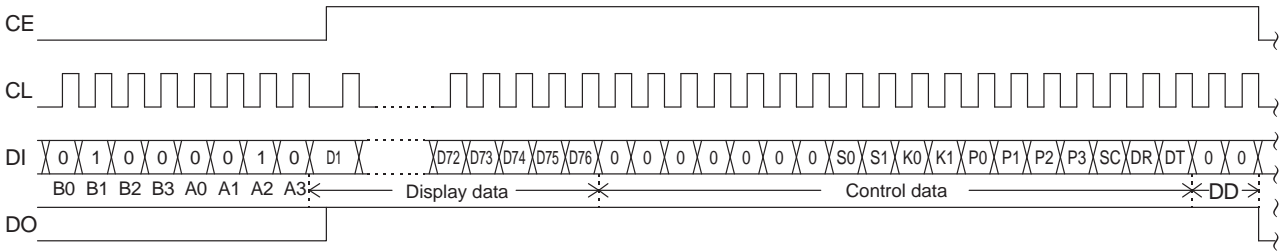


Note: B0 to B3, A0 to A3 CCB address
 DD Direction data

LC75804E, LC75804W

2. 1/4duty

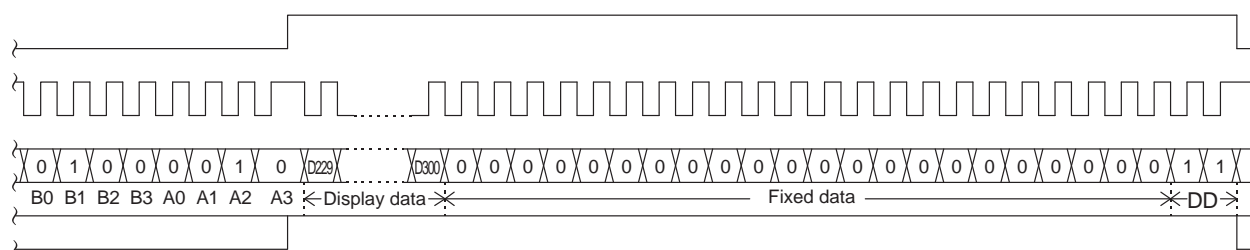
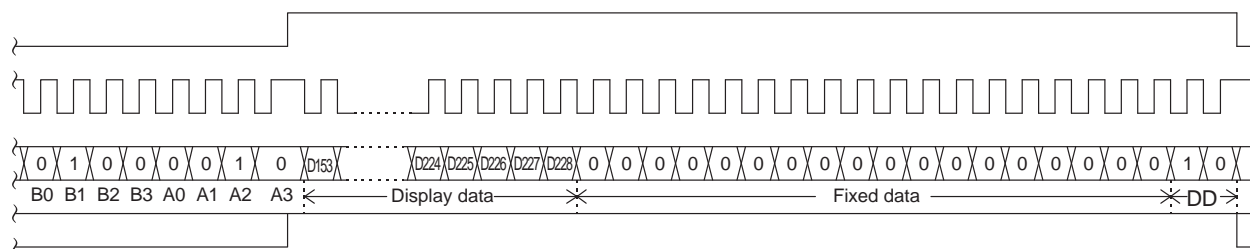
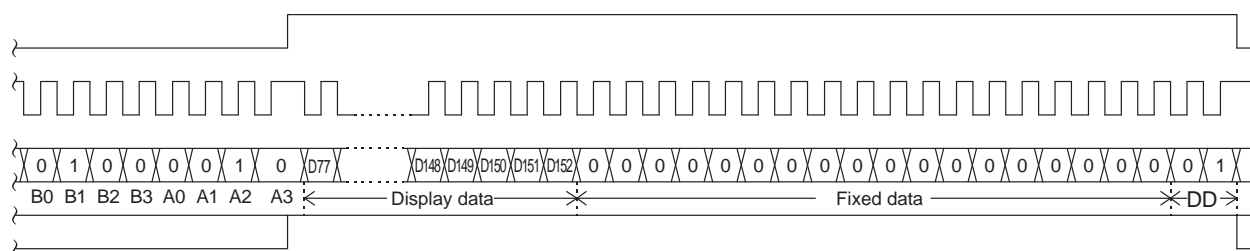
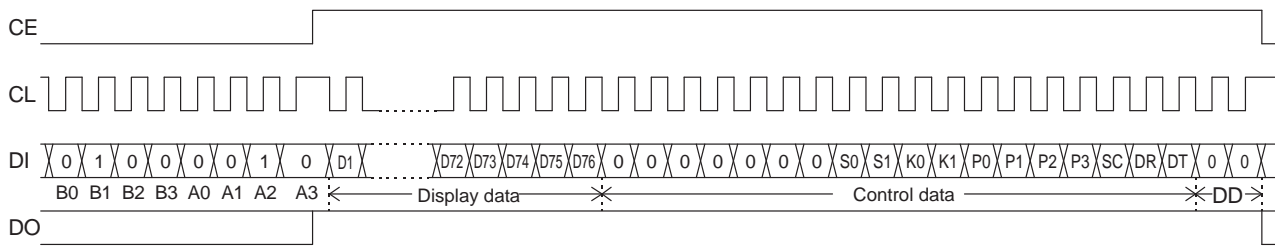
① When CL is stopped at the low level



Note: B0 to B3, A0 to A3 CCB address
 DD..... Direction data

LC75804E, LC75804W

② When CL is stopped at the high level



Note: B0 to B3, A0 to A3 CCB address
 DD Direction data

- CCB address 42H
- D1 to D300 Display data
- S0, S1 Sleep control data
- K0, K1 Key scan output/segment output selection data
- P0 to P3 Segment output port/general-purpose output port selection data
- SC Segment on/off control data
- DR 1/2 bias or 1/3 bias drive selection data
- DT 1/3 duty or 1/4 duty drive selection data

Control Data Functions

1. S0, S1 : Sleep control data

These control data bits switch between normal mode and sleep mode and set the states of the KS1 to KS6 key scan outputs during key scan standby.

| Control data | | Mode | OSC oscillator | Segment outputs Common outputs | Output pin states during key scan standby | | | | | |
|--------------|----|--------|----------------|-----------------------------------|---|-----|-----|-----|-----|-----|
| S0 | S1 | | | | KS1 | KS2 | KS3 | KS4 | KS5 | KS6 |
| 0 | 0 | Normal | Operating | Operating | H | H | H | H | H | H |
| 0 | 1 | Sleep | Stopped | L | L | L | L | L | L | H |
| 1 | 0 | Sleep | Stopped | L | L | L | L | H | H | H |
| 1 | 1 | Sleep | Stopped | L | H | H | H | H | H | H |

Note: This assumes that the KS1/S75 and KS2/S76 output pins are selected for key scan output.

2. K0, K1 : Key scan output /segment output selection data

These control data bits switch the functions of the KS1/S75 and KS2/S76 output pins between key scan output and segment output.

| Control data | | Output pin state | | Maximum number of input keys |
|--------------|----|------------------|---------|---------------------------------|
| K0 | K1 | KS1/S75 | KS2/S76 | |
| 0 | 0 | KS1 | KS2 | 30 |
| 0 | 1 | S75 | KS2 | 25 |
| 1 | X | S75 | S76 | 20 |

X: don't care

Note: KSn(n = 1 or 2) : Key scan output
Sn (n = 75 or 76): Segment output

3. P0 to P3 : Segment output port/general-purpose output port selection data

These control data bits switch the functions of the S1/P1 to S8/P8 output pins between the segment output port and the general-purpose output port.

| Control data | | | | Output pin state | | | | | | | |
|--------------|----|----|----|------------------|-------|-------|-------|-------|-------|-------|-------|
| P0 | P1 | P2 | P3 | S1/P1 | S2/P2 | S3/P3 | S4/P4 | S5/P5 | S6/P6 | S7/P7 | S8/P8 |
| 0 | 0 | 0 | 0 | S1 | S2 | S3 | S4 | S5 | S6 | S7 | S8 |
| 0 | 0 | 0 | 1 | P1 | S2 | S3 | S4 | S5 | S6 | S7 | S8 |
| 0 | 0 | 1 | 0 | P1 | P2 | S3 | S4 | S5 | S6 | S7 | S8 |
| 0 | 0 | 1 | 1 | P1 | P2 | P3 | S4 | S5 | S6 | S7 | S8 |
| 0 | 1 | 0 | 0 | P1 | P2 | P3 | P4 | S5 | S6 | S7 | S8 |
| 0 | 1 | 0 | 1 | P1 | P2 | P3 | P4 | P5 | S6 | S7 | S8 |
| 0 | 1 | 1 | 0 | P1 | P2 | P3 | P4 | P5 | P6 | S7 | S8 |
| 0 | 1 | 1 | 1 | P1 | P2 | P3 | P4 | P5 | P6 | P7 | S8 |
| 1 | 0 | 0 | 0 | P1 | P2 | P3 | P4 | P5 | P6 | P7 | P8 |

Note: Sn(n=1 to 8): Segment output port
Pn(n=1 to 8): General-purpose output port

The table below lists the correspondence between the display data and the output pins when these pins are selected to be general-purpose output ports.

| Output pin | Corresponding display data | |
|------------|----------------------------|----------|
| | 1/3 duty | 1/4 duty |
| S1/P1 | D1 | D1 |
| S2/P2 | D4 | D5 |
| S3/P3 | D7 | D9 |
| S4/P4 | D10 | D13 |
| S5/P5 | D13 | D17 |
| S6/P6 | D16 | D21 |
| S7/P7 | D19 | D25 |
| S8/P8 | D22 | D29 |

For example, if the circuit is operated in 1/4 duty and the S4/P4 output pin is selected to be a general-purpose output port, the S4/P4 output pin will output a high level (V_{LCD}) when the display data D13 is 1, and will output a low level (V_{SS}) when D13 is 0.

LC75804E, LC75804W

4. SC : Segment on/off control data

This control data bit controls the on/off state of the segments.

| SC | Display state |
|----|---------------|
| 0 | on |
| 1 | off |

However, note that when the segments are turned off by setting SC to 1, the segments are turned off by outputting segment off waveforms from the segment output pins.

5. DR : 1/2 bias or 1/3 bias drive selection data

This control data bit switches between LCD 1/2 bias or 1/3 bias drive.

| DR | Bias drive scheme |
|----|-------------------|
| 0 | 1/3 bias drive |
| 1 | 1/2 bias drive |

6. DT : 1/3 duty or 1/4 duty drive selection data

This control data bit switches between LCD 1/3 duty or 1/4 duty drive.

| DT | Duty drive scheme | Output pin state (COM4/S74) |
|----|-------------------|-----------------------------|
| 0 | 1/4 duty drive | COM4 |
| 1 | 1/3 duty drive | S74 |

Note: COM4: Common output
S74 : Segment output

Display Data and Output Pin Correspondence

1. 1/3 duty

| Output pin | COM1 | COM2 | COM3 | Output pin | COM1 | COM2 | COM3 | Output pin | COM1 | COM2 | COM3 |
|------------|------|------|------|------------|------|------|------|------------|------|------|------|
| S1/P1 | D1 | D2 | D3 | S27 | D79 | D80 | D81 | S53 | D157 | D158 | D159 |
| S2/P2 | D4 | D5 | D6 | S28 | D82 | D83 | D84 | S54 | D160 | D161 | D162 |
| S3/P3 | D7 | D8 | D9 | S29 | D85 | D86 | D87 | S55 | D163 | D164 | D165 |
| S4/P4 | D10 | D11 | D12 | S30 | D88 | D89 | D90 | S56 | D166 | D167 | D168 |
| S5/P5 | D13 | D14 | D15 | S31 | D91 | D92 | D93 | S57 | D169 | D170 | D171 |
| S6/P6 | D16 | D17 | D18 | S32 | D94 | D95 | D96 | S58 | D172 | D173 | D174 |
| S7/P7 | D19 | D20 | D21 | S33 | D97 | D98 | D99 | S59 | D175 | D176 | D177 |
| S8/P8 | D22 | D23 | D24 | S34 | D100 | D101 | D102 | S60 | D178 | D179 | D180 |
| S9 | D25 | D26 | D27 | S35 | D103 | D104 | D105 | S61 | D181 | D182 | D183 |
| S10 | D28 | D29 | D30 | S36 | D106 | D107 | D108 | S62 | D184 | D185 | D186 |
| S11 | D31 | D32 | D33 | S37 | D109 | D110 | D111 | S63 | D187 | D188 | D189 |
| S12 | D34 | D35 | D36 | S38 | D112 | D113 | D114 | S64 | D190 | D191 | D192 |
| S13 | D37 | D38 | D39 | S39 | D115 | D116 | D117 | S65 | D193 | D194 | D195 |
| S14 | D40 | D41 | D42 | S40 | D118 | D119 | D120 | S66 | D196 | D197 | D198 |
| S15 | D43 | D44 | D45 | S41 | D121 | D122 | D123 | S67 | D199 | D200 | D201 |
| S16 | D46 | D47 | D48 | S42 | D124 | D125 | D126 | S68 | D202 | D203 | D204 |
| S17 | D49 | D50 | D51 | S43 | D127 | D128 | D129 | S69 | D205 | D206 | D207 |
| S18 | D52 | D53 | D54 | S44 | D130 | D131 | D132 | S70 | D208 | D209 | D210 |
| S19 | D55 | D56 | D57 | S45 | D133 | D134 | D135 | S71 | D211 | D212 | D213 |
| S20 | D58 | D59 | D60 | S46 | D136 | D137 | D138 | S72 | D214 | D215 | D216 |
| S21 | D61 | D62 | D63 | S47 | D139 | D140 | D141 | S73 | D217 | D218 | D219 |
| S22 | D64 | D65 | D66 | S48 | D142 | D143 | D144 | COM4/S74 | D220 | D221 | D222 |
| S23 | D67 | D68 | D69 | S49 | D145 | D146 | D147 | KS1/S75 | D223 | D224 | D225 |
| S24 | D70 | D71 | D72 | S50 | D148 | D149 | D150 | KS2/S76 | D226 | D227 | D228 |
| S25 | D73 | D74 | D75 | S51 | D151 | D152 | D153 | | | | |
| S26 | D76 | D77 | D78 | S52 | D154 | D155 | D156 | | | | |

Note: This is for the case where the output pins S1/P1 to S8/P8, COM4/S74, KS1/S75 and KS2/S76 are selected for use as segment outputs.

LC75804E, LC75804W

For example, the table below lists the segment output states for the S11 output pin.

| Display data | | | Output pin state (S11) |
|--------------|-----|-----|---|
| D31 | D32 | D33 | |
| 0 | 0 | 0 | The LCD segments for COM1, COM2 and COM3 are off. |
| 0 | 0 | 1 | The LCD segment for COM3 is on. |
| 0 | 1 | 0 | The LCD segment for COM2 is on. |
| 0 | 1 | 1 | The LCD segments for COM2 and COM3 are on. |
| 1 | 0 | 0 | The LCD segment for COM1 is on. |
| 1 | 0 | 1 | The LCD segments for COM1 and COM3 are on. |
| 1 | 1 | 0 | The LCD segments for COM1 and COM2 are on. |
| 1 | 1 | 1 | The LCD segments for COM1, COM2 and COM3 are on. |

2. 1/4 duty

| Output pin | COM1 | COM2 | COM3 | COM4 |
|------------|------|------|------|------|
| S1/P1 | D1 | D2 | D3 | D4 |
| S2/P2 | D5 | D6 | D7 | D8 |
| S3/P3 | D9 | D10 | D11 | D12 |
| S4/P4 | D13 | D14 | D15 | D16 |
| S5/P5 | D17 | D18 | D19 | D20 |
| S6/P6 | D21 | D22 | D23 | D24 |
| S7/P7 | D25 | D26 | D27 | D28 |
| S8/P8 | D29 | D30 | D31 | D32 |
| S9 | D33 | D34 | D35 | D36 |
| S10 | D37 | D38 | D39 | D40 |
| S11 | D41 | D42 | D43 | D44 |
| S12 | D45 | D46 | D47 | D48 |
| S13 | D49 | D50 | D51 | D52 |
| S14 | D53 | D54 | D55 | D56 |
| S15 | D57 | D58 | D59 | D60 |
| S16 | D61 | D62 | D63 | D64 |
| S17 | D65 | D66 | D67 | D68 |
| S18 | D69 | D70 | D71 | D72 |
| S19 | D73 | D74 | D75 | D76 |
| S20 | D77 | D78 | D79 | D80 |
| S21 | D81 | D82 | D83 | D84 |
| S22 | D85 | D86 | D87 | D88 |
| S23 | D89 | D90 | D91 | D92 |
| S24 | D93 | D94 | D95 | D96 |
| S25 | D97 | D98 | D99 | D100 |
| S26 | D101 | D102 | D103 | D104 |
| S27 | D105 | D106 | D107 | D108 |
| S28 | D109 | D110 | D111 | D112 |
| S29 | D113 | D114 | D115 | D116 |
| S30 | D117 | D118 | D119 | D120 |
| S31 | D121 | D122 | D123 | D124 |
| S32 | D125 | D126 | D127 | D128 |
| S33 | D129 | D130 | D131 | D132 |
| S34 | D133 | D134 | D135 | D136 |
| S35 | D137 | D138 | D139 | D140 |
| S36 | D141 | D142 | D143 | D144 |
| S37 | D145 | D146 | D147 | D148 |
| S38 | D149 | D150 | D151 | D152 |

| Output pin | COM1 | COM2 | COM3 | COM4 |
|------------|------|------|------|------|
| S39 | D153 | D154 | D155 | D156 |
| S40 | D157 | D158 | D159 | D160 |
| S41 | D161 | D162 | D163 | D164 |
| S42 | D165 | D166 | D167 | D168 |
| S43 | D169 | D170 | D171 | D172 |
| S44 | D173 | D174 | D175 | D176 |
| S45 | D177 | D178 | D179 | D180 |
| S46 | D181 | D182 | D183 | D184 |
| S47 | D185 | D186 | D187 | D188 |
| S48 | D189 | D190 | D191 | D192 |
| S49 | D193 | D194 | D195 | D196 |
| S50 | D197 | D198 | D199 | D200 |
| S51 | D201 | D202 | D203 | D204 |
| S52 | D205 | D206 | D207 | D208 |
| S53 | D209 | D210 | D211 | D212 |
| S54 | D213 | D214 | D215 | D216 |
| S55 | D217 | D218 | D219 | D220 |
| S56 | D221 | D222 | D223 | D224 |
| S57 | D225 | D226 | D227 | D228 |
| S58 | D229 | D230 | D231 | D232 |
| S59 | D233 | D234 | D235 | D236 |
| S60 | D237 | D238 | D239 | D240 |
| S61 | D241 | D242 | D243 | D244 |
| S62 | D245 | D246 | D247 | D248 |
| S63 | D249 | D250 | D251 | D252 |
| S64 | D253 | D254 | D255 | D256 |
| S65 | D257 | D258 | D259 | D260 |
| S66 | D261 | D262 | D263 | D264 |
| S67 | D265 | D266 | D267 | D268 |
| S68 | D269 | D270 | D271 | D272 |
| S69 | D273 | D274 | D275 | D276 |
| S70 | D277 | D278 | D279 | D280 |
| S71 | D281 | D282 | D283 | D284 |
| S72 | D285 | D286 | D287 | D288 |
| S73 | D289 | D290 | D291 | D292 |
| KS1/S75 | D293 | D294 | D295 | D296 |
| KS2/S76 | D297 | D298 | D299 | D300 |

Note: This is for the case where the output pins S1/P1 to S8/P8, KS1/S75 and KS2/S76 are selected for use as segment outputs.

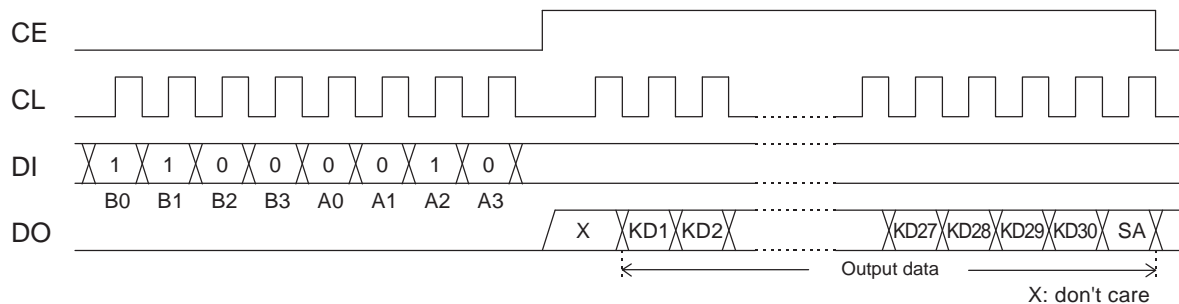
LC75804E, LC75804W

For example, the table below lists the segment output states for the S11 output pin.

| Display data | | | | Output pin state (S11) |
|--------------|-----|-----|-----|---|
| D41 | D42 | D43 | D44 | |
| 0 | 0 | 0 | 0 | The LCD segments for COM1,COM2,COM3 and COM4 are off. |
| 0 | 0 | 0 | 1 | The LCD segment for COM4 is on. |
| 0 | 0 | 1 | 0 | The LCD segment for COM3 is on. |
| 0 | 0 | 1 | 1 | The LCD segments for COM3 and COM4 are on. |
| 0 | 1 | 0 | 0 | The LCD segment for COM2 is on. |
| 0 | 1 | 0 | 1 | The LCD segments for COM2 and COM4 are on. |
| 0 | 1 | 1 | 0 | The LCD segments for COM2 and COM3 are on. |
| 0 | 1 | 1 | 1 | The LCD segments for COM2,COM3 and COM4 are on. |
| 1 | 0 | 0 | 0 | The LCD segment for COM1 is on. |
| 1 | 0 | 0 | 1 | The LCD segments for COM1 and COM4 are on. |
| 1 | 0 | 1 | 0 | The LCD segments for COM1 and COM3 are on. |
| 1 | 0 | 1 | 1 | The LCD segments for COM1,COM3 and COM4 are on. |
| 1 | 1 | 0 | 0 | The LCD segments for COM1 and COM2 are on. |
| 1 | 1 | 0 | 1 | The LCD segments for COM1,COM2 and COM4 are on. |
| 1 | 1 | 1 | 0 | The LCD segments for COM1,COM2 and COM3 are on. |
| 1 | 1 | 1 | 1 | The LCD segments for COM1,COM2,COM3 and COM4 are on. |

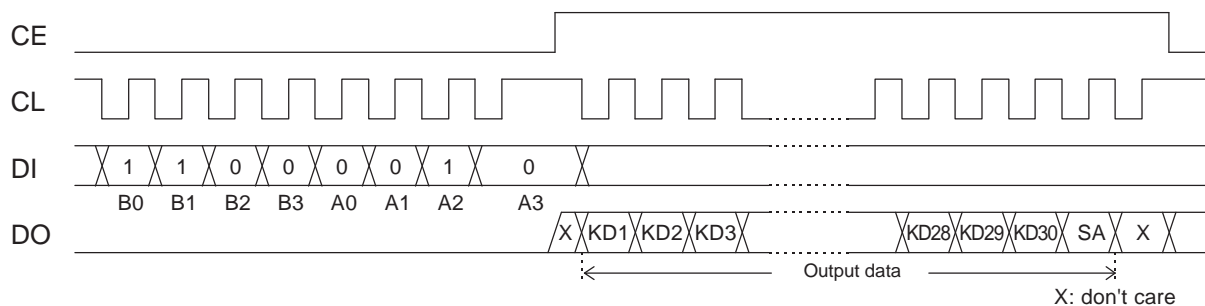
Serial Data Output

1. When CL is stopped at the low level



Note: B0 to B3, A0 to A3.....CCB address

2. When CL is stopped at the high level



Note: B0 to B3, A0 to A3.....CCB address

CCB address 43H

KD1 to KD30..... Key data

SA..... Sleep acknowledge data

Note: If a key data read operation is executed when DO is high, the read key data (KD1 to KD30) and sleep acknowledge data(SA) will be invalid.

Output Data

1. KD1 to KD30 : Key data

When a key matrix of up to 30 keys is formed from the KS1 to KS6 output pins and the KI1 to KI5 input pins and one of those keys is pressed, the key output data corresponding to that key will be set to 1. The table shows the relationship between those pins and the key data bits.

| | | | | | |
|---------|------|------|------|------|------|
| | KI1 | KI2 | KI3 | KI4 | KI5 |
| KS1/S75 | KD1 | KD2 | KD3 | KD4 | KD5 |
| KS2/S76 | KD6 | KD7 | KD8 | KD9 | KD10 |
| KS3 | KD11 | KD12 | KD13 | KD14 | KD15 |
| KS4 | KD16 | KD17 | KD18 | KD19 | KD20 |
| KS5 | KD21 | KD22 | KD23 | KD24 | KD25 |
| KS6 | KD26 | KD27 | KD28 | KD29 | KD30 |

When the KS1/S75 and KS2/S76 output pins are selected to be segment outputs by control data bits K0 and K1 and a key matrix of up to 20 keys is formed using the KS3 to KS6 output pins and the KI1 to KI5 input pins, the KD1 to KD10 key data bits will be set to 0.

2. SA : Sleep acknowledge data

This output data bit is set to the state when the key was pressed. Also, while DO will be low in this case, if serial data is input and the mode is set (to normal or sleep mode) during this period, that mode will be set. SA will be 1 in sleep mode and 0 in normal mode.

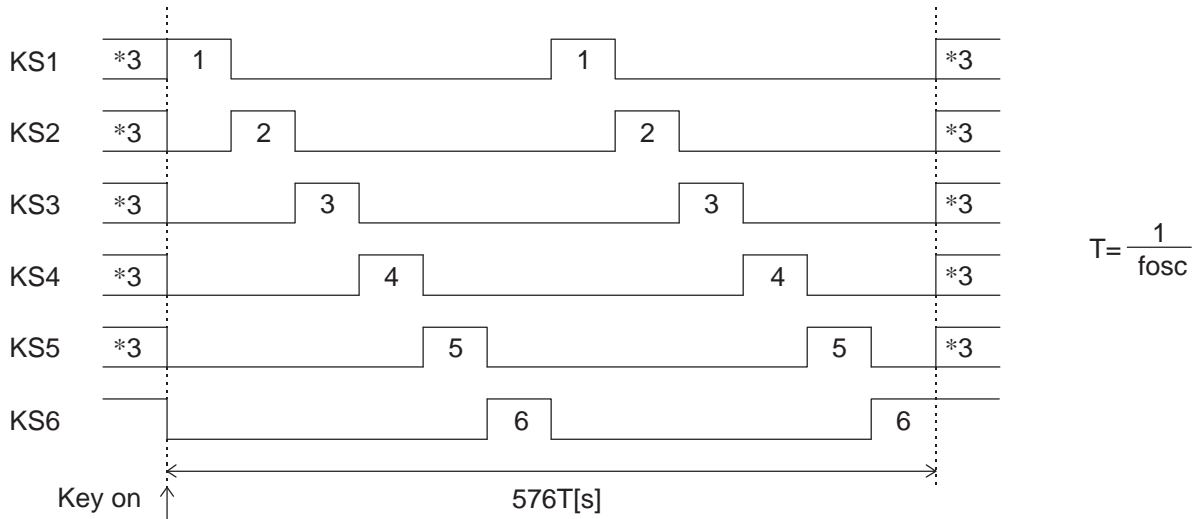
Sleep Mode Functions

Sleep mode is set up by setting S0 or S1 in the control data to 1. The segment outputs will all go low and the common outputs will also go low, and the oscillator on the OSC pin will stop (it will be started by a key press). This reduces power dissipation. This mode is cleared by sending control data with both S0 and S1 set to 0. However, note that the S1/P1 to S8/P8 outputs can be used as general-purpose output ports according to the state of the P0 to P3 control data bits, even in sleep mode. (See the control data description for details.)

Key Scan Operation Functions

1. Key scan timing

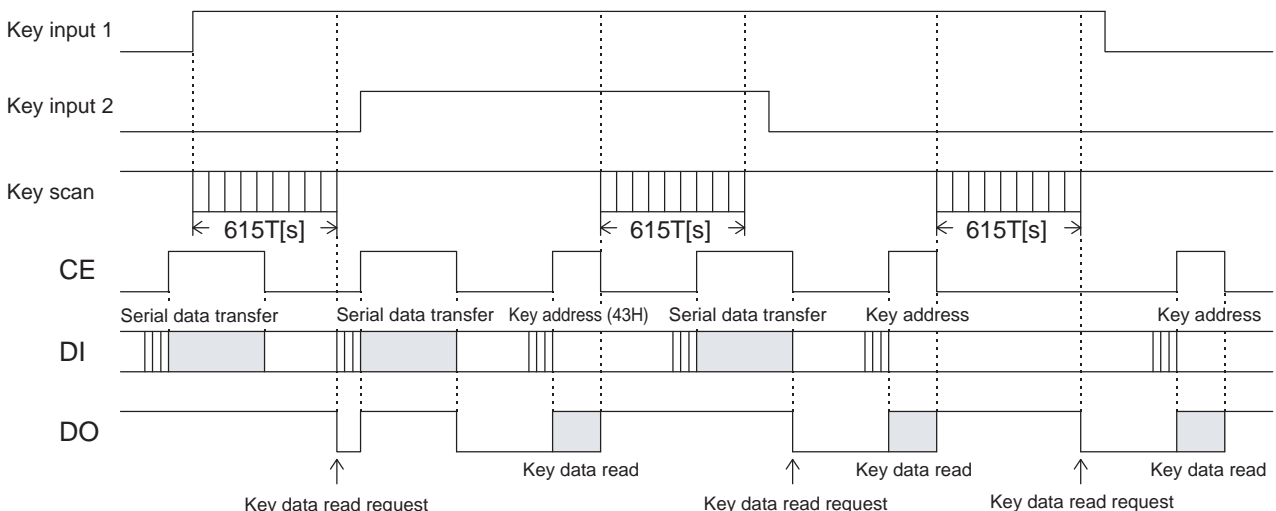
The key scan period is 288T(s). To reliably determine the on/off state of the keys, the LC75804E/W scans the keys twice and determines that a key has been pressed when the key data agrees. It outputs a key data read request (a low level on DO) 615T(s) after starting a key scan. If the key data dose not agree and a key was pressed at that point, it scans the keys again. Thus the LC75804E/W cannot detect a key press shorter than 615T(s).



Note: *3. In sleep mode the high/low state of these pins is determined by the S0 and S1 bits in the control data. Key scan output signals are not output from pins that are set low.

2. In normal mode

- The pins KS1 to KS6 are set high.
- When a key is pressed a key scan is started and the keys are scanned until all keys are released. Multiple key presses are recognized by determining whether multiple key data bits are set.
- If a key is pressed for longer than 615T(s) (Where $T = \frac{1}{f_{osc}}$) the LC75804E/W outputs a key data read request (a low level on DO) to the controller. The controller acknowledges this request and reads the key data. However, if CE is high during a serial data transfer, DO will be set high.
- After the controller reads the key data, the key data read request is cleared (DO is set high) and the LC75804E/W performs another key scan. Also note that DO, being an open-drain output, requires a pull-up resistor (between 1 and 10 kΩ).

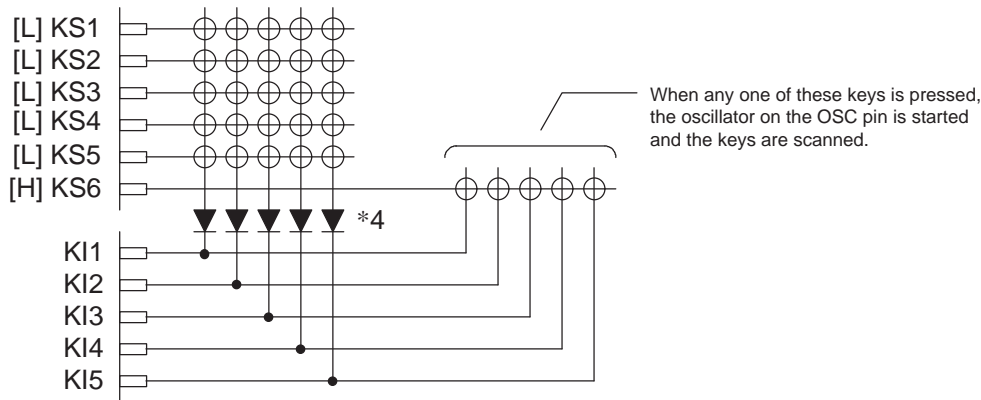


$$T = \frac{1}{f_{osc}}$$

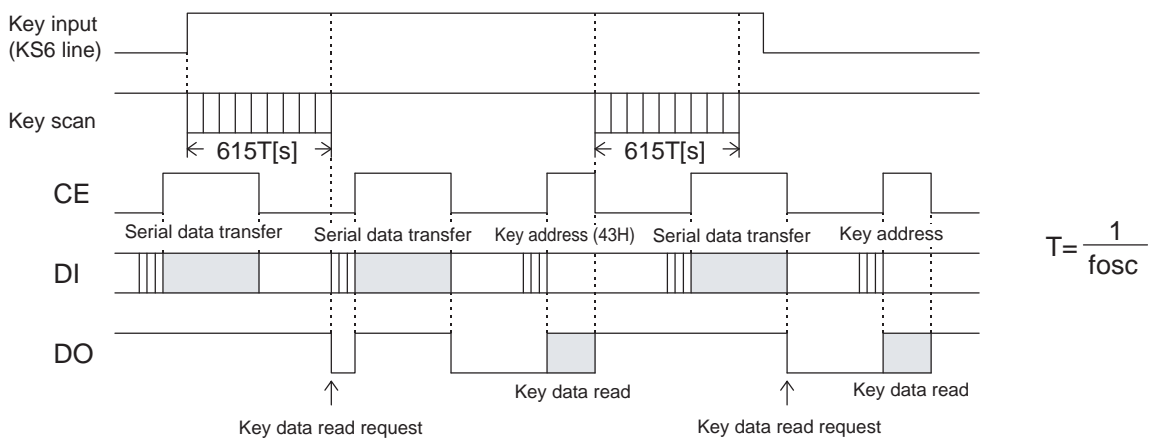
3. In sleep mode

- The pins KS1 to KS6 are set to high or low by the S0 and S1 bits in the control data. (See the control data description for details.)
- If a key on one of the lines corresponding to a KS1 to KS6 pin which is set high is pressed, the oscillator on the OSC pin is started and a key scan is performed. Keys are scanned until all keys are released. Multiple key presses are recognized by determining whether multiple key data bits are set.
- If a key is pressed for longer than $615T(s)$ (Where $T = \frac{1}{f_{osc}}$) the LC75804E/W outputs a key data read request (a low level on DO) to the controller. The controller acknowledges this request and reads the key data. However, if CE is high during a serial data transfer, DO will be set high.
- After the controller reads the key data, the key data read request is cleared (DO is set high) and the LC75804E/W performs another key scan. However, this does not clear sleep mode. Also note that DO, being an open-drain output, requires a pull-up resistor (between 1 and 10 kΩ).
- Sleep mode key scan example

Example: S0 = 0, S1 = 1 (sleep with only KS6 high)



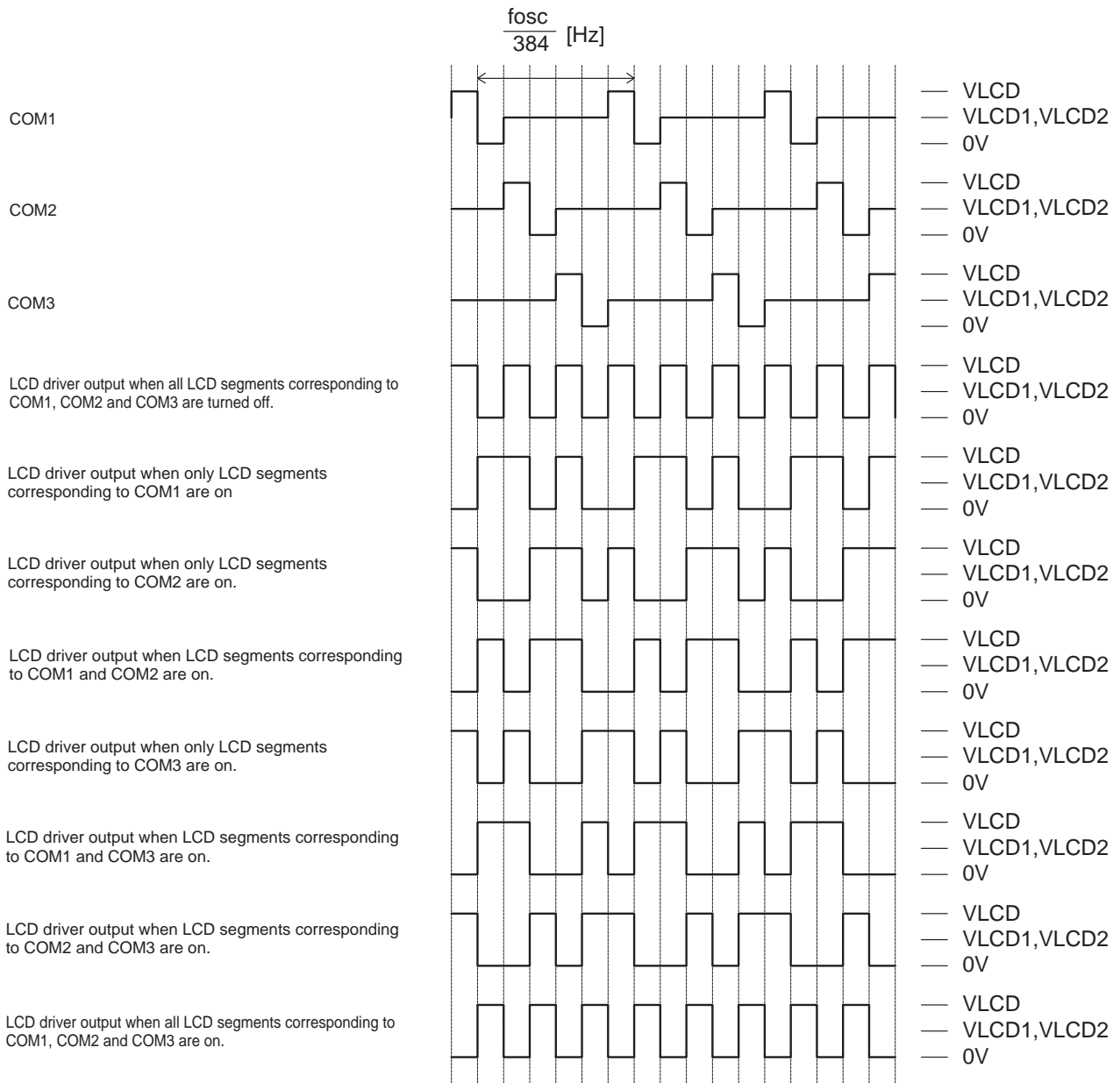
Note: *4. These diodes are required to reliably recognize multiple key presses on the KS6 line when sleep mode state with only KS6 high, as in the above example. That is, these diodes prevent incorrect operations due to sneak currents in the KS6 key scan output signal when keys on the KS1 to KS5 lines are pressed at the same time.



Multiple Key Presses

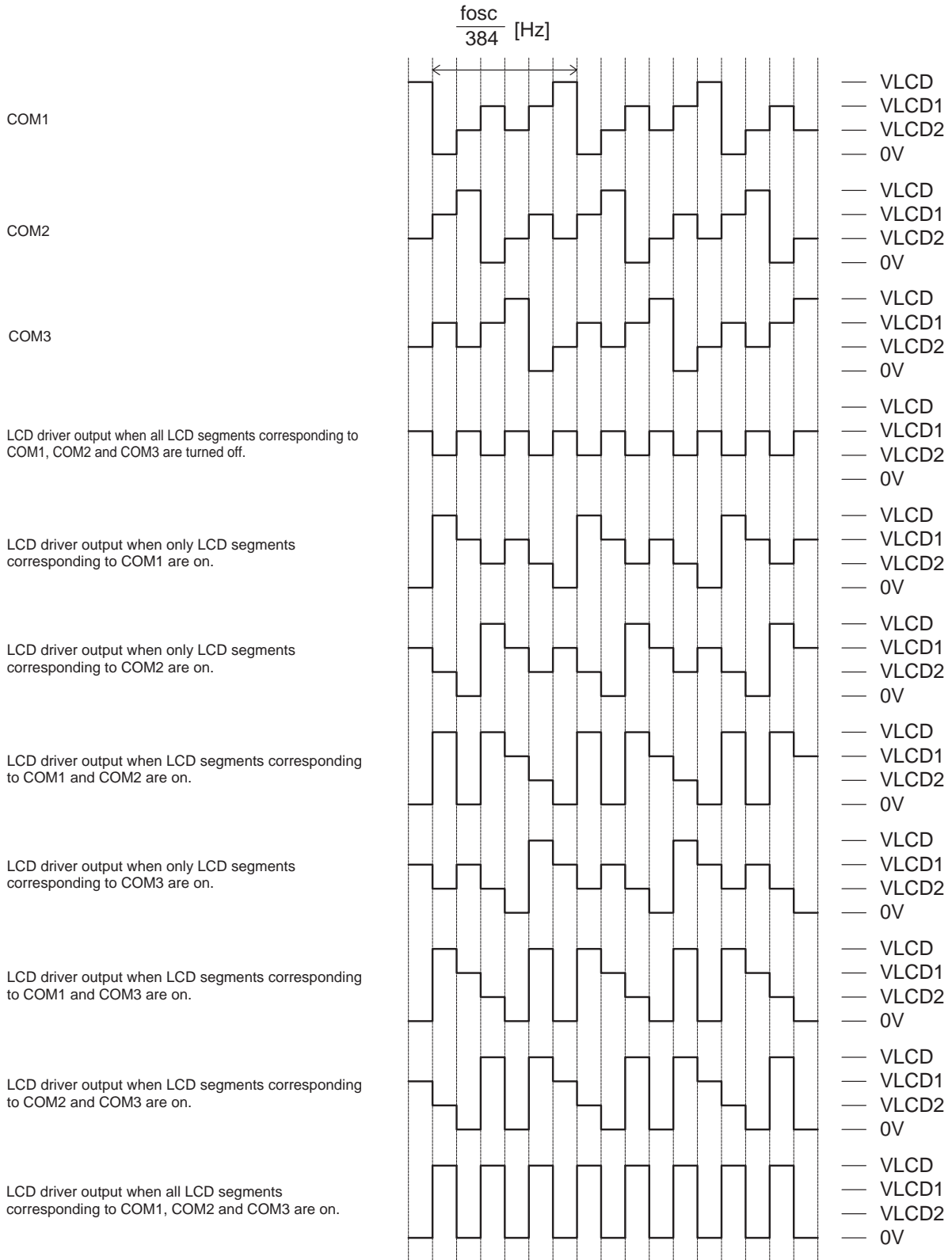
Although the LC75804E/W is capable of key scanning without inserting diodes for dual key presses, triple key presses on the KI1 to KI5 input pin lines, or multiple key presses on the KS1 to KS6 output pin lines, multiple presses other than these cases may result in keys that were not pressed recognized as having been pressed. Therefore, a diode must be inserted in series with each key. Applications that do not recognize multiple key presses of three or more keys should check the key data for three or more 1 bits and ignore such data.

1/3 Duty, 1/2 Bias Drive Technique



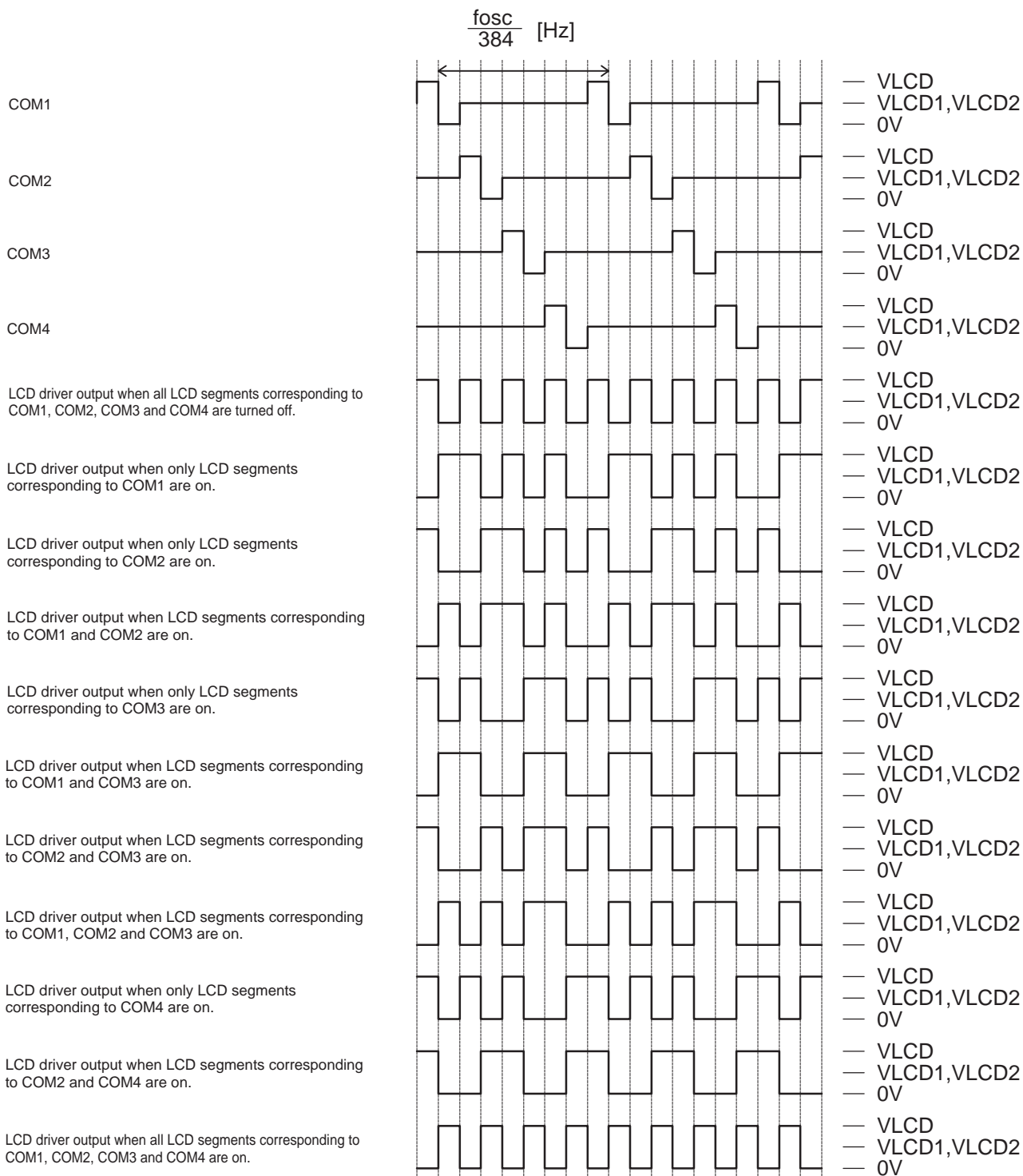
1/3 Duty, 1/2 Bias Waveforms

1/3 Duty, 1/3 Bias Drive Technique



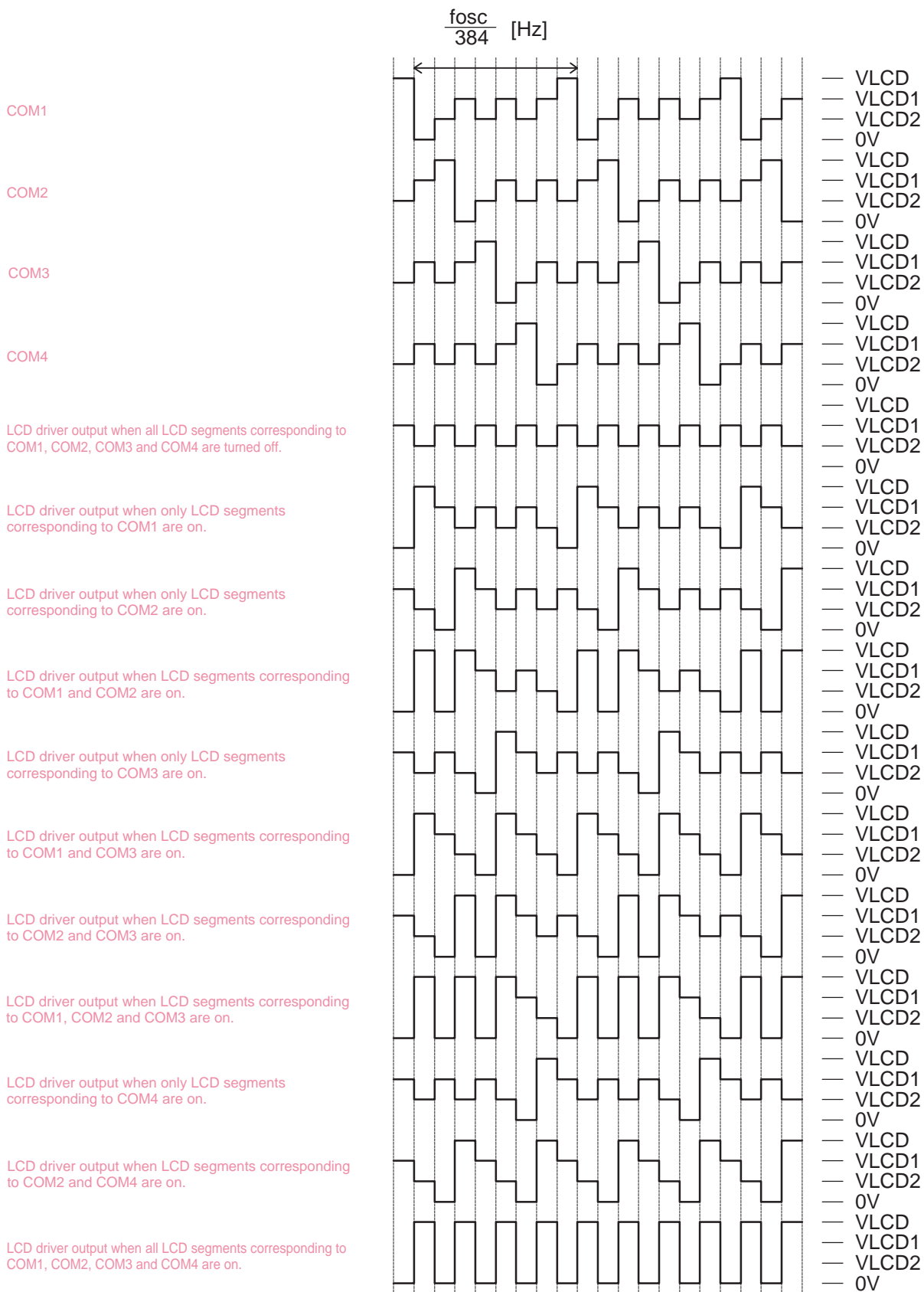
1/3 Duty, 1/3 Bias Waveforms

1/4 Duty, 1/2 Bias Drive Technique



1/4 Duty, 1/2 Bias Waveforms

1/4 Duty, 1/3 Bias Drive Technique



1/4 Duty, 1/3 Bias Waveforms

Voltage Detection Type Reset Circuit (VDET)

This circuit generates an output signal and resets the system when logic block power is first applied and when the voltage drops, i.e., when the logic block power supply voltage is less than or equal to the power down detection voltage VDET, which is 3.0V, typical. To assure that this function operates reliably, a capacitor must be added to the logic block power supply line so that the logic block power supply voltage V_{DD} rise time when the logic block power is first applied and the logic block power supply voltage V_{DD} fall time when the voltage drops are both at least 1 ms. (See Figure 3 and Figure 4.)

Power Supply Sequence

The following sequences must be observed when power is turned on and off. (See Figure 3 and Figure 4.)

- Power on :Logic block power supply(V_{DD}) on → LCD driver block power supply(V_{LCD}) on
- Power off:LCD driver block power supply(V_{LCD}) off → Logic block power supply(V_{DD}) off

However, if the logic and LCD driver block use a shared power supply, then the power supplies can be turned on and off at the same time.

System Reset

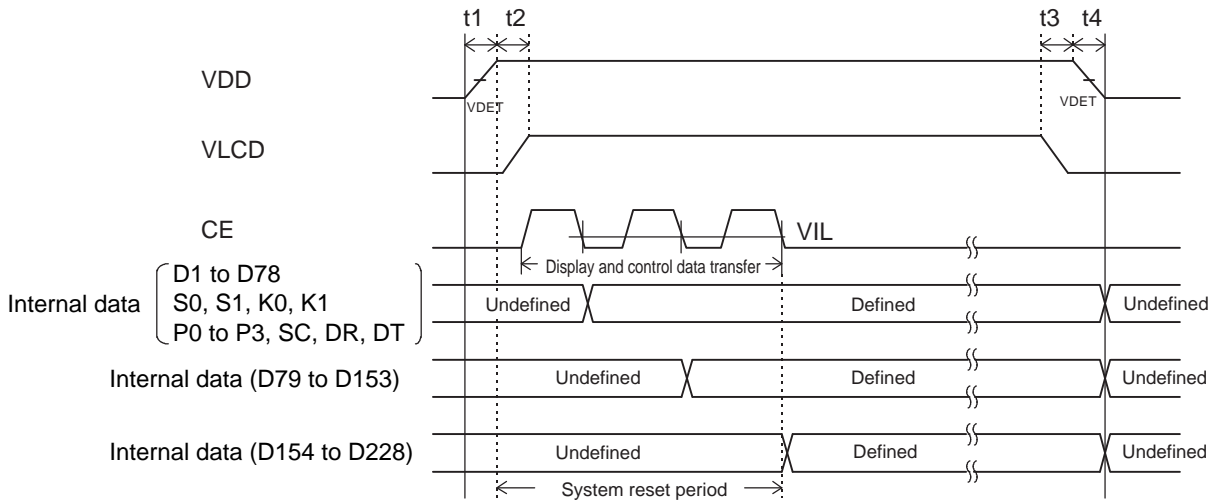
The LC75804E/W supports the reset methods described below. When a system reset is applied, display is turned off, key scanning is stopped, and all the key data is reset to low. When the reset is cleared, display is turned on and key scanning become possible.

1. Reset methods

(1) Reset at power-on and power-down

If at least 1 ms is assured as the logic block supply voltage V_{DD} rise time when logic block power is applied, a system reset will be applied by the VDET output signal when the logic block supply voltage is brought up. If at least 1 ms is assured as the logic block supply voltage V_{DD} fall time when logic block power drops, a system reset will be applied in the same manner by the VDET output signal when the supply voltage is lowered. Note that the reset is cleared at the point when all the serial data (1/3 duty: the display data D1 to D228 and the control data, 1/4 duty: the display data D1 to D300 and the control data) has been transferred, i.e., on the fall of the CE signal on the transfer of the last direction data, after all the direction data has been transferred. However, the above operations will be performed regardless of the state (high or low) of the \overline{RES} pin. If \overline{RES} is high, the reset will be cleared at the point the above operations are completed. On the other hand, if \overline{RES} is low, the system will remain in the reset period as long as \overline{RES} is not set high, even if the above operations are completed. (See Figure 3 and Figure 4.)

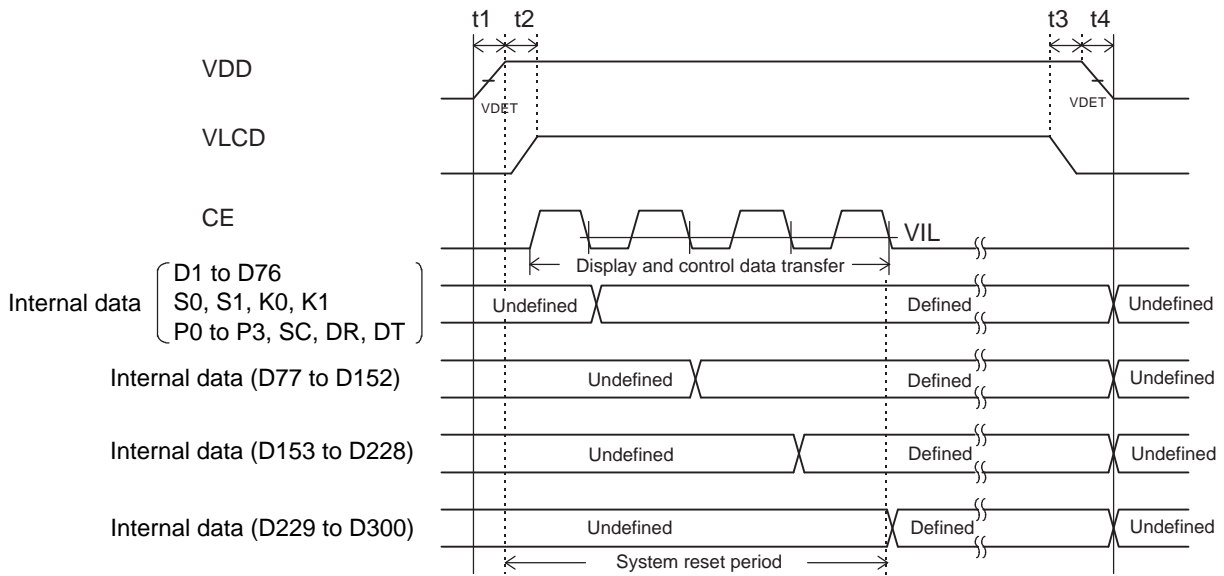
- 1/3 duty



Note: $t_1 \geq 1$ [ms] (Logic block power supply voltage V_{DD} rise time)
 $t_2 \geq 0$
 $t_3 \geq 0$
 $t_4 \geq 1$ [ms] (Logic block power supply voltage V_{DD} fall time)

Figure 3

- 1/4 duty



Note: $t_1 \geq 1$ [ms] (Logic block power supply voltage V_{DD} rise time)
 $t_2 \geq 0$
 $t_3 \geq 0$
 $t_4 \geq 1$ [ms] (Logic block power supply voltage V_{DD} fall time)

Figure 4

(2) Reset when the logic block power supply voltage is in the allowable operating range ($V_{DD} = 4.5$ to $6.0V$)
The system is reset when the \overline{RES} pin is set low, and the reset is cleared by setting \overline{RES} pin high.

2. LC75804E/W internal block states during the reset period

- **CLOCK GENERATOR**

Reset is applied and the base clock is stopped. However, the OSC pin state (normal or sleep mode) is determined after the S0 and S1 control data bits are transferred.

- **COMMON DRIVER, SEGMENT DRIVER & LATCH**

Reset is applied and the display is turned off. However, display data can be input to the latch circuit in this state.

- **KEY SCAN**

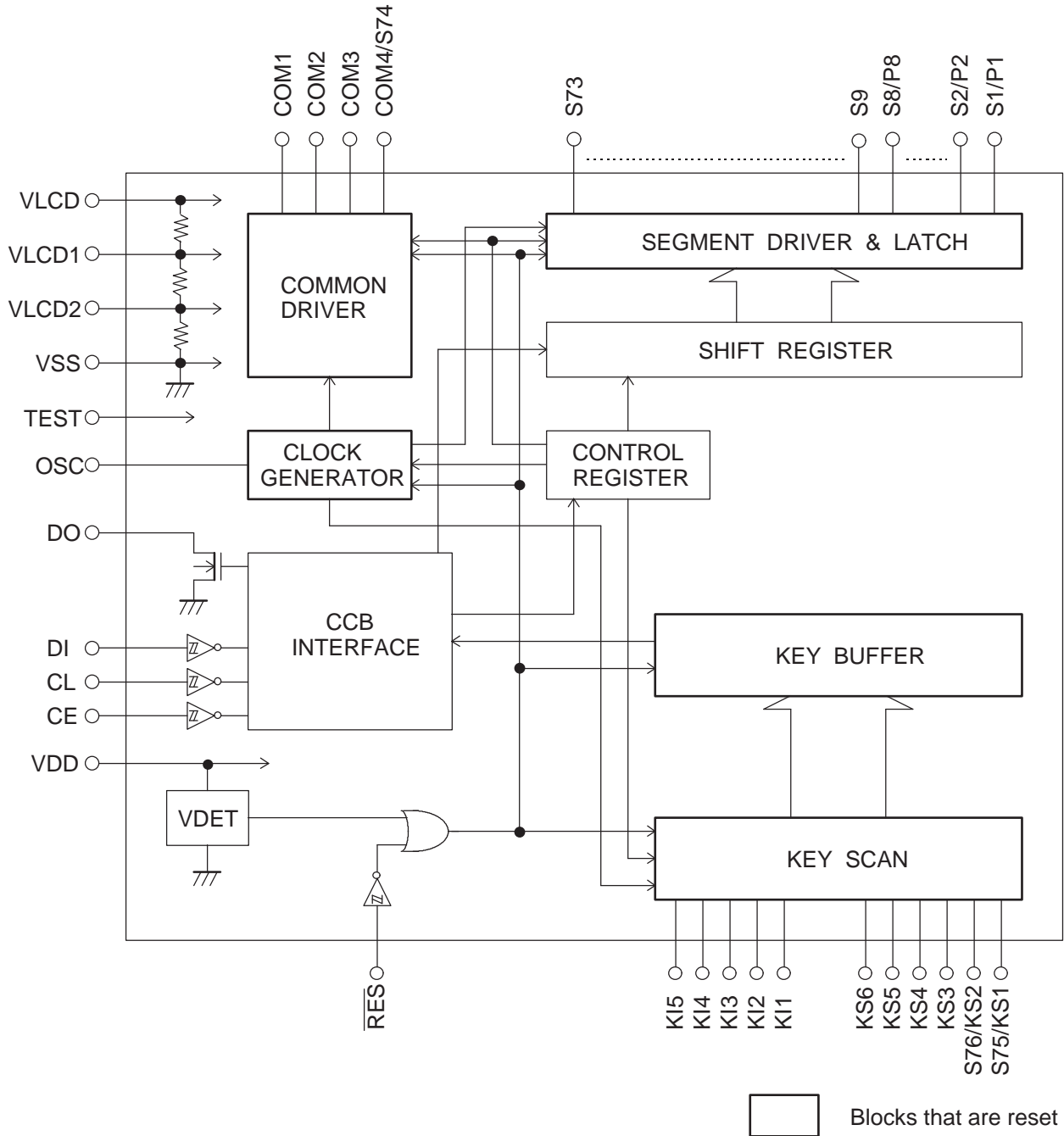
Reset is applied, the circuit is set to the initial state, and at the same time the key scan operation is disabled.

- **KEY BUFFER**

Reset is applied and all the key data is set to low.

- **CCB INTERFACE, CONTROL REGISTER, SHIFT REGISTER**

Since serial data transfer is possible, these circuits are not reset.



Blocks that are reset

3. Output pin states during the reset period

| Output pin | State during reset |
|------------------|--------------------|
| S1/P1 to S8/P8 | L *5 |
| S9 to S73 | L |
| COM1 to COM3 | L |
| COM4/S74 | L *6 |
| KS1/S75, KS2/S76 | L *5 |
| KS3 to KS5 | X *7 |
| KS6 | H |
| DO | H *8 |

X: don't care

Notes:*5. These output pins are forcibly set to the segment output function and held low.

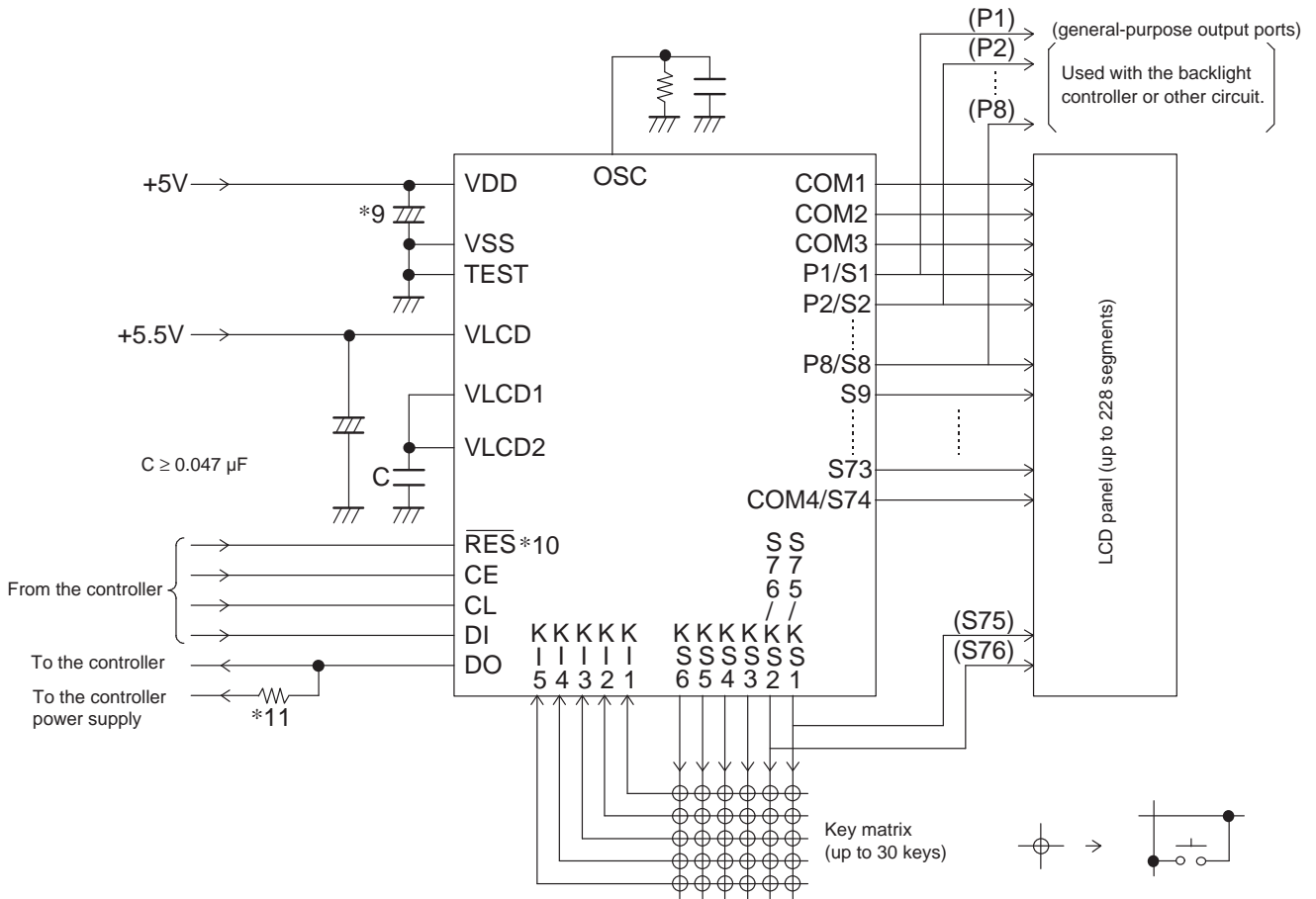
*6. When power is first applied, this output pin is forcibly set to the common output function and held low. However, when the DT control data bit is transferred, either the common output or the segment output function is selected.

*7. When power is first applied, these output pins are undefined until the S0 and S1 control data bits have been transferred.

*8. Since this output pin is an open-drain output, a pull-up resistor of between 1 and 10 kΩ is required. This pin remains high during the reset period even if a key data read operation is performed.

Sample Application Circuit 1

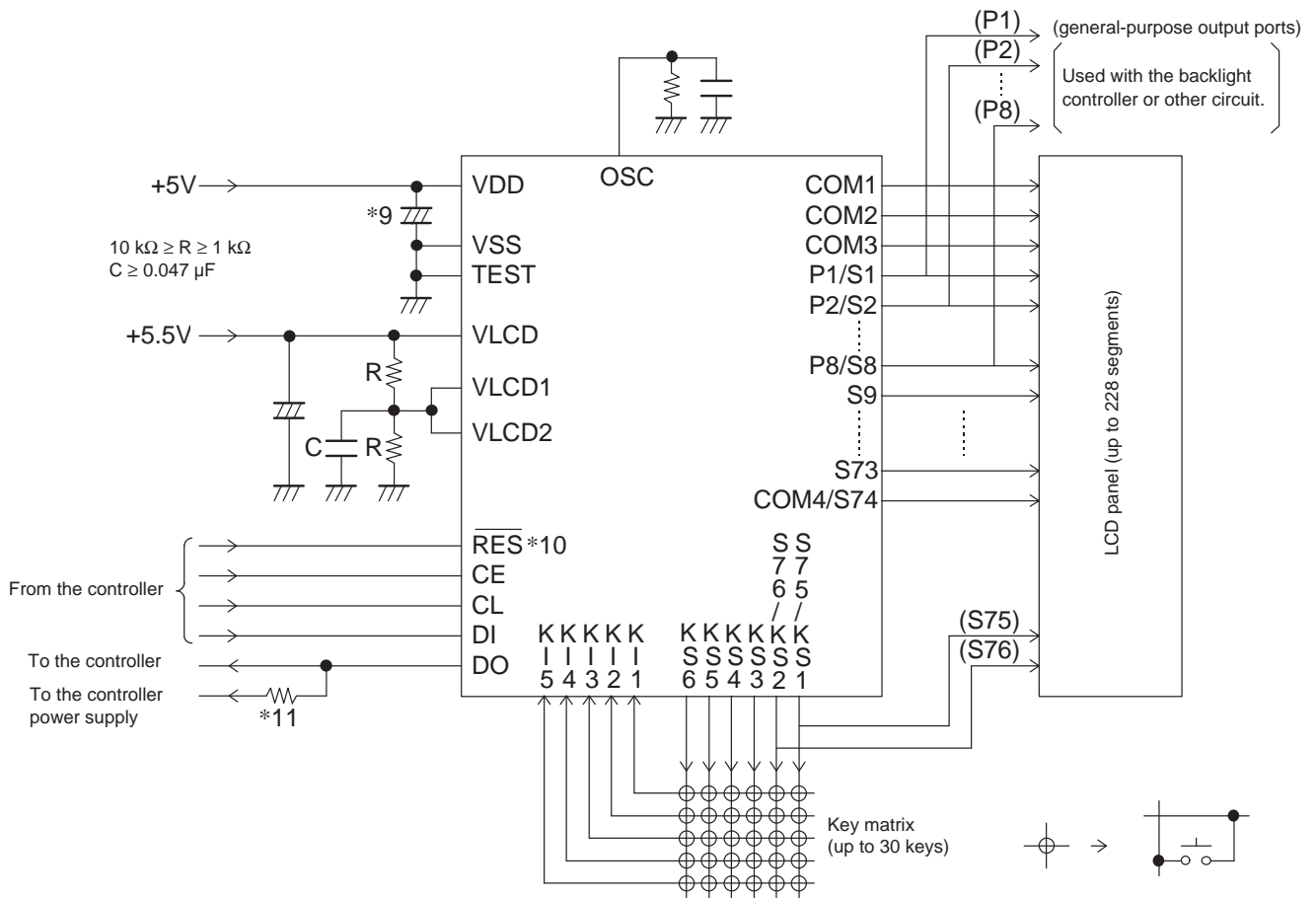
1/3 duty, 1/2 bias (for use with normal panels)



- Notes:
- *9. Add a capacitor to the logic block power supply line so that the logic block power supply voltage V_{DD} rise time when power is applied and the logic block power supply voltage V_{DD} fall time when power drops are both at least 1 ms, as the LC75804E/W is reset by the VDET.
 - *10. If the RES pin is not used for system reset, it must be connected to the logic block power supply V_{DD} .
 - *11. The DO pin, being an open-drain output, requires a pull-up resistor. Select a resistance (between 1 to 10 $k\Omega$) appropriate for the capacitance of the external wiring so that signal waveforms are not degraded.

Sample Application Circuit 2

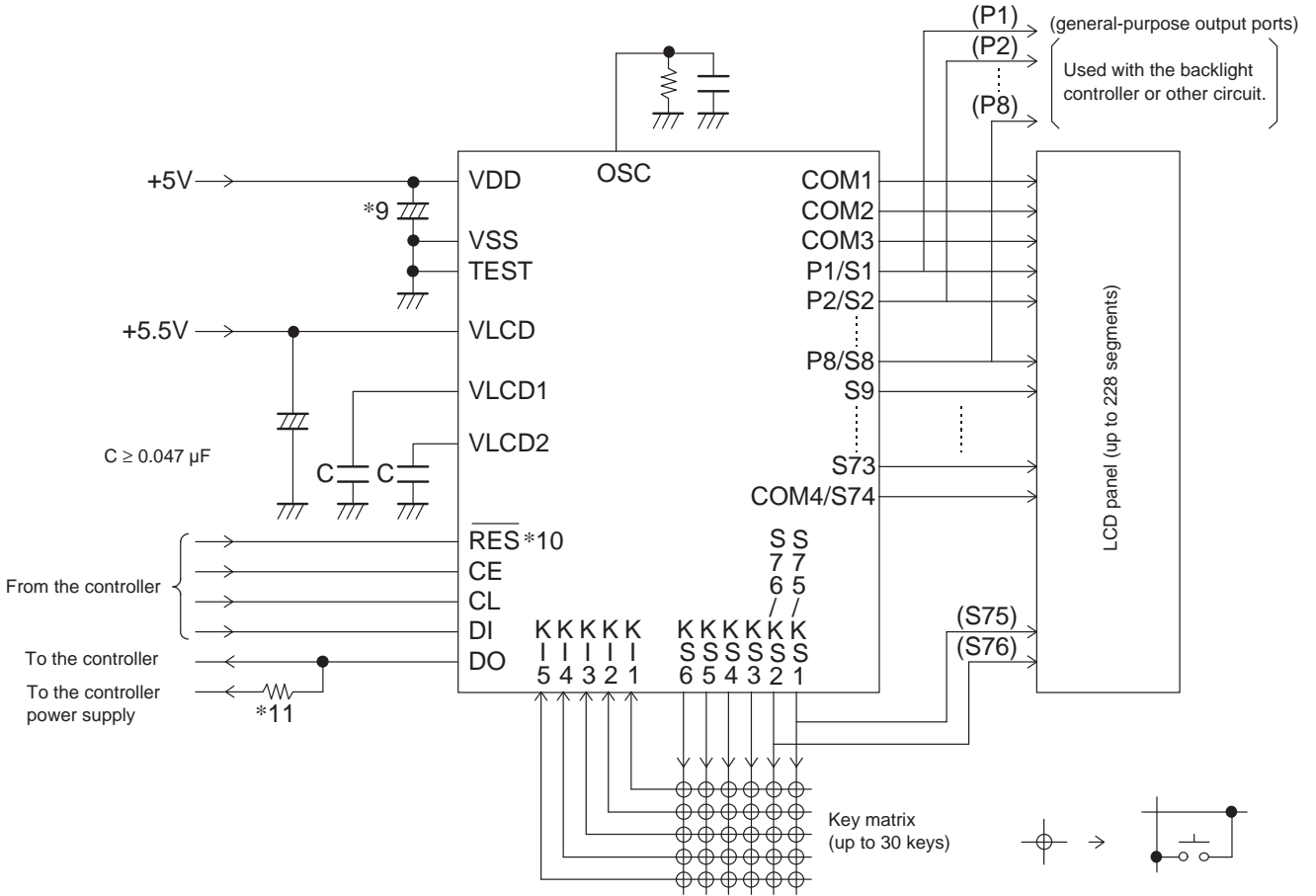
1/3 duty, 1/2 bias (for use with large panels)



- Notes:
- *9. Add a capacitor to the logic block power supply line so that the logic block power supply voltage V_{DD} rise time when power is applied and the logic block power supply voltage V_{DD} fall time when power drops are both at least 1 ms, as the LC75804E/W is reset by the VDET.
 - *10. If the RES pin is not used for system reset, it must be connected to the logic block power supply V_{DD} .
 - *11. The DO pin, being an open-drain output, requires a pull-up resistor. Select a resistance (between 1 to 10 k Ω) appropriate for the capacitance of the external wiring so that signal waveforms are not degraded.

Sample Application Circuit 3

1/3 duty, 1/3 bias (for use with normal panels)



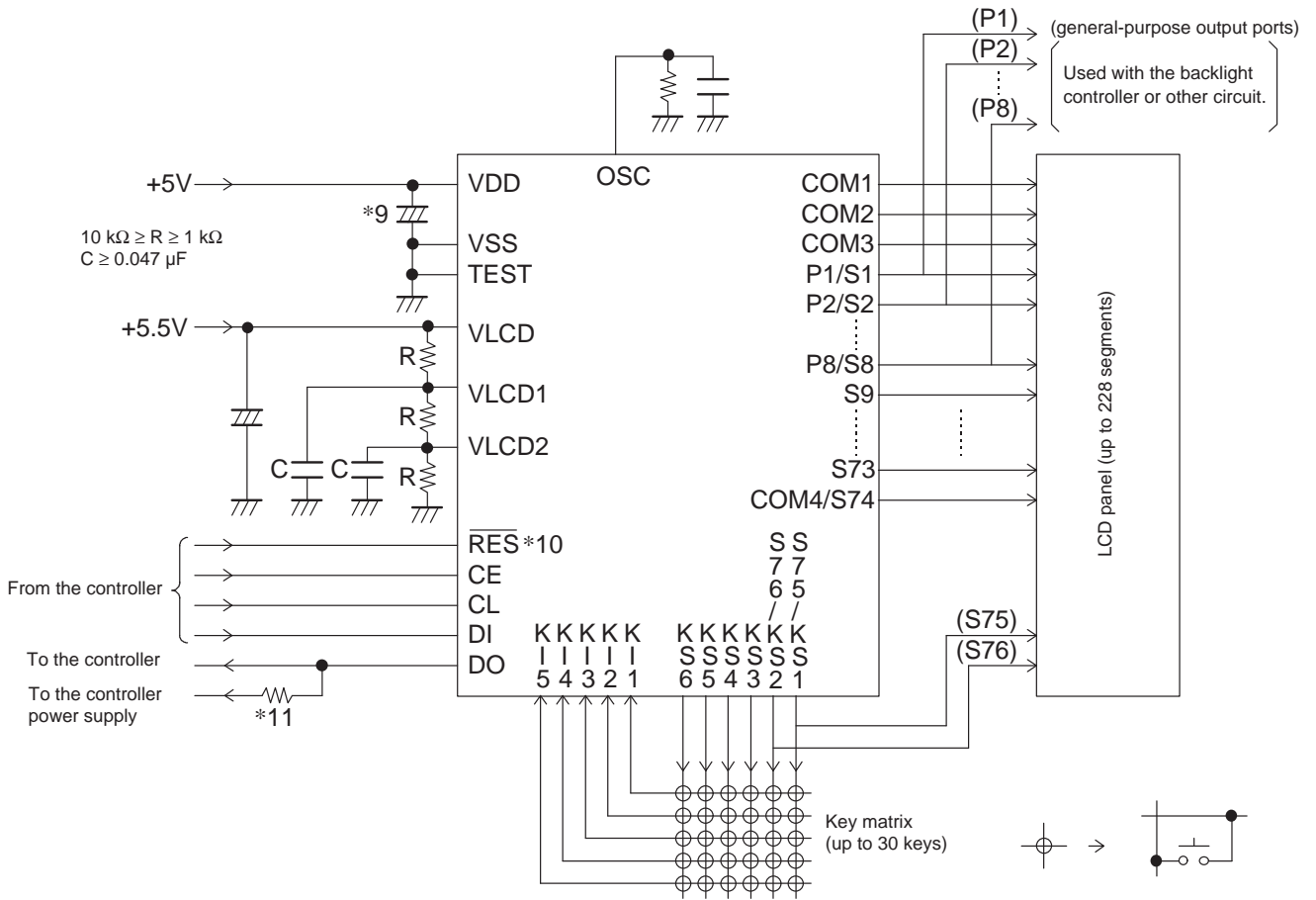
Notes: *9. Add a capacitor to the logic block power supply line so that the logic block power supply voltage V_{DD} rise time when power is applied and the logic block power supply voltage V_{DD} fall time when power drops are both at least 1 ms, as the LC75804E/W is reset by the VDET.

*10. If the RES pin is not used for system reset, it must be connected to the logic block power supply V_{DD} .

*11. The DO pin, being an open-drain output, requires a pull-up resistor. Select a resistance (between 1 to 10 kΩ) appropriate for the capacitance of the external wiring so that signal waveforms are not degraded.

Sample Application Circuit 4

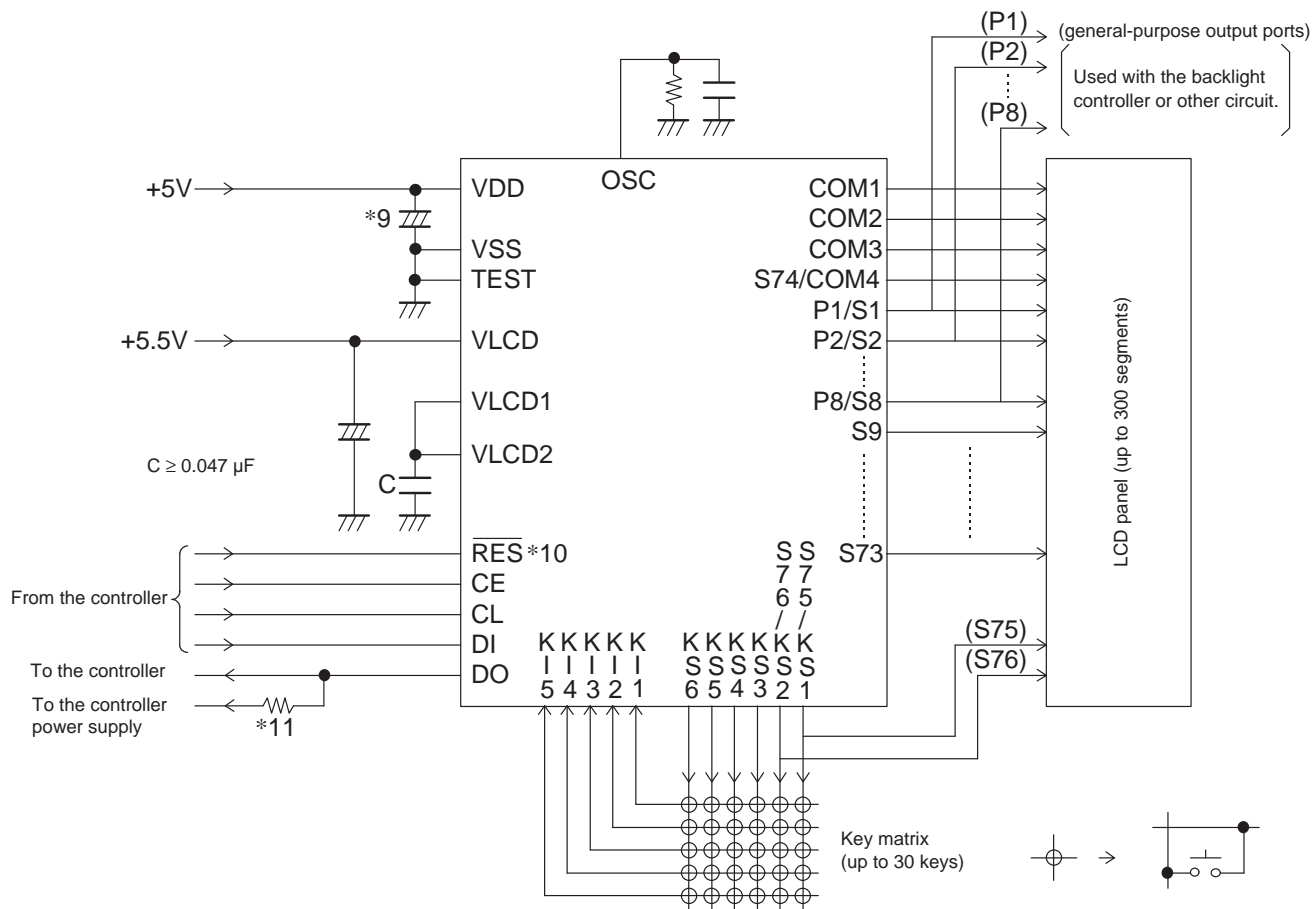
1/3 duty, 1/3 bias (for use with large panels)



- Notes:
- *9. Add a capacitor to the logic block power supply line so that the logic block power supply voltage V_{DD} rise time when power is applied and the logic block power supply voltage V_{DD} fall time when power drops are both at least 1 ms, as the LC75804E/W is reset by the VDET.
 - *10. If the RES pin is not used for system reset, it must be connected to the logic block power supply V_{DD} .
 - *11. The DO pin, being an open-drain output, requires a pull-up resistor. Select a resistance (between 1 to 10 k Ω) appropriate for the capacitance of the external wiring so that signal waveforms are not degraded.

Sample Application Circuit 5

1/4 duty, 1/2 bias (for use with normal panels)



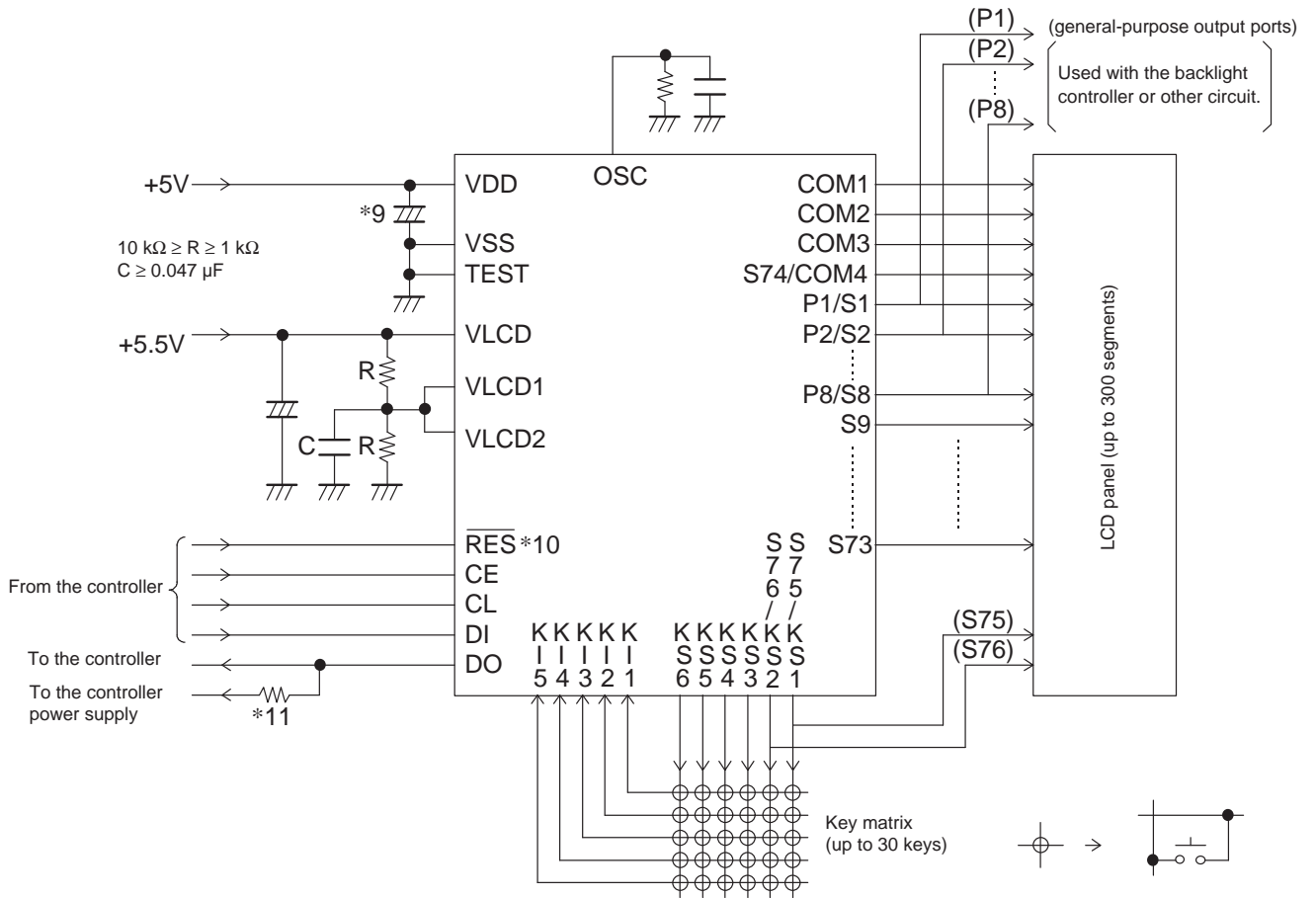
Notes: *9. Add a capacitor to the logic block power supply line so that the logic block power supply voltage V_{DD} rise time when power is applied and the logic block power supply voltage V_{DD} fall time when power drops are both at least 1 ms, as the LC75804E/W is reset by the VDET.

*10. If the RES pin is not used for system reset, it must be connected to the logic block power supply V_{DD} .

*11. The DO pin, being an open-drain output, requires a pull-up resistor. Select a resistance (between 1 to 10 kΩ) appropriate for the capacitance of the external wiring so that signal waveforms are not degraded.

Sample Application Circuit 6

1/4 duty, 1/2 bias (for use with large panels)



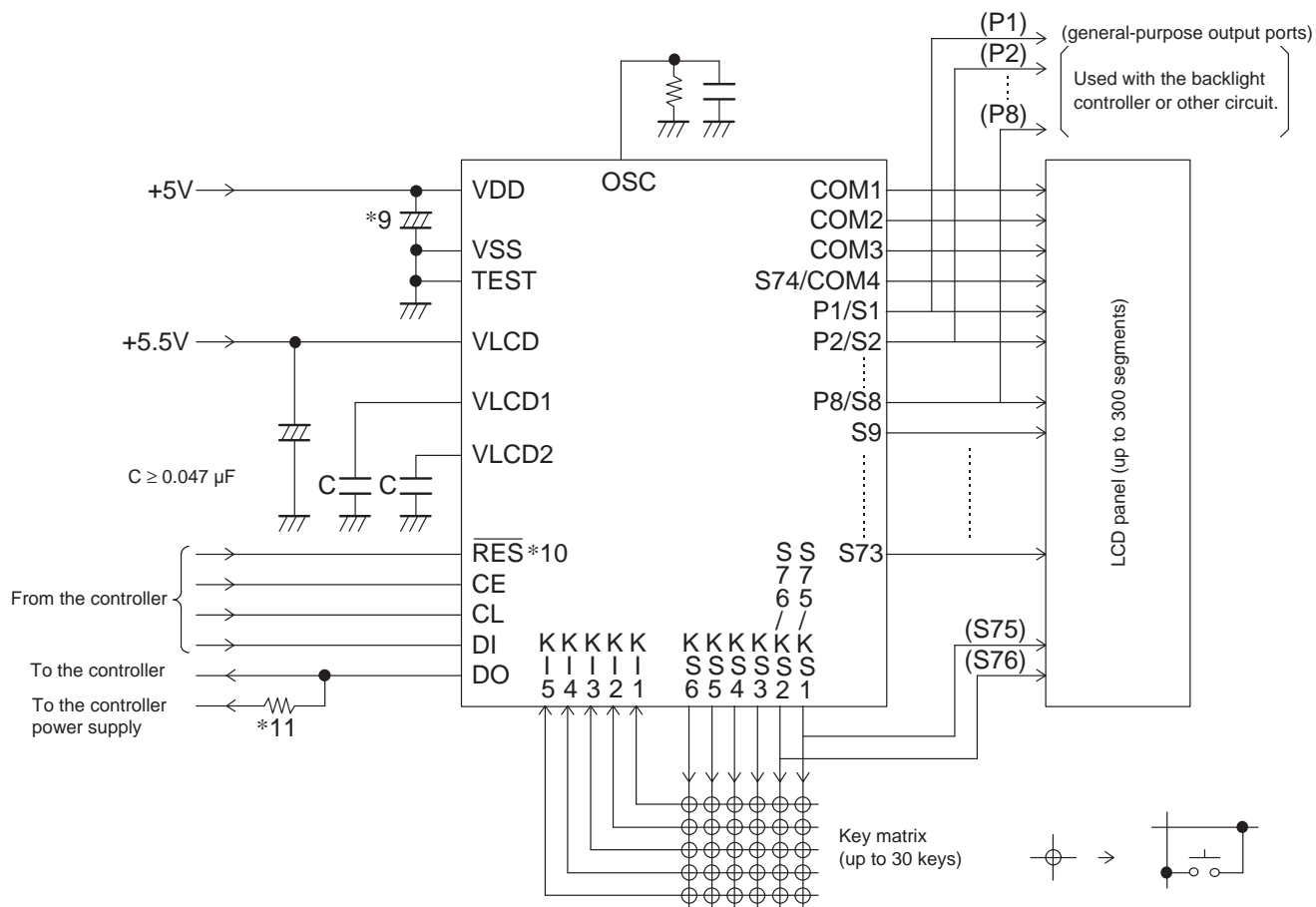
Notes:*9. Add a capacitor to the logic block power supply line so that the logic block power supply voltage V_{DD} rise time when power is applied and the logic block power supply voltage V_{DD} fall time when power drops are both at least 1 ms, as the LC75804E/W is reset by the VDET.

*10. If the RES pin is not used for system reset, it must be connected to the logic block power supply V_{DD} .

*11. The DO pin, being an open-drain output, requires a pull-up resistor. Select a resistance (between 1 to 10 k Ω) appropriate for the capacitance of the external wiring so that signal waveforms are not degraded.

Sample Application Circuit 7

1/4 duty, 1/3 bias (for use with normal panels)



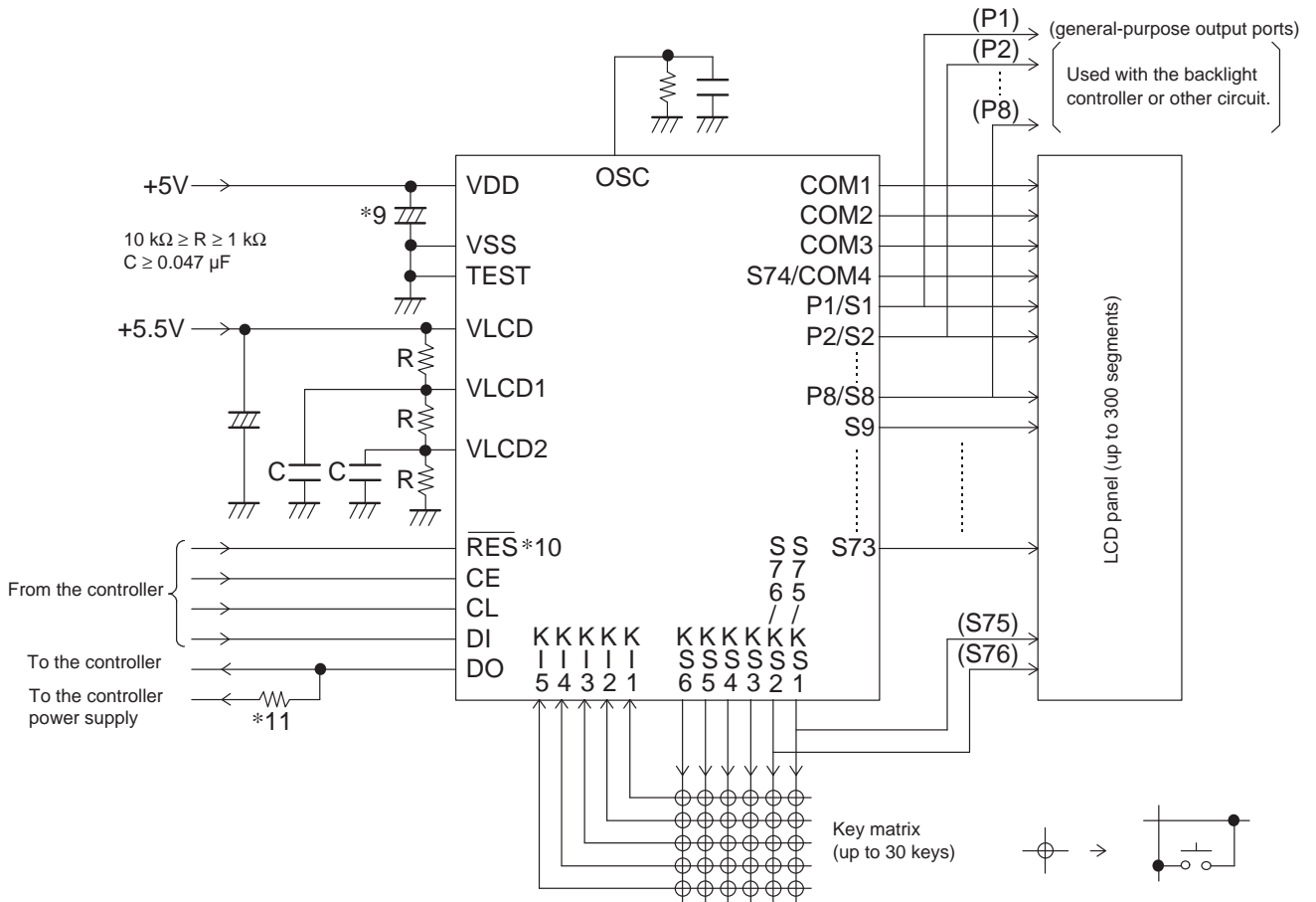
Notes:*9. Add a capacitor to the logic block power supply line so that the logic block power supply voltage V_{DD} rise time when power is applied and the logic block power supply voltage V_{DD} fall time when power drops are both at least 1 ms, as the LC75804E/W is reset by the VDET.

*10. If the RES pin is not used for system reset, it must be connected to the logic block power supply V_{DD} .

*11. The DO pin, being an open-drain output, requires a pull-up resistor. Select a resistance (between 1 to 10 kΩ) appropriate for the capacitance of the external wiring so that signal waveforms are not degraded.

Sample Application Circuit 8

1/4 duty, 1/3 bias (for use with large panels)



- Notes:
- *9. Add a capacitor to the logic block power supply line so that the logic block power supply voltage V_{DD} rise time when power is applied and the logic block power supply voltage V_{DD} fall time when power drops are both at least 1 ms, as the LC75804E/W is reset by the VDET.
 - *10. If the RES pin is not used for system reset, it must be connected to the logic block power supply V_{DD} .
 - *11. The DO pin, being an open-drain output, requires a pull-up resistor. Select a resistance (between 1 to 10 k Ω) appropriate for the capacitance of the external wiring so that signal waveforms are not degraded.

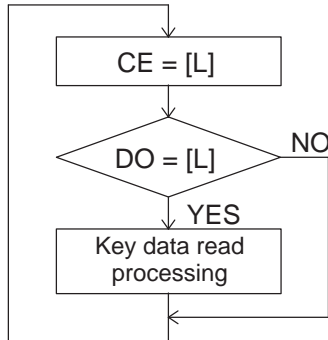
Notes on transferring display data from the controller

When using the LC75804E/W in 1/3 duty, applications transfer the display data (D1 to D228) in three operations, and in 1/4 duty, they transfer the display data (D1 to D300) in four operations. In either case, applications should transfer all of the display data within 30 ms to maintain the quality of the displayed image.

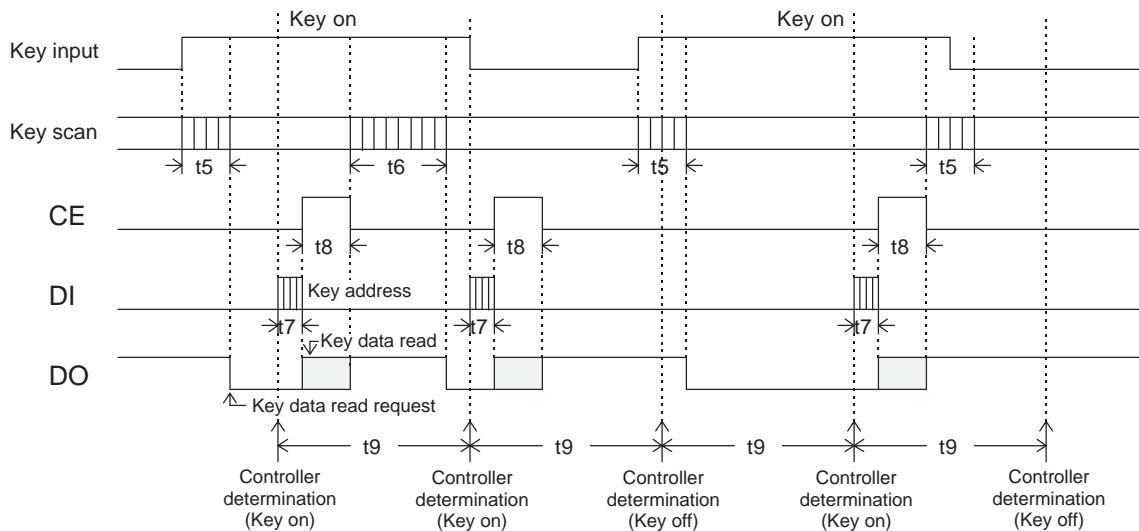
Notes on the controller key data read techniques

1. Timer based key data acquisition

(1) Flowchart



(2) Timing chart



t5: Key scan execution time when the key data agreed for two key scans. (615T(s))
 t6: Key scan execution time when the key data did not agree for two key scans and the key scan was executed again. (1230T(s))
 t7: Key address (43H) transfer time
 t8: Key data read time

$$T = \frac{1}{f_{osc}}$$

(3) Explanation

In this technique, the controller uses a timer to determine key on/off states and read the key data. The controller must check the DO state when CE is low every t9 period without fail. If DO is low, the controller recognizes that a key has been pressed and executes the key data read operation.

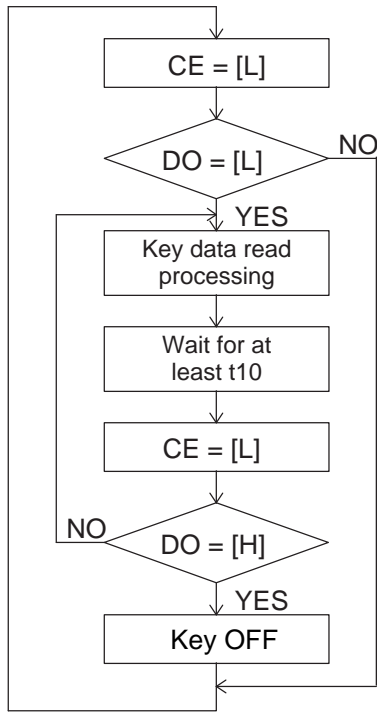
The period t9 in this technique must satisfy the following condition.

$$t9 > t6 + t7 + t8$$

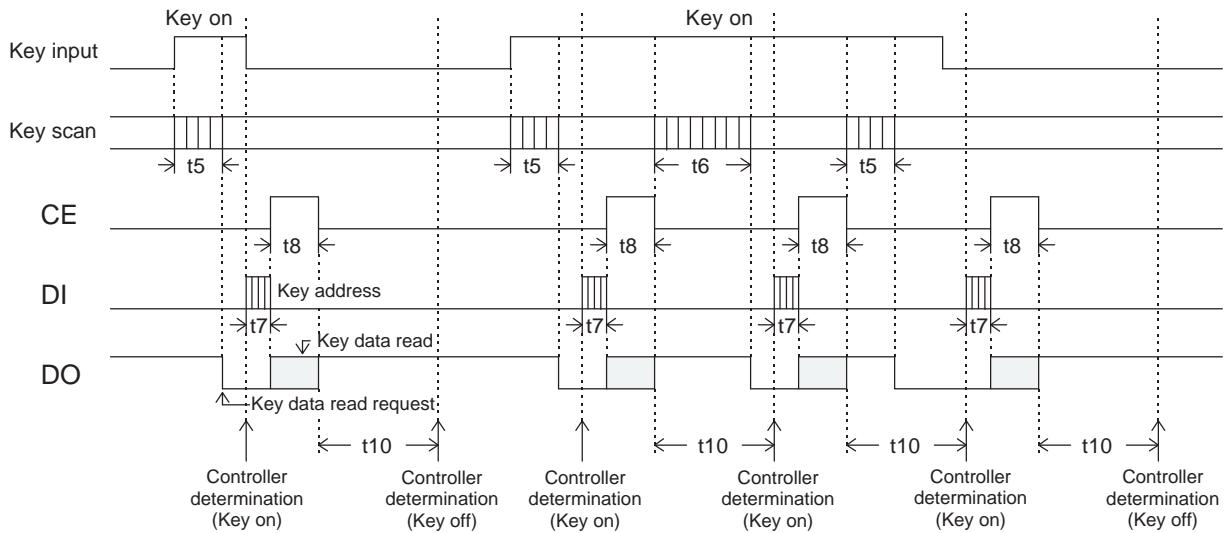
If a key data read operation is executed when DO is high, the read key data (KD1 to KD30) and sleep acknowledge data (SA) will be invalid.

2. Interrupt based key data acquisition

(1) Flowchart



(2) Timing chart



t5: Key scan execution time when the key data agreed for two key scans. (615T(s))

t6: Key scan execution time when the key data did not agree for two key scans and the key scan was executed again. (1230T(s))

t7: Key address (43H) transfer time

t8: Key data read time

$$T = \frac{1}{f_{osc}}$$

(3) Explanation

In this technique, the controller uses interrupts to determine key on/off states and read the key data. The controller must check the DO state when CE is low. If DO is low, the controller recognizes that a key has been pressed and executes the key data read operation. After that the next key on/off determination is performed after the time t10 has elapsed by checking the DO state when CE is low and reading the key data. The period t10 in this technique must satisfy the following condition.

$$t10 > t6$$

If a key data read operation is executed when DO is high, the read key data (KD1 to KD30) and sleep acknowledge data (SA) will be invalid.

- Specifications of any and all SANYO products described or contained herein stipulate the performance, characteristics, and functions of the described products in the independent state, and are not guarantees of the performance, characteristics, and functions of the described products as mounted in the customer's products or equipment. To verify symptoms and states that cannot be evaluated in an independent device, the customer should always evaluate and test devices mounted in the customer's products or equipment.
- SANYO Electric Co., Ltd. strives to supply high-quality high-reliability products. However, any and all semiconductor products fail with some probability. It is possible that these probabilistic failures could give rise to accidents or events that could endanger human lives, that could give rise to smoke or fire, or that could cause damage to other property. When designing equipment, adopt safety measures so that these kinds of accidents or events cannot occur. Such measures include but are not limited to protective circuits and error prevention circuits for safe design, redundant design, and structural design.
- In the event that any or all SANYO products (including technical data, services) described or contained herein are controlled under any of applicable local export control laws and regulations, such products must not be exported without obtaining the export license from the authorities concerned in accordance with the above law.
- No part of this publication may be reproduced or transmitted in any form or by any means, electronic or mechanical, including photocopying and recording, or any information storage or retrieval system, or otherwise, without the prior written permission of SANYO Electric Co., Ltd.
- Any and all information described or contained herein are subject to change without notice due to product/technology improvement, etc. When designing equipment, refer to the "Delivery Specification" for the SANYO product that you intend to use.
- Information (including circuit diagrams and circuit parameters) herein is for example only; it is not guaranteed for volume production. SANYO believes information herein is accurate and reliable, but no guarantees are made or implied regarding its use or any infringements of intellectual property rights or other rights of third parties.

This catalog provides information as of May, 2003. Specifications and information herein are subject to change without notice.