

256×8 bit Electrically Erasable PROM (based on Serial Presence Detect)

BR34L02FV-W

The BR34L02FV-W is a 2k bit EEPROM memory with write-protect function having independent rewrite inhibit area, developed for a DIMM that uses synchronous DRAM memory, and a RIMM that uses RAMBUS DRAM memory. This is a memory IC that reads ID in order for the Plug & Play feature to operate.

* I²C BUS is a registered trademark of Philips.

● Applications

General purpose

● Features

- 1) 256k registers × 8 bits serial architecture
- 2) Single power supply (1.8V to 5.5V)
- 3) Two wire serial interface
- 4) Page Write Function (16byte)
- 5) Write Protect Mode

Write protect 1 (Onetime Rom)	: 00h to 7Fh
Write protect 2 (Hardwire WP PIN)	: 00h to FFh
- 6) Low Power consumption

Write (5V)	: 1.2mA (Typ.)
Read (5V)	: 0.2mA (Typ.)
Standby (5V)	: 0.1μA (Typ.)
- 7) DATA security

Write protect feature (WP pin)	
Inhibit to WRITE at low V _{cc}	
- 8) Small package - - - - - SSOP-B8 pin
- 9) High reliability fine pattern CMOS technology
- 10) Endurance : 1,000,000 erase/write cycles
- 11) Data retention : 40years
- 12) Filtered inputs in SCL•SDA for noise suppression
- 13) Initial data FFh in all address

● Absolute maximum ratings (Ta=25°C)

Parameter	Symbol	Limits	Unit
Supply voltage	V _{cc}	-0.3 to +6.5	V
Power dissipation	P _d	300(SSOP-B8) *1	mW
Storage temperature	T _{stg}	-65 to +125	°C
Operating temperature	T _{opr}	-40 to +85	°C
Terminal voltage	-	-0.3 to V _{cc} +0.3	V

*1 Reduced by 3.0mW for each increase in Ta of 1°C over 25°C.

Memory ICs

●Recommended operating conditions (Ta=25°C)

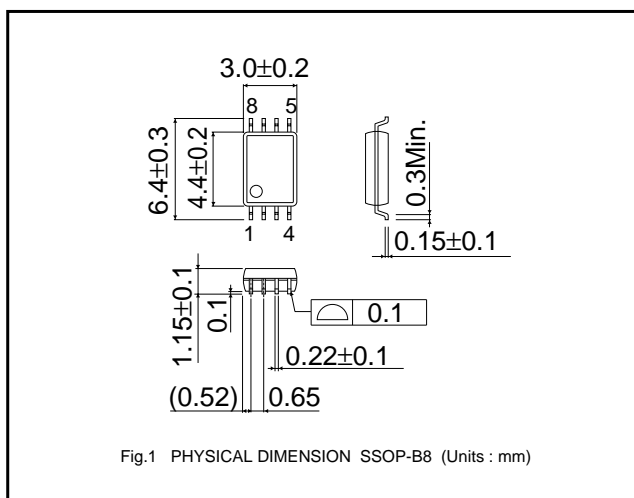
Parameter	Symbol	Limits	Unit
Supply voltage	V _{CC}	1.8 to 5.5	V
Input voltage	V _{IN}	0 to V _{CC}	V

●DC operating characteristics (Unless otherwise specified Ta= -40 to 85°C, V_{CC}=1.8 to 5.5V)

Parameter	Symbol	Min.	Typ.	Max.	Unit	Conditions
"HIGH" input voltage 1	V _{IH1}	0.7V _{CC}	–	–	V	2.5V ≤ V _{CC} ≤ 5.5V
"LOW" input voltage 1	V _{IL1}	–	–	0.3V _{CC}	V	2.5V ≤ V _{CC} ≤ 5.5V
"HIGH" input voltage 2	V _{IH2}	0.8V _{CC}	–	–	V	1.8V ≤ V _{CC} < 2.5V
"LOW" input voltage 2	V _{IL2}	–	–	0.2V _{CC}	V	1.8V ≤ V _{CC} < 2.5V
"LOW" output voltage 1	V _{OL1}	–	–	0.4	V	I _{OL} =3.0mA, 2.5V ≤ V _{CC} ≤ 5.5V, (SDA)
"LOW" output voltage 2	V _{OL2}	–	–	0.2	V	I _{OL} =0.7mA, 1.8V ≤ V _{CC} < 2.5V, (SDA)
Input leakage current 1	I _{LI 1}	–1	–	+1	μA	V _{IN} =0V to V _{CC}
Input leakage current 2	I _{LI 2}	–1	–	+15	μA	V _{IN} =0V to V _{CC} (WP)
Output leakage current	I _{LO}	–1	–	+1	μA	V _{OUT} =0V to V _{CC}
Operating current	I _{CC1}	–	–	2.0	mA	V _{CC} =5.5V, f _{SCL} =400kHz, t _{WR} =5ms, Byte Write, Page Write, Write Protect
	I _{CC2}	–	–	0.5	mA	V _{CC} =5.5V, f _{SCL} =400kHz Random Read, Current Read, Sequential Read
Standby current	I _{SB}	–	–	2.0	μA	V _{CC} =5.5V, SDA=SCL=V _{CC} , A0, A1, A2=GND, WP=GND

*This product is not designed for protection against radioactive rays.

●Dimension



Memory ICs

●Block diagram

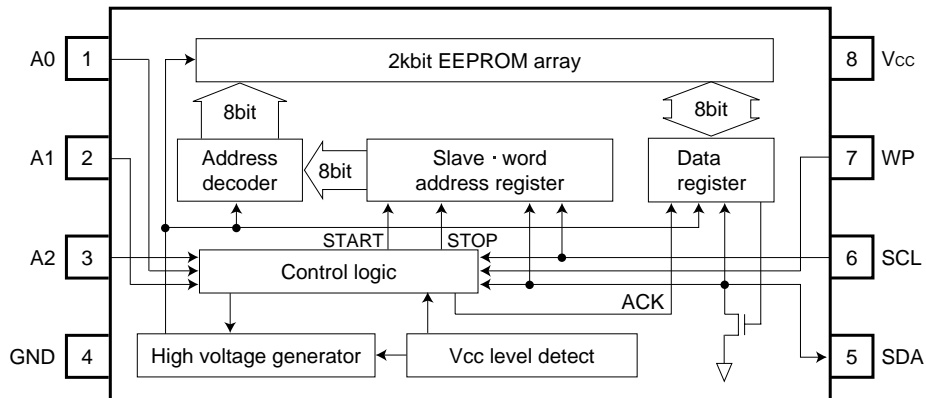


Fig.2 BLOCK DIAGRAM

●Pin configuration

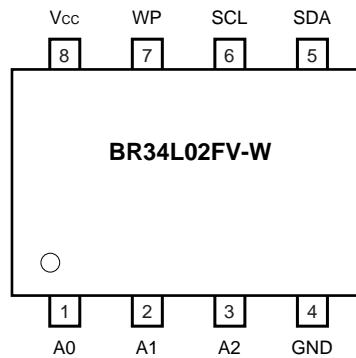


Fig.3 PIN LAYOUT

●Pin descriptions

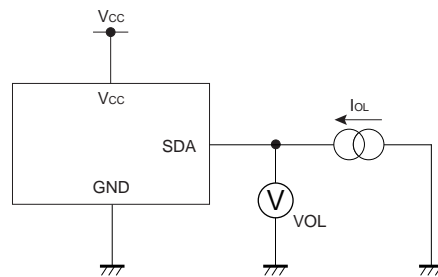
Pin name	I / O	Function
Vcc	–	Power supply
GND	–	Ground (0V)
A0, A1, A2	IN	Slave address set
SCL	IN	Serial clock input
SDA	IN / OUT	Slave and word address, serial data input, serial data output *1
WP	IN	Write protect input *2

*1 An open drain output requires a pull-up resistor.

*2 WP Pin has a Pull-Down resistor. Please be left unconnected or connect to GND when WP feature is not in use.

Memory ICs

● Test circuit



OUTPUT="L"

Fig.4 "L" OUTPUT VOLTAGE TEST CIRCUIT

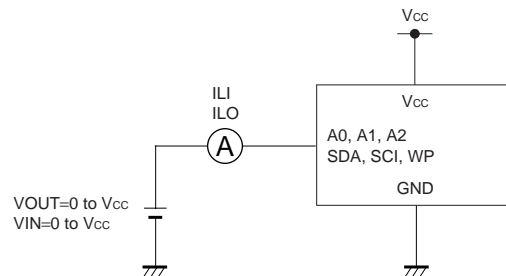


Fig.5 INPUT/OUTPUT CURRENT TEST CIRCUIT

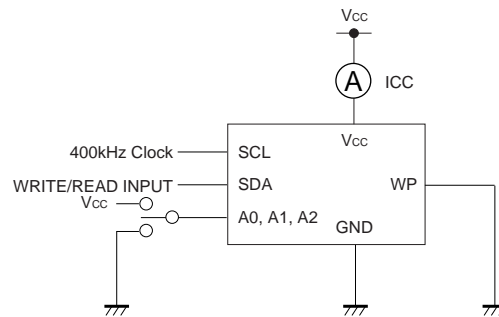


Fig.6 POWER CONSUMPTION TEST CIRCUIT

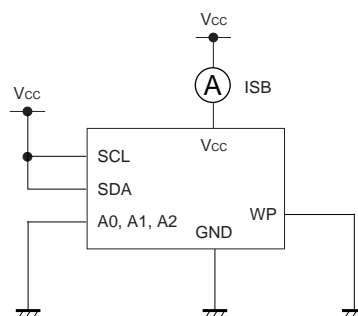


Fig.7 STANDBY CURRENT VOLTAGE TEST CIRCUIT

Memory ICs

●AC operating characteristics (Unless otherwise specified Ta= -40 to 85°C, Vcc=1.8 to 5.5V)

Parameter	Symbol	Fast-mode 2.5V ≤ Vcc ≤ 5.5V			Standard-mode 1.8V ≤ Vcc ≤ 5.5V			Unit
		Min.	Typ.	Max.	Min.	Typ.	Max.	
Clock frequency	fSCL	–	–	400	–	–	100	kHz
Data clock "HIGH" period	tHIGH	0.6	–	–	4.0	–	–	μs
Data clock "LOW" period	tLOW	1.2	–	–	4.7	–	–	μs
SDA and SCL rise time *1	tR	–	–	0.3	–	–	1.0	μs
SDA and SCL fall time *1	tF	–	–	0.3	–	–	0.3	μs
Start condition hold time	tHD:STA	0.6	–	–	4.0	–	–	μs
Start condition setup time	tSU:STA	0.6	–	–	4.7	–	–	μs
Input data hold time	tHD:DAT	0	–	–	0	–	–	ns
Input data setup time	tSU:DAT	50	–	–	50	–	–	ns
Output data delay time	tPD	0.1	–	0.9	0.2	–	3.5	μs
Output data hold time	tDH	0.1	–	–	0.2	–	–	μs
Stop condition setup time	tSU:STO	0.6	–	–	4.7	–	–	μs
Bus free time	tBUF	1.2	–	–	4.7	–	–	μs
Write cycle time	tWR	–	–	5	–	–	5	ms
Noise spike width (SDA and SCL)	tl	–	–	0.1	–	–	0.1	μs
WP hold time	tHD:WP	0	–	–	0	–	–	ns
WP setup time	tSU:WP	0.1	–	–	0.1	–	–	μs
WP high period	tHIGH:WP	1.0	–	–	1.0	–	–	μs

*1 Not 100% tested.

Memory ICs

●Synchronous data timing

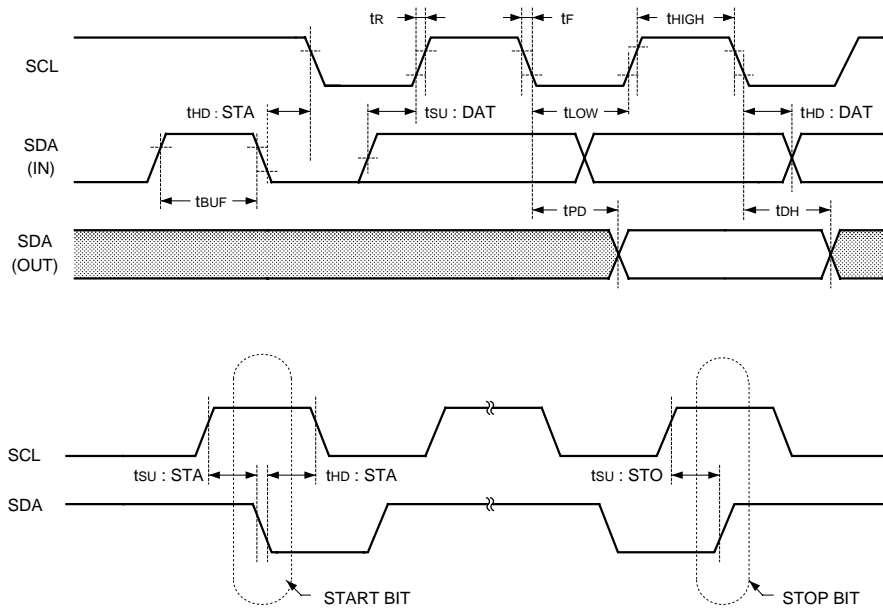


Fig.8 SYNCHRONOUS DATA TIMING

- SDA data is latched into the chip at the rising edge of SCL clock.
- Output data toggles at the falling edge of SCL clock.

●Write cycle timing

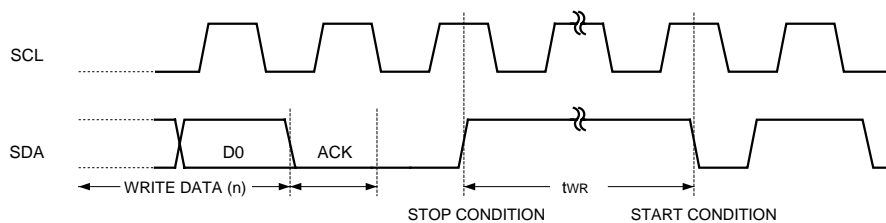


Fig.9 WRITE CYCLE TIMING

Memory ICs

●WP timing

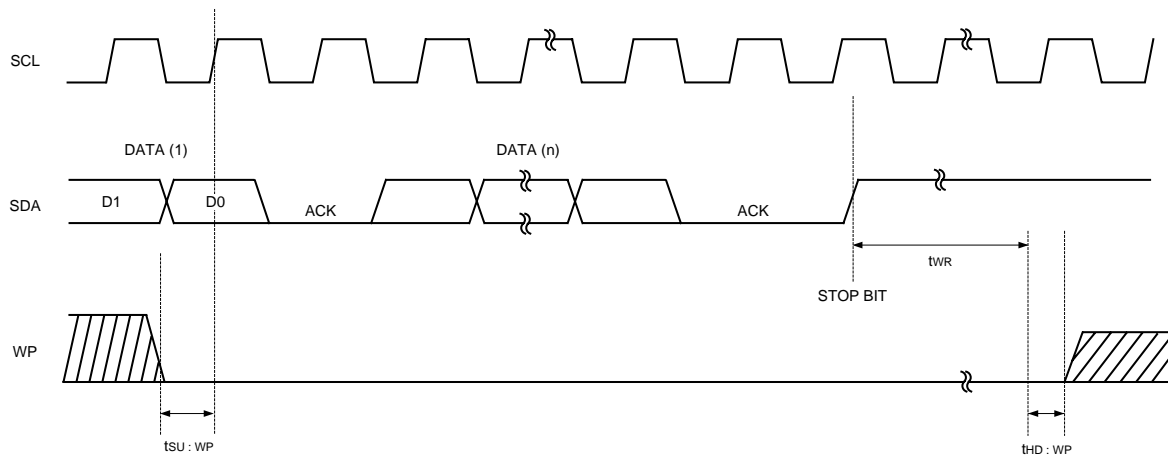


Fig.10(a) WP TIMING OF THE WRITE OPERATION

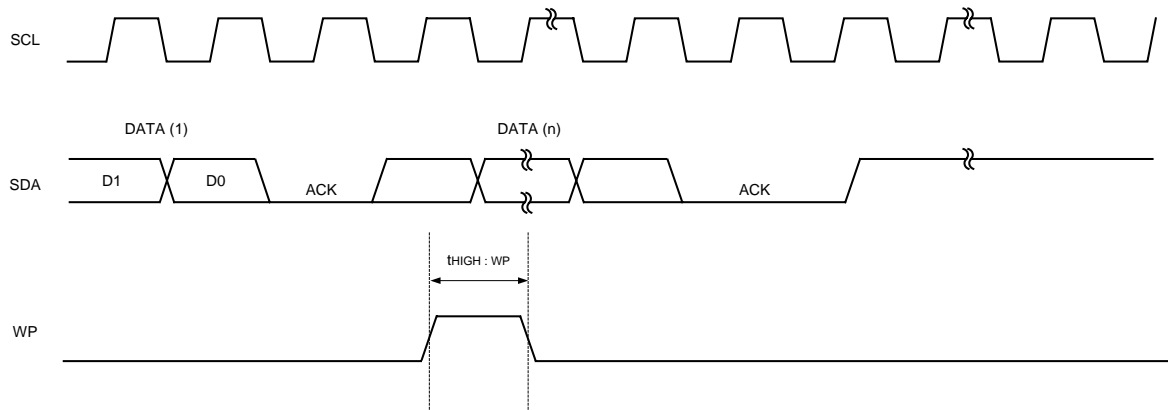


Fig.10(b) WP TIMING OF THE WRITE CANCEL OPERATION

- For the WRITE operation, WP must be "LOW" during the period of time from the rising edge of the clock which takes in D0 of first byte until the end of t_{WR} . (See Fig.10(a))
During this period, WRITE operation is canceled by setting WP "HIGH". (See Fig.10(b))
- In the case of setting WP "HIGH" during t_{WR} , WRITE operation is stopped in the middle and the data of accessing address is not guaranteed. Please write correct data again in the case.

Memory ICs

●Device operation

- 1) Start condition (Recognition of start bit)
 - All commands are proceeded by the start condition, which is a HIGH to LOW transition of SDA when SCL is HIGH.
 - The device continuously monitors the SDA and SCL lines for the start condition and will not respond to any command until this condition has been met.
(See Fig.8 SYNCHRONOUS DATA TIMING)
- 2) Stop condition (Recognition of stop bit)
 - All communications must be terminated by a stop condition, which is a LOW to HIGH transition of SDA when SCL is HIGH.
(See Fig.8 SYNCHRONOUS DATA TIMING)
- 3) Notice about write command
 - In the case that stop condition is not executed in WRITE mode, transferred data will not be written in a memory.
- 4) Device addressing
 - Following a START condition, the master output the device address to be accessed. The most significant four bits of the slave address are the "device type identifier". For the device this is fixed as "1010".
(In access to WP resistor, this code use "0110".)
 - The next three bit (device address) address a particular to the bus. The device address is defined by the start of A0, A1 and A2 input pins. This IC works only when the device address inputted from SDA pin correspond to the state of A0, A1 and A2 input pins. Using this address scheme, up to eight device may be connected, to the bus. The last bit of the stream (R/\overline{W} --- READ/ \overline{WRITE}) determines the operation to the performed.

$R/\overline{W}=0$ WRITE (including word address input of Random Read)
 $R/\overline{W}=1$ READ

Device Type	Device Address				
1010	A2	A1	A0	R / \overline{W}	Access to Memory
0110	A2	A1	A0	R / \overline{W}	Access to Write Protect Resister

- 5) Write protect command
 - Write Protect Command is to cancel any write command, which access to the address 00 to 7Fh. Write Protect Resister can be written for once. (Onetime Rom)
Once this command is executed, the data is protected forever.
- 6) Write protect pin (WP)
 - When WP pin set to Vcc (H level), write protect is set for 256words (all address).
When WP pin set to GND (L level), it is enable to write 256words (all address).
If permanent protection is done by Write Protect command, lower half area (00 to 7Fh address) is inhibited writing regardless of WP pin state.
WP pin has a Pull-Down resistor. Please be left unconnected or connect to GND when WP feature is not in use.

Memory ICs

7) Acknowledge

- Acknowledge is a software convention used to indicate successful data transfers.
The Transmitter device will release the bus after transmitting eight bits.
(When inputting the slave address in the write or read operation, transmitter is μ -COM. When outputting the data in the read operation, it is this device.)
- During the ninth clock cycle, the receiver will pull the SDA line LOW to acknowledge that the eight bits of data has been received.
(When inputting the slave address in the write or read operation, receiver is this device. When outputting the data in the read operation, it is μ -COM.)
- The device will respond with an Acknowledge after recognition of a START condition and its slave address (8bit).
- In the WRITE mode, the device will respond with an Acknowledge, after the receipt of each subsequent 8-bit word (word address and write data).
- In the READ mode, the device will transmit eight bit of data, release the SDA line, and monitor the line for an Acknowledge.
- If an Acknowledge is detected, and no STOP condition is generated by the master, the device will continue to transmit the data.
If an Acknowledge is not detected, the device will terminate further data transmissions and await a STOP condition before returning to the standby mode.
(See Fig.11 ACKNOWLEDGE RESPONSE FROM RECEIVER)

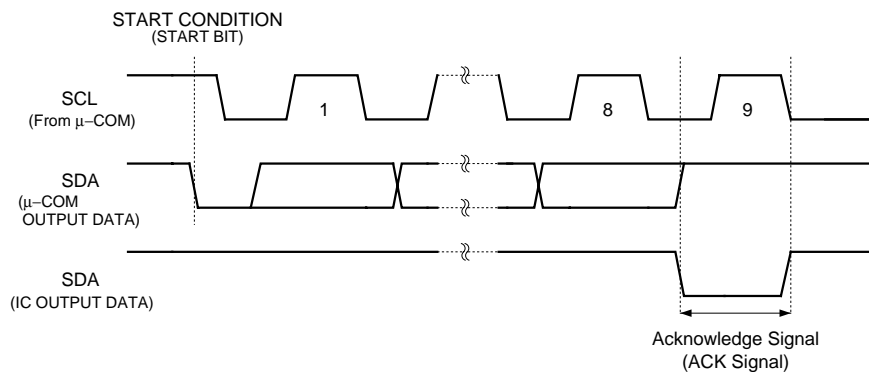


Fig.11 ACKNOWLEDGE RESPONSE FROM RECEIVER

Memory ICs

●Byte write

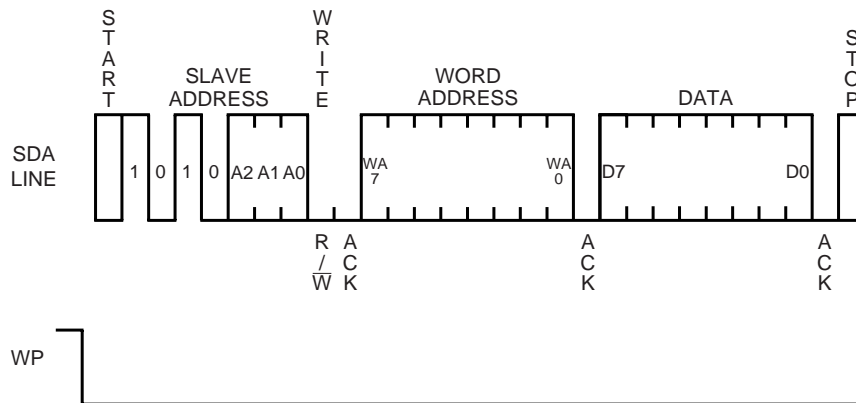


Fig.12 BYTE WRITE CYCLE TIMING

- By using this command, the data is programmed into the indicated word address.
- When the master generates a STOP condition, the device begins the internal write cycle to the nonvolatile memory array.

●Page write

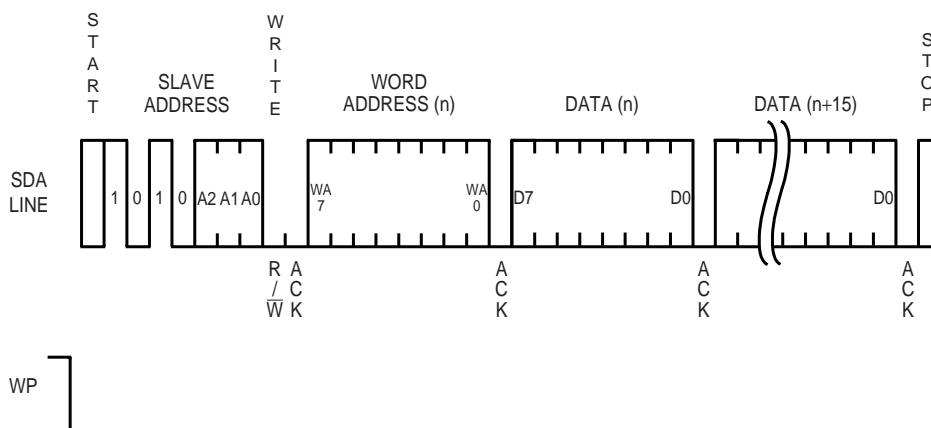


Fig.13 PAGE WRITE CYCLE TIMING

- This device is capable of sixteen byte Page Write operation.
- When two or more byte data are inputted, the four low order address bits are internally incremented by one after the receipt of each word. The four higher order bits of the address (WA7 to WA4) remain constant.
- If the master transmits more than sixteen words, prior to generating the STOP condition, the address counter will "roll over", and the previous transmitted data will be overwritten.

Memory ICs

●Current read

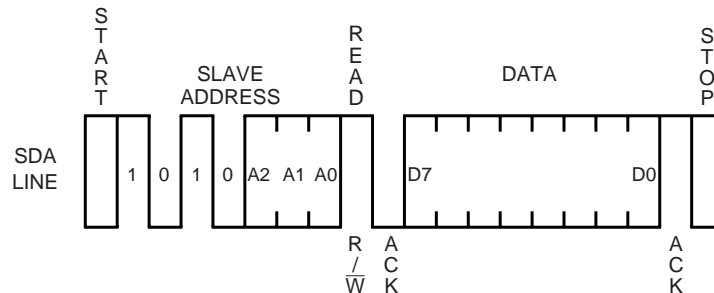


Fig.14 CURRENT READ CYCLE TIMING

- In case that the previous operation is Random or Current Read (which includes Sequential Read respectively), the internal address counter is increased by one from the last accessed address (n). Thus Current Read outputs the data of the next word address (n+1). If the last command is Byte or Page Write, the internal address counter stays at the last address (n). Thus Current Read outputs the data of the word address (n).
- If an Acknowledge is detected, and no STOP condition is generated by the master (μ -COM), the device will continue to transmit the data. [It can transmit all data (2kbit 256word)]
- If an Acknowledge is not detected, the device will terminate further data transmissions and await a STOP condition before returning to the standby mode.

NOTE) If an Acknowledge is detected with "Low" level, not "High" level, command will become Sequential Read. So the device transmits the next data, Read is not terminated. In the case of terminating Read, input Acknowledge with "High" always, then input stop condition.

●Random read

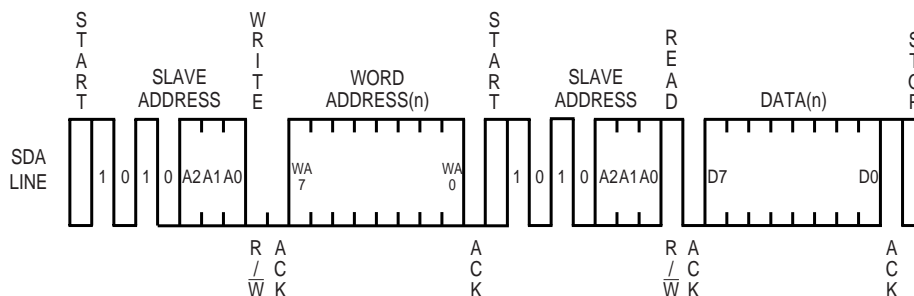


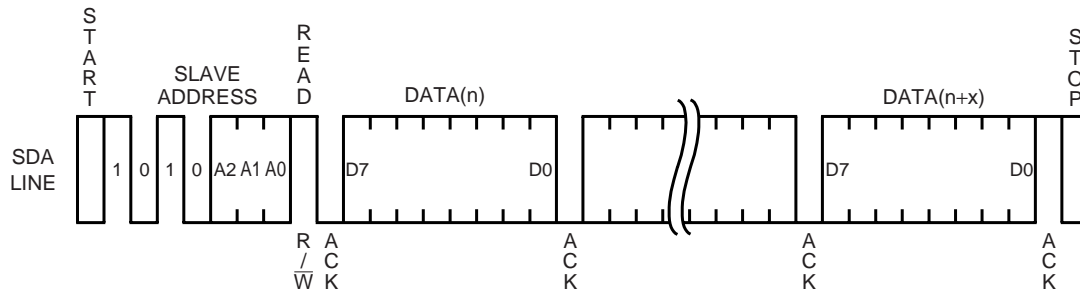
Fig.15 RANDOM READ CYCLE TIMING

- Random Read operation allows the master to access any memory location indicated word address.
- If an Acknowledge is detected, and no STOP condition is generated by the master (μ -COM), the device will continue to transmit the data. [It can transmit all data (2kbit 256word)]
- If an Acknowledge is not detected, the device will terminate further data transmissions and await a STOP condition before returning to the standby mode.

NOTE) If an Acknowledge is detected with "Low" level, not "High" level, command will become Sequential Read. So the device transmits the next data, Read is not terminated. In the case of terminating Read, input Acknowledge with "High" always, then input stop condition.

Memory ICs

●Sequential read

Fig.16 SEQUENTIAL READ CYCLE TIMING
(Current Read)

- If an Acknowledge is detected, and no STOP condition is generated by the master (μ -COM), the device will continue to transmit the data. [It can transmit all data (2kbit 256word)]
- If an Acknowledge is not detected, the device will terminate further data transmissions and await a STOP condition before returning to the standby mode.
- The Sequential Read operation can be performed with both Current Read and Random Read.

NOTE) If an Acknowledge is detected with "Low" level, not "High" level, command will become Sequential Read. So the device transmits the next data, Read is not terminated. In the case of terminating Read, input Acknowledge with "High" always, then input stop condition.

●Write protect

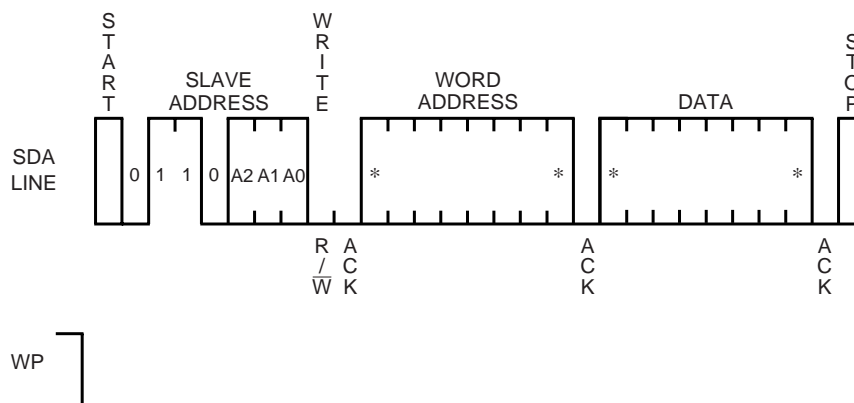


Fig.17 WRITE PROTECT CYCLE TIMING

- Using this command, writing is inhibited in lower half area. (00h to 7Fh address) If Write Protect Command is executed, cannot cancel the protection permanently. (Onetime Rom)
- This Command is cancelled, if Write Protect Command is already executed.
- During this command, please be left WP unconnected or connect WP to GND.
- This command need the period of t_{WR} after stop condition just like Byte or Page Write command. During the t_{WR} , next command is ignored.

Memory ICs

●Application

1) WP effective timing

WP is fixed to "H" or "L" usually. But in case of controlling WP to cancel the write command, please pay attention to [WP effective timing] as follows.

During write command input, write command is canceled by controlling WP "H" within the WP cancellation effective period.

The period from the start condition to the rising edge of the clock which take in D0 of the data (the first byte of the data for Page Write) is the cancellation invalid period. WP input is don't care during the period. Setup time for rising edge of the SCL which takes in D0 must be more than 100ns.

The period from the rising edge of SCL which takes in D0 to the end of internal write cycle (t_{WR}) is the cancellation effective period. In case of setting WP to "H" during t_{WR} , WRITE operation is stopped in the middle and the data of accessing address is not guaranteed, so that write correct data again please.

It is not necessary waiting t_{WR} (5msmax.) after stopping command by WP, because the device is stand by state.

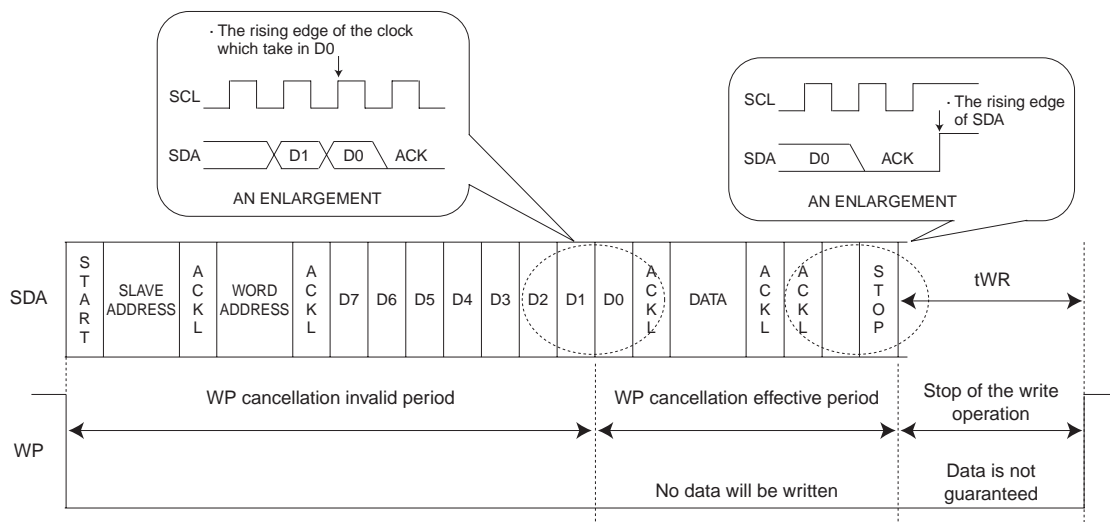


Fig.18 WP EFFECTIVE TIMING

Memory ICs

2) Software reset

Please execute software reset in care that the device is an unexpected state after power up and/or the command input need to be reset.

There are some kinds of software reset. Here we show three types of example as follows.

During dummy clock, please release SDA bus (tied to Vcc by pull up resistor).

During that time, the device may pull the SDA line LOW for acknowledge or outputting or read data.

If the master controls the SDA line HIGH, it will conflict with the device output LOW then it makes a current overload. It may cause instantaneous power down and may damage the device.

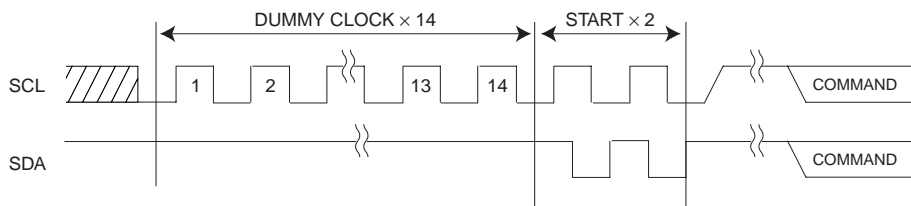


Fig.19-(a) DUMMY CLOCK × 14 + START + START

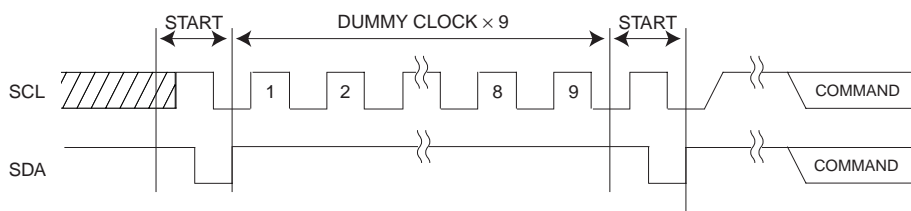


Fig.19-(b) START+ DUMMY CLOCK × 9 + START

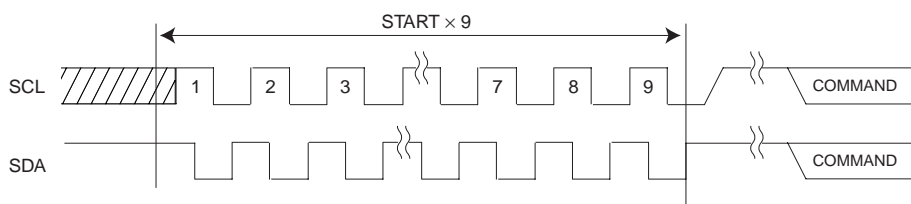


Fig.19-(c) START × 9

* COMMAND starts with start condition.

Memory ICs

3) Acknowledge polling

Since the device ignore all input commands during the internal write cycle, no ACK will be returned.

When the master send the next command after the write command, if the device returns the ACK, it means that the program is completed. If no ACK is returned, it means that the device is still busy.

By using Acknowledge polling, the waiting time is minimized less than $t_{WR}=5ms$.

In case of operating Write or Current Read right after Write, first, send the slave address ($\overline{R/\overline{W}}$ is "HIGH" or "LOW" respectively). After the device returns the ACK, continue word address input or data output respectively.

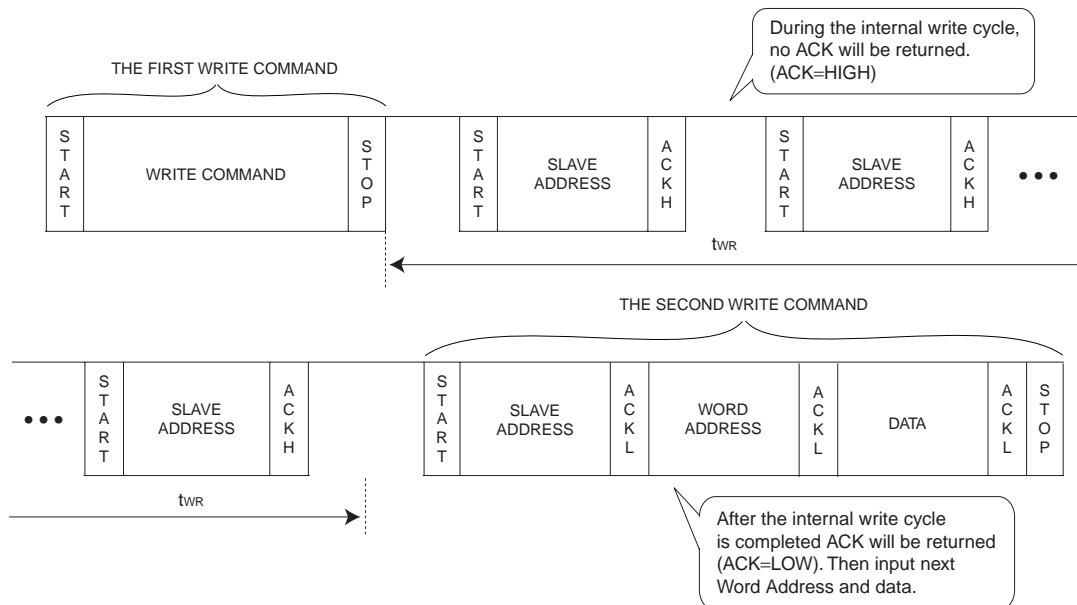


Fig.20 SUCCESSIVE WRITE OPERATION BY ACKNOWLEDGE POLLING

4) Command cancellation by start and stop condition

During a command input, it is canceled by the successive inputs of start condition and stop condition. (Fig.21)

But during ACK or data output, the device may output the SDA line LOW. In such cases, operation of start and stop condition is impossible, so that the reset can't work. Execute the software reset in the cases. (See Page14)

Operating the command cancel by start and stop condition during the command of Random Read or Sequential Read or Current Read, internal address counter is not confirmed.

Therefore operation of Current Read after this is not valid. Operate a Random Read in this case.

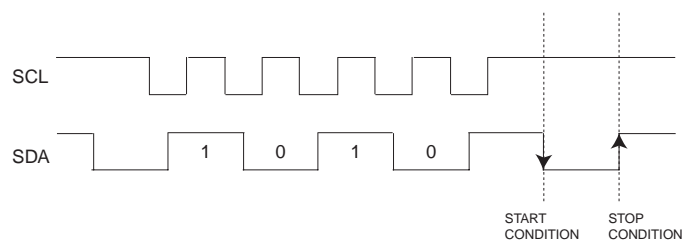


Fig.21 COMMAND CANCELLATION BY START AND STOP CONDITION DURING THE INPUT OF SLAVE ADDRESS

Memory ICs

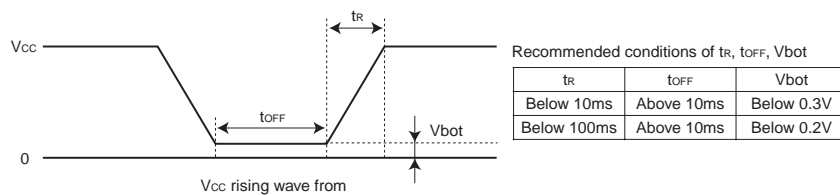
5) Notes for power supply

V_{CC} rises through the low voltage region in which internal circuit of IC and the controller are unstable, so that device may not work properly due to an incomplete reset of internal circuit.

To prevent this, the device has the feature of P.O.R. and LVCC.

In the case of power up, keep the following conditions to ensure functions of P.O.R. and LVCC.

- (1) It is necessary to be "SDA='H'" and "SCL='L' or 'H'"
- (2) Follow the recommended conditions of t_r , t_{OFF} , V_{bot} for the function of P.O.R. during power up.

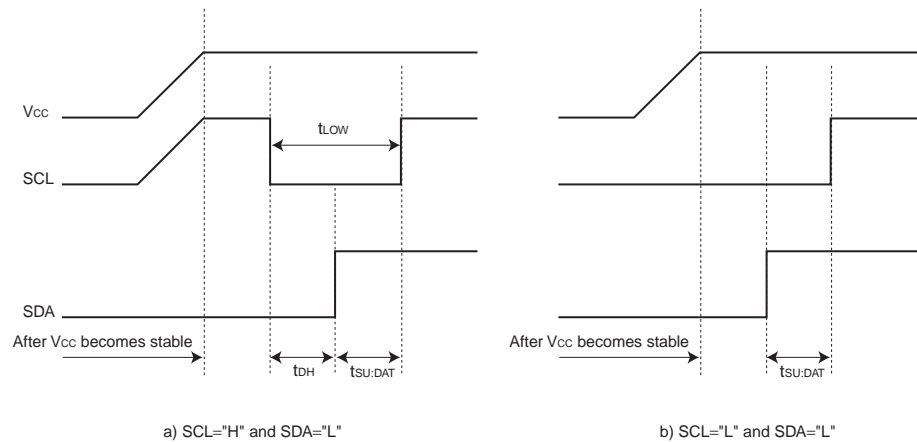


- (3) Prevent SDA and SCL from being "Hi-Z".

In case that condition 1. and/or 2. cannot be met, take following actions.

A) Unable to keep condition 1. (SDA is "LOW" during power up.)

→ Control SDA, SCL to be "HIGH" as figure below.



B) Unable to keep condition 2.

→ After power becomes stable, execute software reset. (See Page14)

C) Unable to keep both conditions 1 and 2.

→ Follow the instruction A first, then the instruction B.

• LVCC circuit

LVCC circuit inhibit write operation at low voltage, and prevent an inadvertent write.

Below the LVCC voltage (Typ.=1.2V), write operation is inhibited.

Memory ICs

6) I/O circuit

- Pull up resistor of SDA pin

The pull up resistor is needed because SDA is NMOS open drain. Decide the value of this resistor (R_{PU}) properly, by considering V_{IL}, I_L characteristics of a controller which control the device and V_{OH}, I_{OL} characteristics of the device. If large R_{PU} is chosen, clock frequency need to be slow.

In case of small R_{PU}, the operating current increases.

- Maximum of R_{PU}

Maximum of R_{PU} is determined by following factor.

① SDA rise time determined by R_{PU} and the capacitance of bus line (CBUS) must be less than T_R.

And the other timing must keep the conditions of AC spec.

② When SDA bus is HIGH, the voltage (A) of SDA bus determined by a total input leak (I_L) of the all devices connected to the bus and R_{PU} must be enough higher than input HIGH level of a controller and the device, including noise margin 0.2V_{CC}.

$$V_{CC} - I_L R_{PU} - 0.2V_{CC} \geq V_{IH}$$

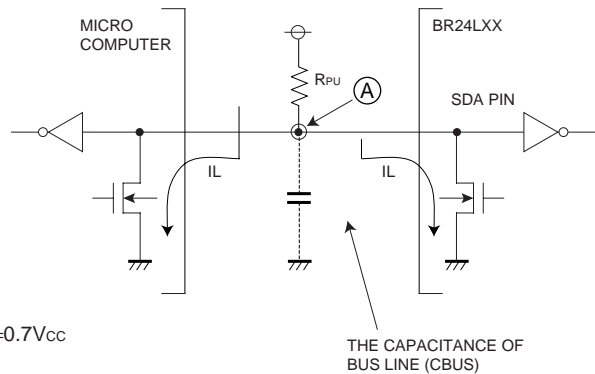
$$\therefore R_{PU} \leq \frac{0.8V_{CC} - V_{IH}}{I_L}$$

Examples : When V_{CC}=3V I_L=10μA V_{IH}=0.7V_{CC}

According to ②

$$R_{PU} \leq \frac{0.8 \times 3 - 0.7 \times 3}{10 \times 10^{-6}}$$

$$\leq 300 \text{ [k}\Omega\text{]}$$



Memory ICs

- The minimum value RPU

The minimum value of RPU is determined by following factors.

- ① Meet the condition that $V_{OLMAX}=0.4V$, $I_{OLMAX}=3mA$ when the device output low on SDA line.

$$\frac{V_{CC} - V_{OL}}{R_{PU}} \leq I_{OL}$$

$$\therefore R_{PU} \geq \frac{V_{CC} - V_{OL}}{I_{OL}}$$

- ② $V_{OLMAX} (=0.4V)$ must be lower than the input LOW level of the controller and the EEPROM including recommended noise margin ($0.1V_{CC}$).

$$V_{OLMAX} \leq V_{IL} - 0.1V_{CC}$$

Examples : $V_{CC}=3V$, $V_{OL}=0.4V$, $I_{OL}=3mA$, the V_{IL} of the controller and the EEPROM is $V_{IL}=0.3V_{CC}$

According to ① $R_{PU} \geq \frac{3-0.4}{3 \times 10^{-3}}$

$$\geq 867 [\Omega]$$

and $V_{OL}=0.4[V]$
 $V_{IL}=0.3 \times 3$
 $=0.9[V]$

so that condition ② is met

- Pull up resistor of SCL pin

In the case that SCL is controlled by CMOS output, the pull up resistor of SCL is not needed.

But in the case that there is a timing at which SCL is Hi-Z, connect SCL to Vcc with pull up resistor.

Several ~ several dozen kΩ is recommended as a pull up resistor, which is considered with the driving ability of the output port of the controller.

7) Connections of A0, A1, A2, WP pin

- Connections of device address pin (A0, A1, A2)

The state of device address PIN are compared with the device address send by the master, then one of the devices which are connected to the identical bus is selected. Pull up or down these pins, or connect them to Vcc or GND.

- Connections of WP pin

The WP input allows or inhibits write operations. When WP is HIGH, only READ is available and WRITE to any address is inhibited. Both Read and Write are available when WP is LOW.

In the case that the device is used as a ROM, it is recommended that WP is pulled up or connected to Vcc.

In the case that both READ and WRITE are operated, WP pin must be pulled down or connected to GND, controlled, or be left unconnected. (WP has a pull down resistor. So it is allowed to be left unconnect)

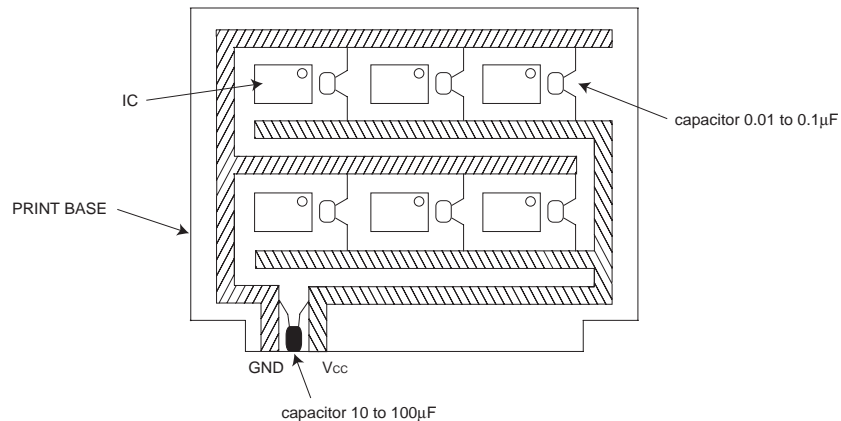
Memory ICs

8) Notes for noise on Vcc

- About bypass capacitor

Noise and surges on power line may cause the abnormal function. It is recommended that the bypass capacitors (0.1 μ F) are attached on the Vcc and GND line beside the device.

The attachment of bypass capacitors on the board near by connector is also recommended.



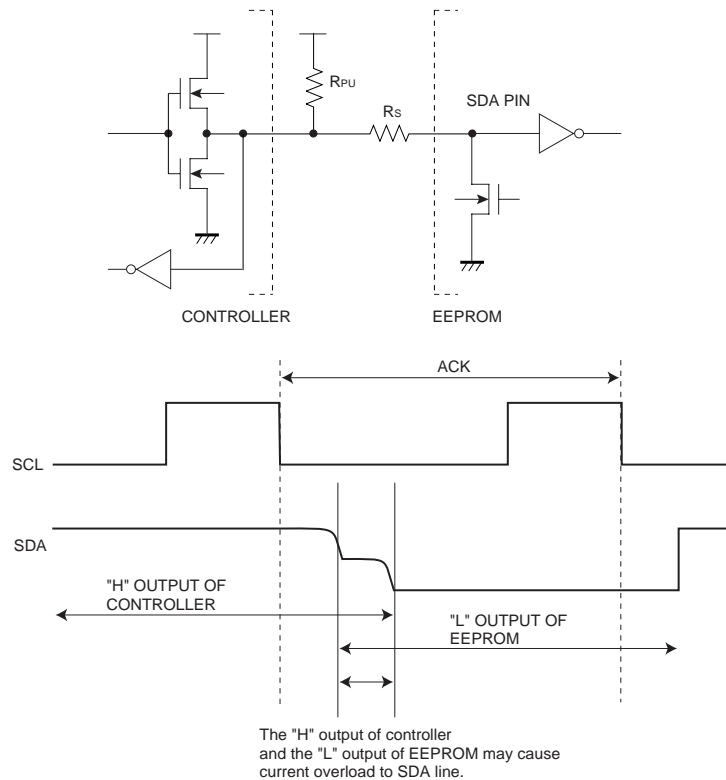
9) The notice about the connection of controller

- About Rs

The open drain interface is recommended for SDA port in I²C BUS. But, in the case that Tri-state CMOS interface is applied to SDA, insert a series resistor R_s between SDA pin of the device and a pull up resistor R_{pu}.

It limits the current from PMOS of controller to NMOS of EEPROM.

R_s also protects SDA pin from surges. Therefore, R_s is able to be used though SDA port is open drain.



Memory ICs

• The maximum value of Rs

The maximum value of Rs is determined by following factors.

- ① SDA rise time determined by RPU and the capacitance of bus line (CBUS) of SDA must be less than tr. And the other timing must also keep the conditions of the AC timing.
- ② When the device outputs LOW on SDA line, the voltage of the bus (A) determined by RPU and Rs must be lower than the inputs LOW level of the controller, including recommended noise margin (0.1Vcc).

$$\frac{(V_{CC}-V_{OL}) \times R_s}{R_{PU}+R_s} + V_{OL} + 0.1V_{CC} \leq I_{OL}$$

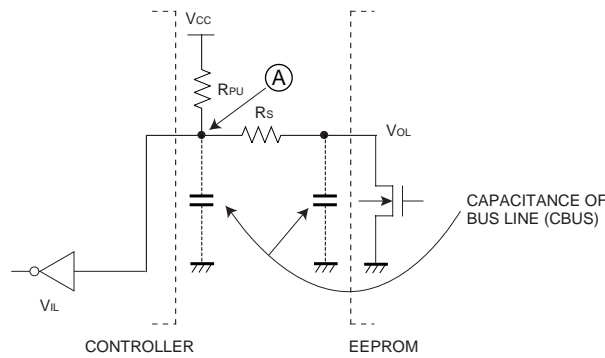
$$\therefore R_s \leq \frac{V_{IL}-V_{OL}-0.1V_{CC}}{1.1V_{CC}-I_{IL}} \times R_{PU}$$

Examples : When Vcc=3V, Vil=0.3Vcc, Vol=0.4V, Rpu=20kΩ

According to ②

$$R_s \leq \frac{0.3 \times 3 - 0.4 - 0.1 \times 3}{1.1 \times 3 - 0.3 \times 3} \times 20 \times 10^3$$

$$\leq 1.67 \text{ [k}\Omega\text{]}$$



• The minimum value of Rs

The minimum value of Rs is determined by the current overload due to the conflict on the bus.

The current overload may cause noises on the power line and instantaneous power down.

The following conditions must be met, where I is the maximum permissible current.

The maximum permissible current depends on VCC line impedance and so on. It need to be less than 10mA for EEPROM.

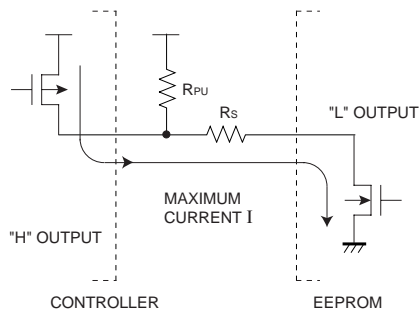
$$\frac{V_{CC}}{R_s} \leq I$$

$$\therefore R_s \geq \frac{V_{CC}}{I}$$

Examples : When Vcc=3V, I=10mA

$$R_s \geq \frac{3}{10 \times 10^{-3}}$$

$$\geq 300 \text{ [}\Omega\text{]}$$



Memory ICs

10) The special character data

The following characteristic data are typ value.

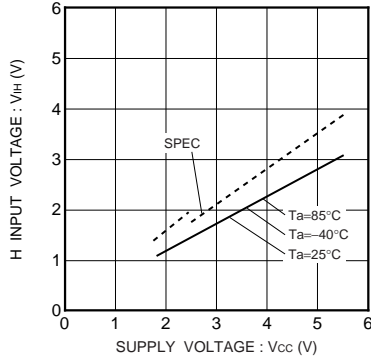


Fig.22 High input voltage V_{IH}
(A0,A1,A2,SCL,SDA,WP)

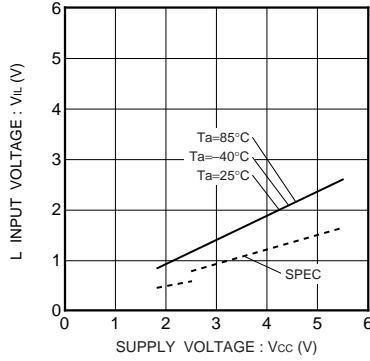


Fig.23 Low input voltage V_{IL}
(A0,A1,A2,SCL,SDA,WP)

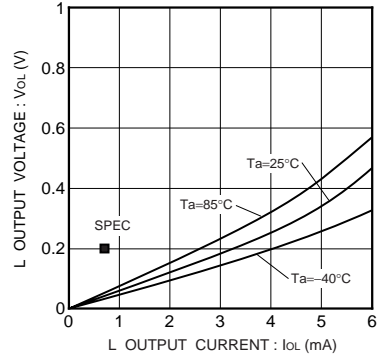


Fig.24 Low output voltage V_{OL-IOL}
($V_{CC}=1.8V$)

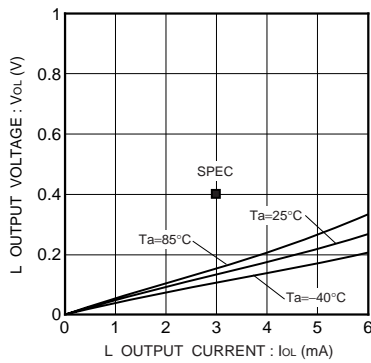


Fig.25 Low output voltage V_{OL-IOL}
($V_{CC}=2.5V$)

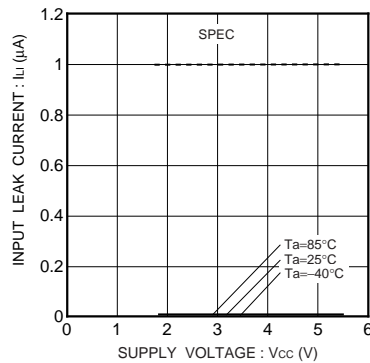


Fig.26 Input leakage current I_{LI}
(A0,A1,A2,SCL,WP)

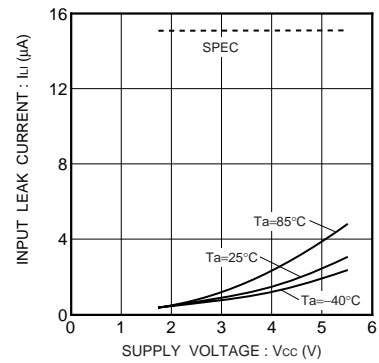


Fig.27 Input leakage current I_{LI} (WP)

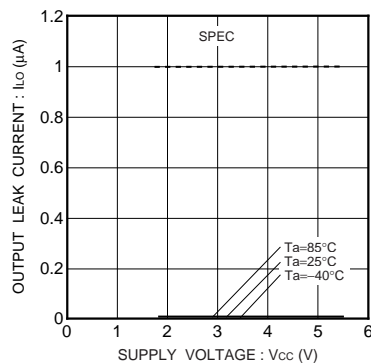


Fig.28 Output leakage current I_{LO} (SDA)

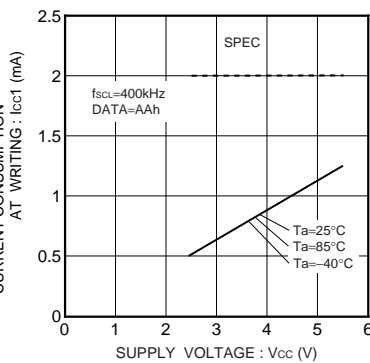


Fig.29 Write operating current I_{CC1}
($f_{scl}=400kHz$)

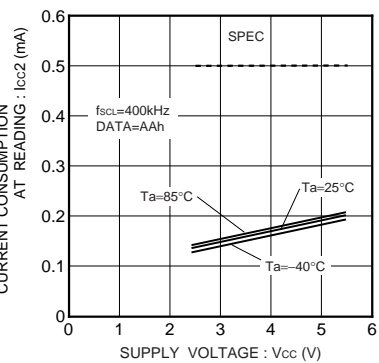


Fig.30 Read operating current I_{CC2}
($f_{scl}=400kHz$)

Memory ICs

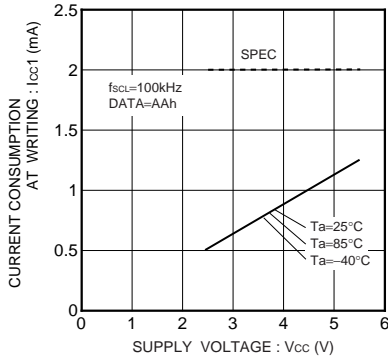


Fig.31 Write operating current I_{cc1} ($f_{scL}=100\text{kHz}$)

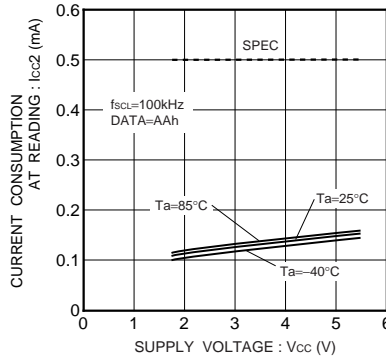


Fig.32 Read operating current I_{cc2} ($f_{scL}=100\text{kHz}$)

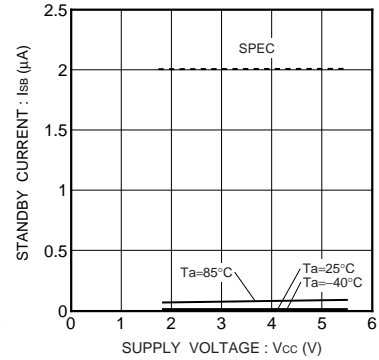


Fig.33 Standby current I_{sB}

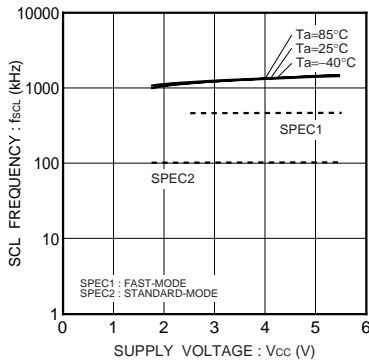


Fig.34 Clock frequency f_{scL}

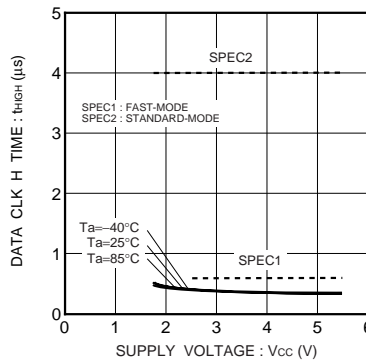


Fig.35 Data clock "H" period t_{HIGH}

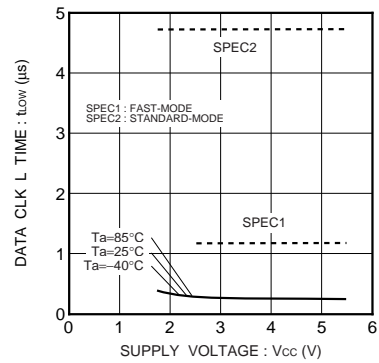


Fig.36 Data clock "L" period t_{LOW}

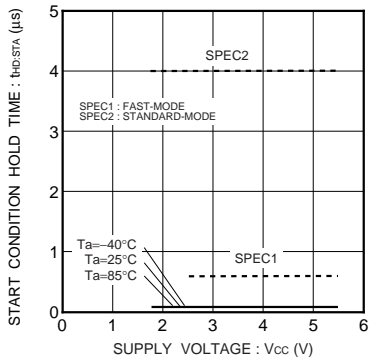


Fig.37 Start condition hold time $t_{HD:STA}$

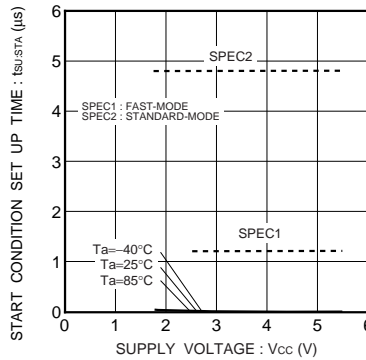


Fig.38 Start condition setup time $t_{SU:STA}$

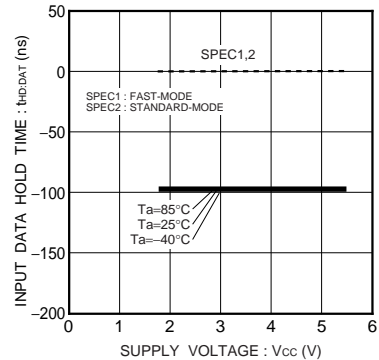


Fig.39 Input data hold time $t_{HD:DAT(HIGH)}$

Memory ICs

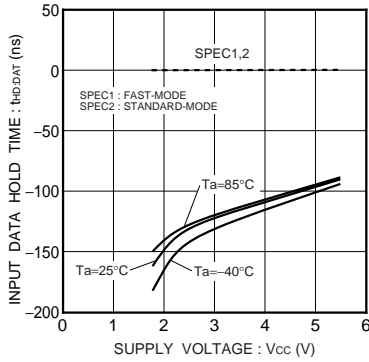


Fig.40 Input data hold time $t_{HD:DAT}(LOW)$

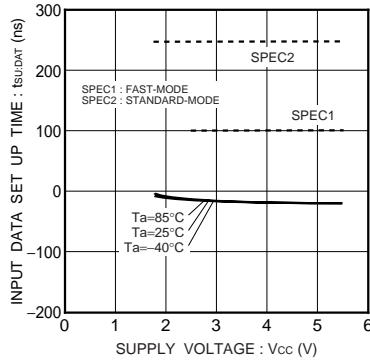


Fig.41 Input data setup time $t_{SU:DAT}(HIGH)$

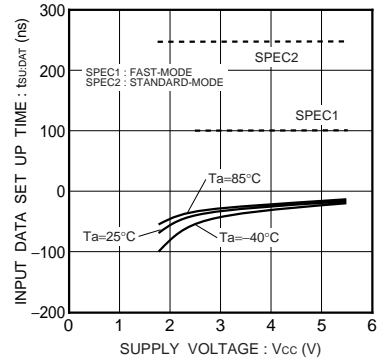


Fig.42 Input data setup time $t_{SU:DAT}(LOW)$

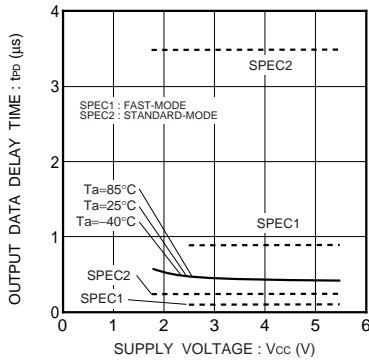


Fig.43 Output data delay time t_{PD0}

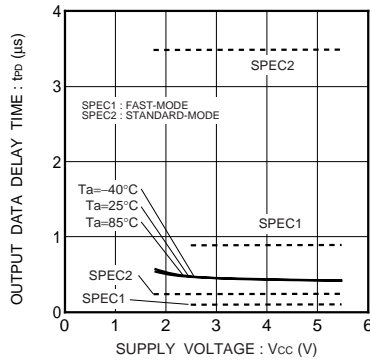


Fig.44 Output data delay time t_{PD1}

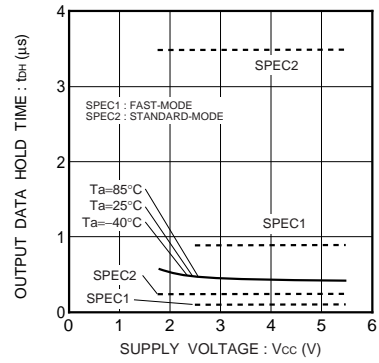


Fig.45 Output data hold time t_{DH0}

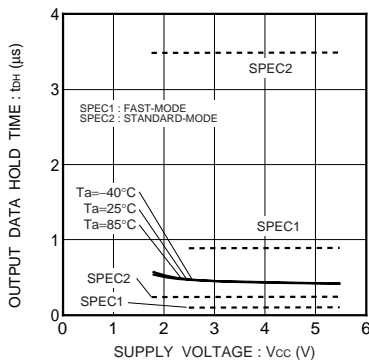


Fig.46 Output data hold time t_{DH1}

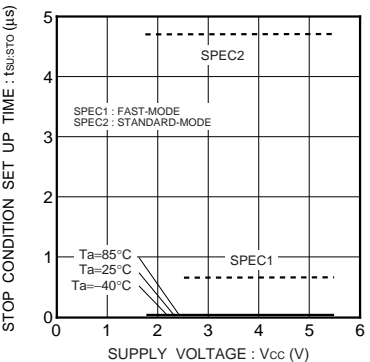


Fig.47 Stop condition setup time $t_{SU:STO}$

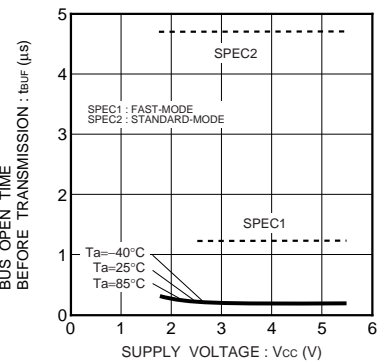


Fig.48 BUS free time t_{BUF}

Memory ICs

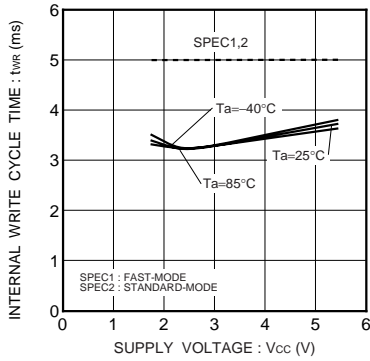


Fig.49 Write cycle time t_{WR}

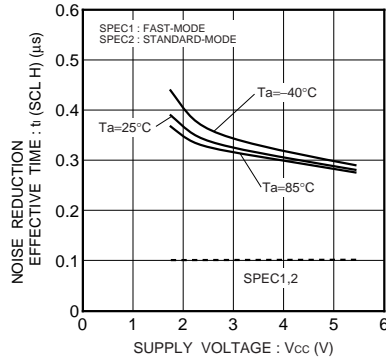


Fig.50 Noise spike width t_i (SCL H)

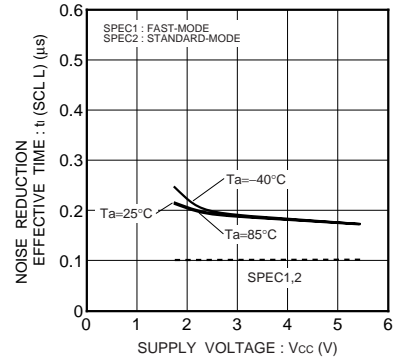


Fig.51 Noise spike width t_i (SCL L)

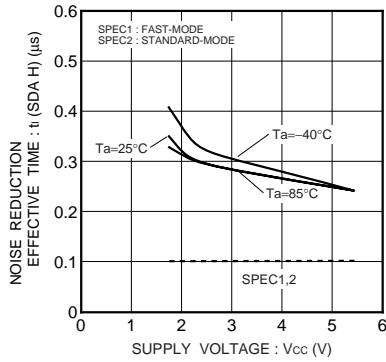


Fig.52 Noise spike width t_i (SDA H)

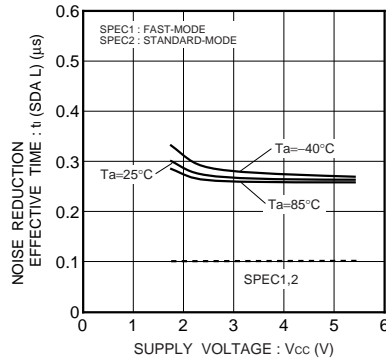


Fig.53 Noise spike width t_i (SDA L)

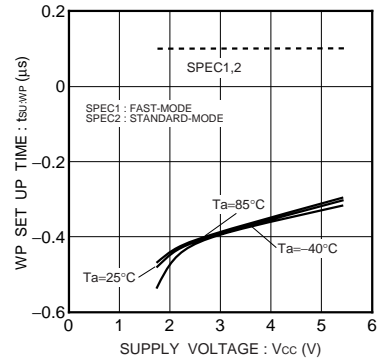


Fig.54 WP setup time $t_{su:WP}$

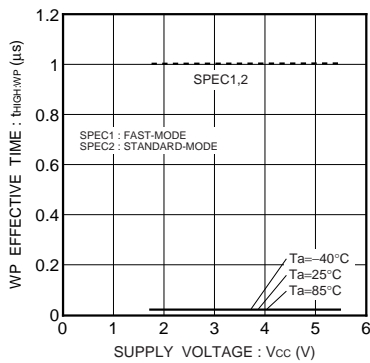


Fig.55 WP high period $t_{HIGH:WP}$

Notes

- No technical content pages of this document may be reproduced in any form or transmitted by any means without prior permission of ROHM CO.,LTD.
- The contents described herein are subject to change without notice. The specifications for the product described in this document are for reference only. Upon actual use, therefore, please request that specifications to be separately delivered.
- Application circuit diagrams and circuit constants contained herein are shown as examples of standard use and operation. Please pay careful attention to the peripheral conditions when designing circuits and deciding upon circuit constants in the set.
- Any data, including, but not limited to application circuit diagrams information, described herein are intended only as illustrations of such devices and not as the specifications for such devices. ROHM CO.,LTD. disclaims any warranty that any use of such devices shall be free from infringement of any third party's intellectual property rights or other proprietary rights, and further, assumes no liability of whatsoever nature in the event of any such infringement, or arising from or connected with or related to the use of such devices.
- Upon the sale of any such devices, other than for buyer's right to use such devices itself, resell or otherwise dispose of the same, no express or implied right or license to practice or commercially exploit any intellectual property rights or other proprietary rights owned or controlled by
- ROHM CO., LTD. is granted to any such buyer.
- Products listed in this document are no antiradiation design.

The products listed in this document are designed to be used with ordinary electronic equipment or devices (such as audio visual equipment, office-automation equipment, communications devices, electrical appliances and electronic toys).

Should you intend to use these products with equipment or devices which require an extremely high level of reliability and the malfunction of which would directly endanger human life (such as medical instruments, transportation equipment, aerospace machinery, nuclear-reactor controllers, fuel controllers and other safety devices), please be sure to consult with our sales representative in advance.

About Export Control Order in Japan

Products described herein are the objects of controlled goods in Annex 1 (Item 16) of Export Trade Control Order in Japan.

In case of export from Japan, please confirm if it applies to "objective" criteria or an "informed" (by MITI clause) on the basis of "catch all controls for Non-Proliferation of Weapons of Mass Destruction.