



LIGITEK

LIGITEK ELECTRONICS CO.,LTD.
Property of Ligitek Only

PLCC-4 TOPLED



Lead-Free Parts

LURF9553-4S/TR1

DATA SHEET

DOC. NO : QW0905-LURF9553-4S/TR1

REV : A

DATE : 31 - Mar.- 2008



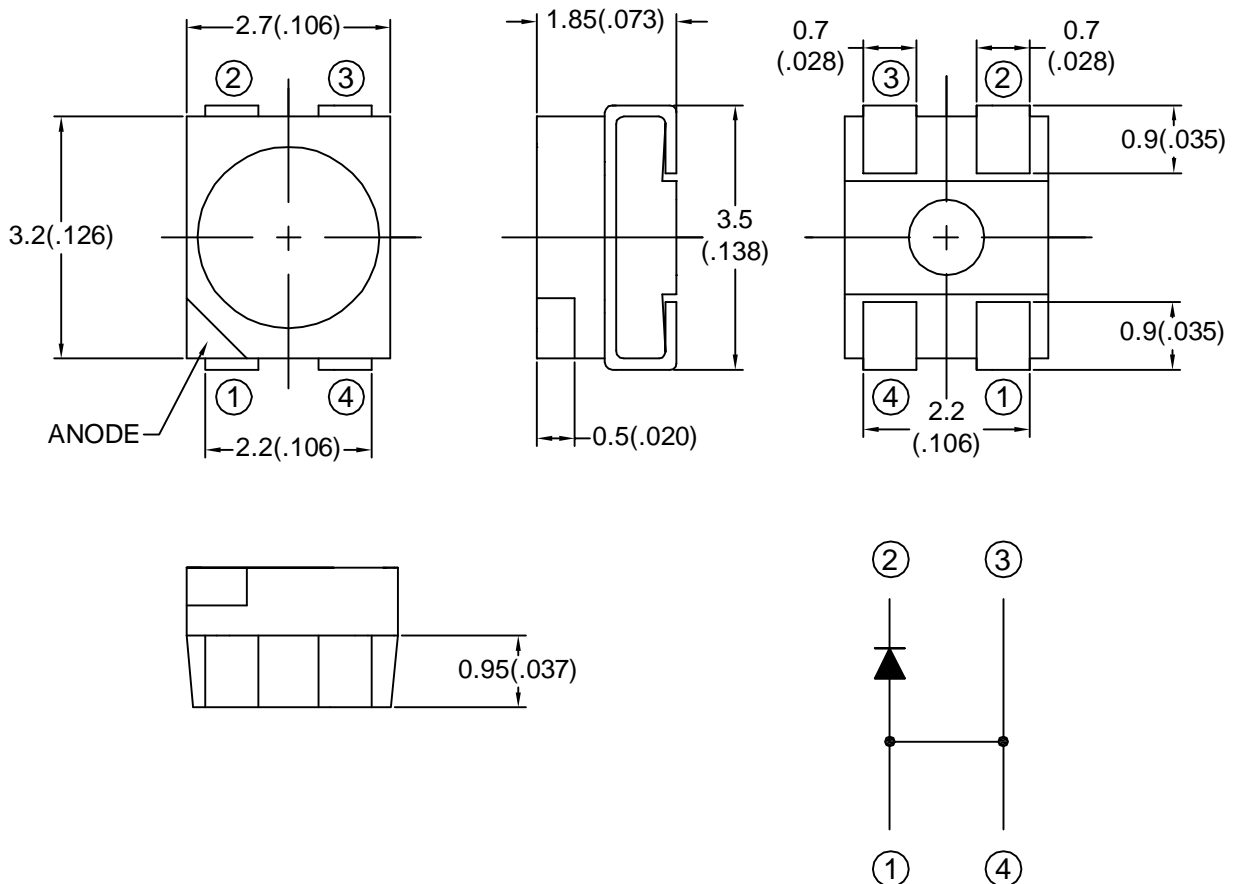
Features

- *package : 12mm tape on 7" diameter reels.
- *feature of the device : more light due to higher optical efficiency,higher ambient temperature at the same current possible compared to TOPLED
- *assembly methods : suitable for all SMT assembly methods
- *ESD-withstand voltage : up to 2kv acc. to JESD22-A114-B

Applications

- *traffic lights
- *backlighting(LCD,switches,keys,displays,illuminated advertising)
- *interior and exterior automotive lighting(e.g.dashboard backlighting,turn signal lamps,sidemarkers, brake lights)
- *substitution of micro incandescent lamps
- *marker lights(e.g.exit ways,etc.)
- *signal and symbol luminaire

Package Dimensions



Note : 1.All dimension are in millimeter tolerance is $\pm 0.2\text{mm}$ unless otherwise noted.
 2.Specifications are subject to change without notice.

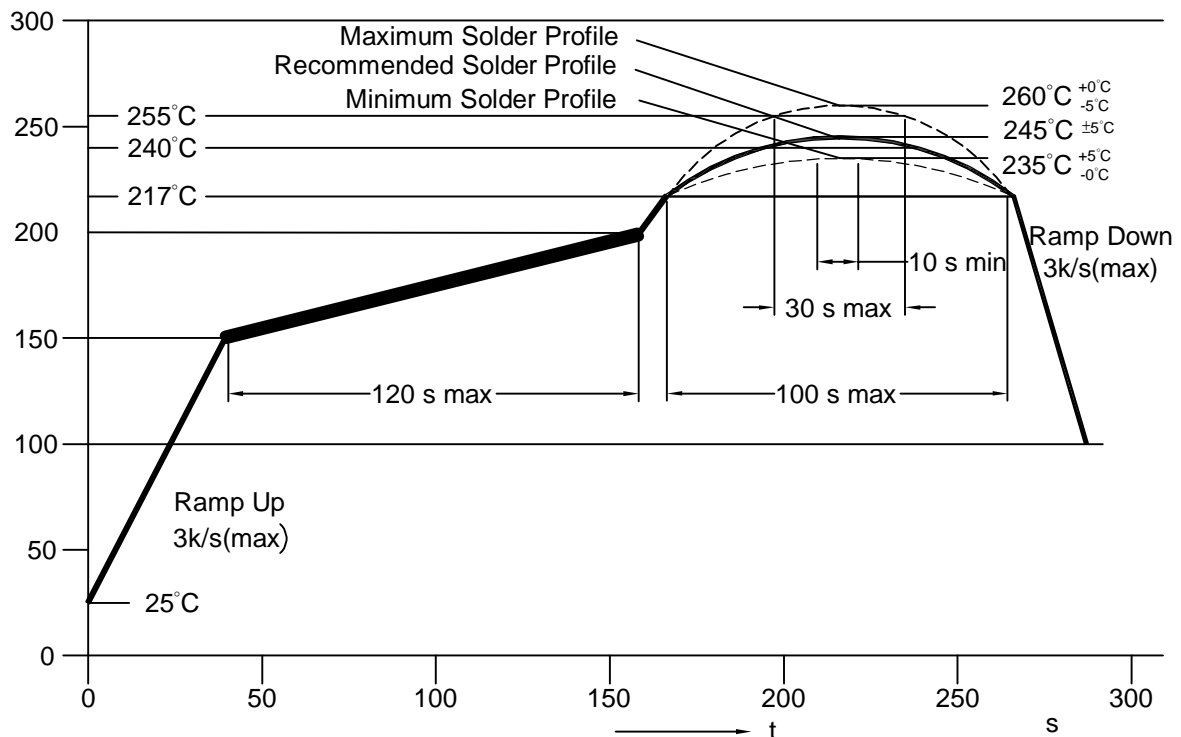


Absolute Maximum Ratings at Ta=25 °C

| Parameter | Symbol | Ratings | UNIT |
|-----------------------------------------|--------|------------|------|
| | | URF(S) | |
| Forward Current | IF | 50 | mA |
| Peak Forward Current Duty 1/10@10KHz | IFP | 90 | mA |
| Power Dissipation | PD | 120 | mW |
| Reverse Current @5V | Ir | 10 | μA |
| Electrostatic Discharge(*) | ESD | 2000 | V |
| Operating Temperature | Topr | -40 ~ +85 | °C |
| Storage Temperature | Tstg | -40 ~ +100 | °C |

★ Static Electricity or power surge will damage the LED. Use of a conductive wrist band or anti-electrosatic glove is recommended when handing these LED. All devices, equipment and machinery must be properly grounded.

IR-Reflow Profile for lead free soldering(Acc.to J-STD-020B)



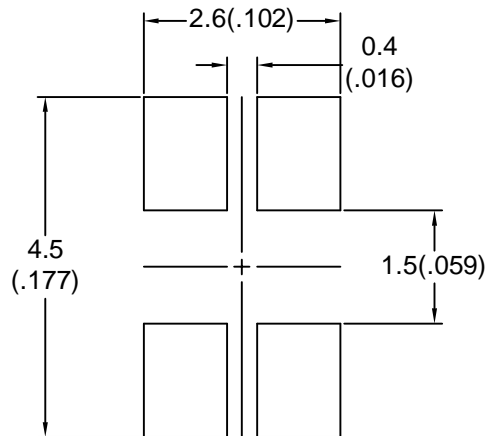


Typical Electrical & Optical Characteristics (Ta=25 °C)

| PART NO | MATERIAL | COLOR | | Dominant wave length λ Dnm | Spectral halfwidth $\Delta \lambda$ nm | Forward voltage @50mA(V) | | Luminous intensity @50mA(mcd) | | Viewing angle 2θ 1/2 (deg) |
|-----------------|----------|---------|-------------|---------------------------------------|-------------------------------------------|-----------------------------|------|----------------------------------|------|------------------------------------------|
| | | Emitted | Lens | | | Min. | Max. | Min. | Typ. | |
| LURF9553-4S/TR1 | AlGaInP | Red | Water Clear | 625 | 20 | 1.5 | 2.6 | 500 | 1250 | 120 |

Note : 1.The forward voltage data did not including $\pm 0.1V$ testing tolerance.
 2. The luminous intensity data did not including $\pm 15\%$ testing tolerance.

Recommended Solder Pad useable for PLCC-4 TOPLED





Typical Electro-Optical Characteristics Curve

URFS CHIP

Fig.1 Forward current vs. Forward Voltage

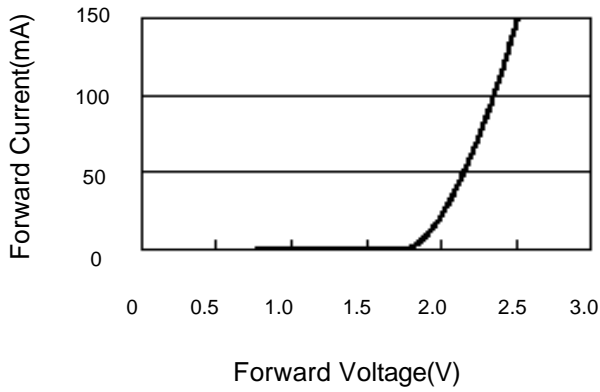


Fig.2 Luminous Intensity vs. Forward Current

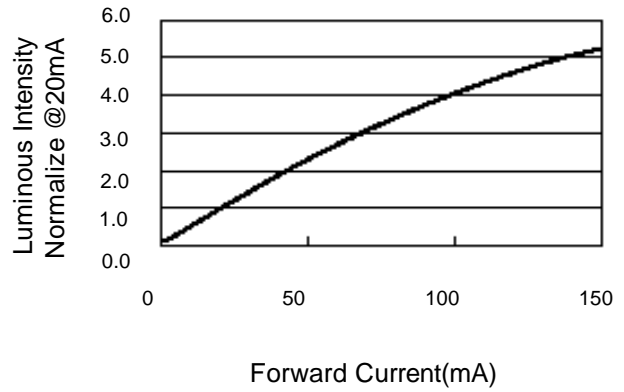


Fig.3 Forward Voltage vs. Temperature

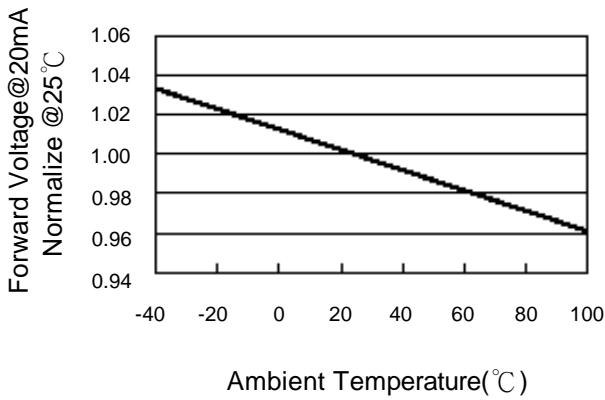


Fig.4 Luminous Intensity vs. Temperature

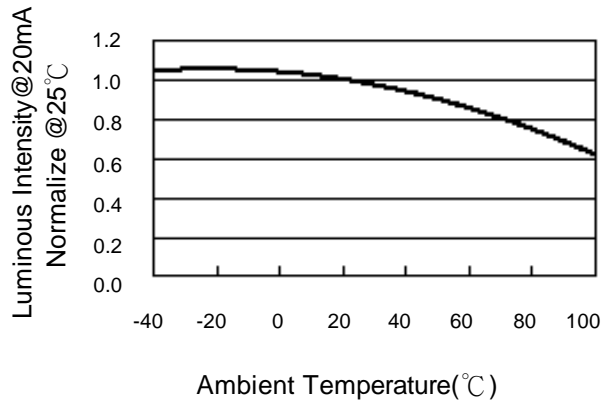


Fig.5 Relative Intensity vs. Wavelength

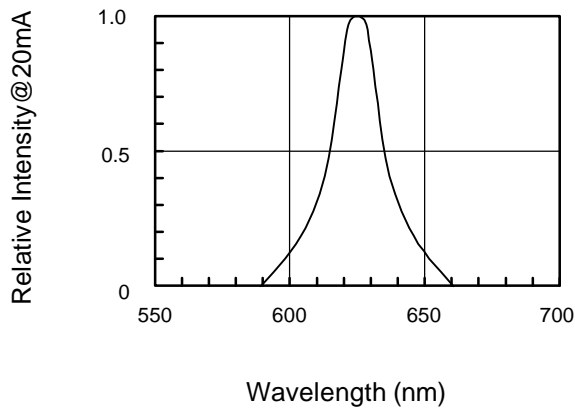
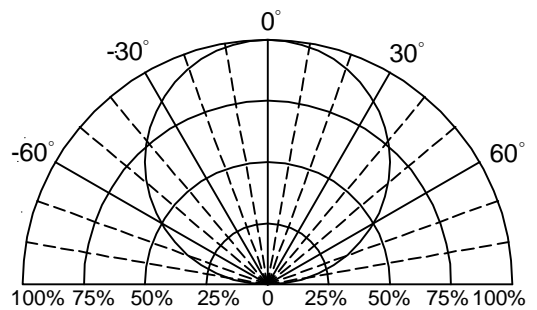


Fig.6 Directivity Radiation





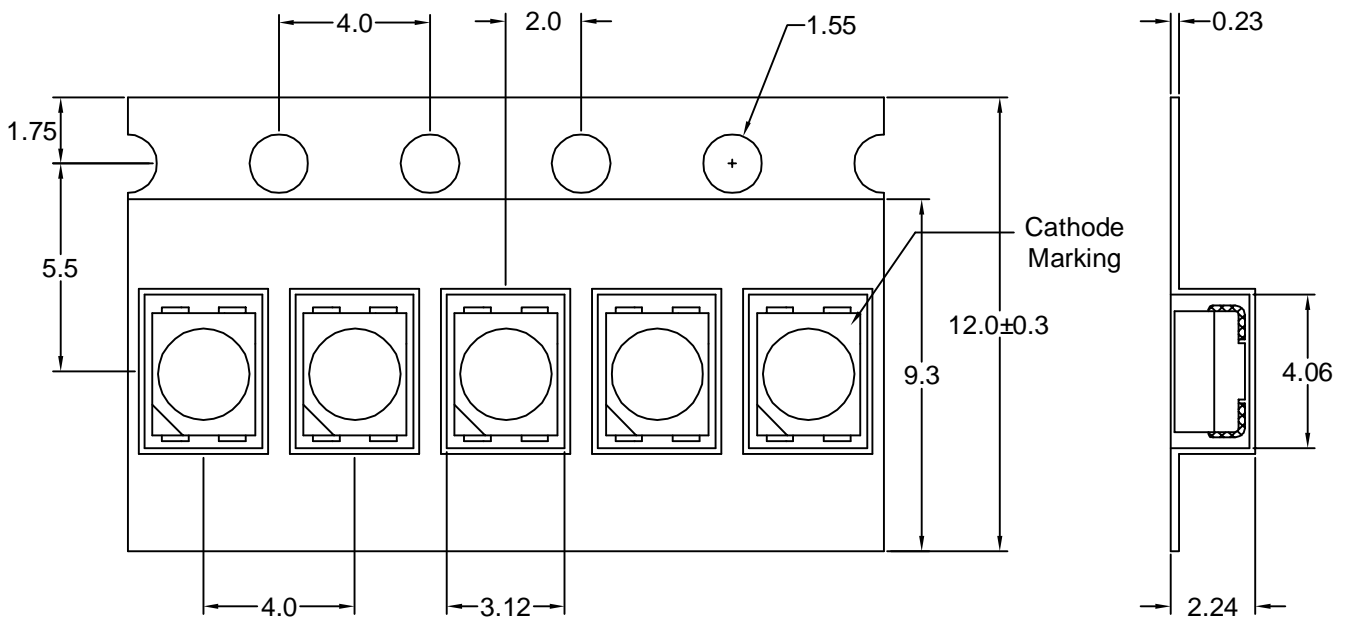
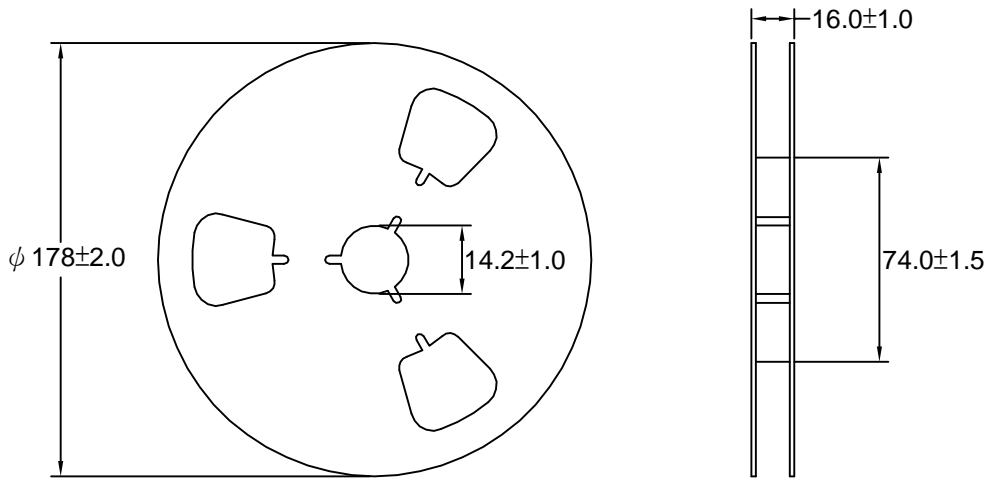
LIGITEK

LIGITEK ELECTRONICS CO.,LTD.
Property of Ligitek Only

PART NO. LURF9553-4S/TR1

Page 5/7

Reel Dimensions



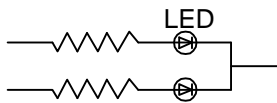
| Part No. | Description | Quantity/Reel |
|-----------------|--------------------|---------------|
| LURF9553-4S/TR1 | 12.0mm tape,7"reel | 1500 devices |



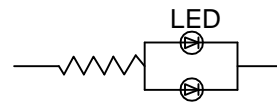
Drive Method

An LED is a current-operated device. In order to ensure intensity uniformity on multiple LEDs connected in parallel in an application, it is recommended that a current limiting resistor be incorporated in the drive circuit, in series with each LED as shown in Circuit A below

Circuit model A



Circuit model B



(A) Recommended circuit.

(B) The difference of brightness between LED could be found due to the VF-IF characteristics of LED.

Cleaning:

Use alcohol-based cleaning solvents such as isopropyl alcohol to clean the LED if necessary

ESD(Electrostatic Discharge):

Static Electricity or power surge will damage the LED. Use of a conductive wrist band or anti-electrosatic glove is recommended when handing these LED. All devices, equipment and machinery must be properly grounded.



Reliability Test:

| Classification | Test Item | Test Condition | Reference Standard |
|--------------------|---------------------------------------------|---------------------------------------------------------------------------------------------------------------------------------------------------------------------------------------------------------------------------------------------------------------------------------------|-------------------------------------------------------------------------------------------------------|
| Endurance Test | Operating Life Test | 1.Ta=Under Room Temperature As Per Data Sheet Maximum Rating. 2.If=50mA 3.t=1000 hrs (-24hrs, +72hrs) | MIL-STD-750D: 1026 MIL-STD-883D: 1005 JIS C 7021: B-1 |
| | High Temperature Storage Test | 1.Ta=100°C±5°C 2.t=1000 hrs (-24hrs, +72hrs) | MIL-STD-883D:1008 JIS C 7021: B-10 |
| | Low Temperature Storage Test | 1.Ta=-40°C±5°C 2.t=1000 hrs (-24hrs, +72hrs) | JIS C 7021: B-12 |
| | High Temperature High Humidity Storage Test | 1.Ta=65°C±5°C 2.RH=90%~95% 3.t=240hrs±2hrs | MIL-STD-202F:103B JIS C 7021: B-11 |
| Environmental Test | Thermal Shock Test | 1.Ta=105°C±5°C & -40°C±5°C (30min) (30min) 2.total 100 cycles | MIL-STD-202F: 107D MIL-STD-750D: 1051 MIL-STD-883D: 1011 |
| | Solderability Test | 1.T.Sol=235°C±5°C 2.Immersion time 2 ±0.5sec 3.Coverage ≥95% of the dipped surface | MIL-STD-202F: 208D MIL-STD-750D: 2026 MIL-STD-883D: 2003 IEC 68 Part 2-20 JIS C 7021: A-2 |
| | Temperature Cycling | 1.105°C ~ 25°C ~ -55°C ~ 25°C 30mins 5mins 30mins 5mins 2.10 Cyeles | MIL-STD-202F: 107D MIL-STD-750D: 1051 MIL-STD-883D: 1010 JIS C 7021: A-4 |
| | IR Reflow | Ramp-up rate(217°C to Peak) +3°C second max Temp. maintain at 175(±25)°C 180 seconds max Temp. maintain above 217°C 60-150 seconds Peak temperature range 260°C+5/-0°C Time within 5°C of actual Peak Temperature(tp) 10-30 seconds Ramp-down rate +6 °C/second max | MIL-STD-750D:2031.2 J-STD-020B |