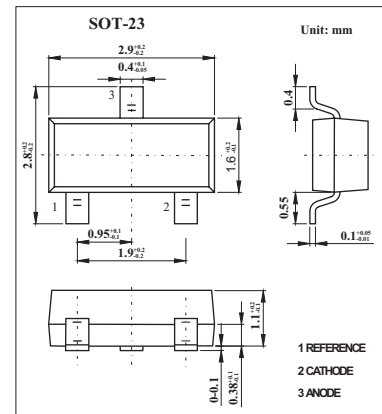


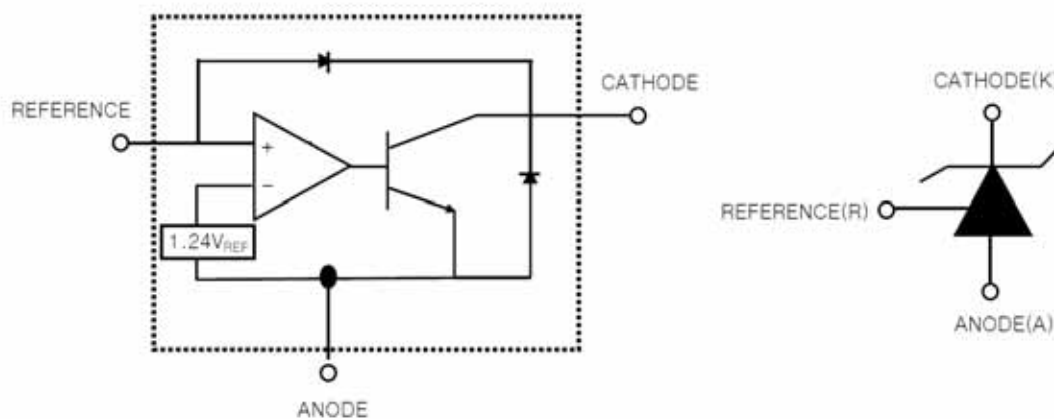
Low Voltage Adjustable Precision Shunt Regulator TL432

■ Features

- Low Voltage Operation : 1.24 V
- Programmable Out Voltage to 15V
- Sink Current Capability of 1 mA to 100 mA
- Equivalent Full-Range Temperature Coefficient of 50ppm/°C
- Temperature Compensated for Operation over Full Rated Operating Temperature Range
- Trimmed Bandgap to 5%
- Reference Input Voltage: $1.24 \pm 0.5\%$



■ Function Block Diagram



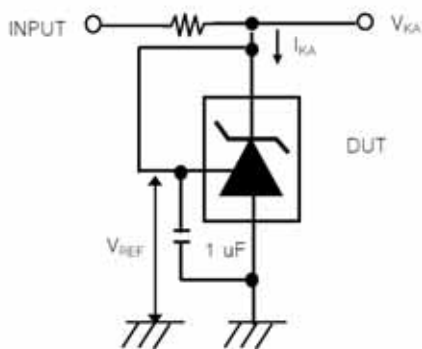
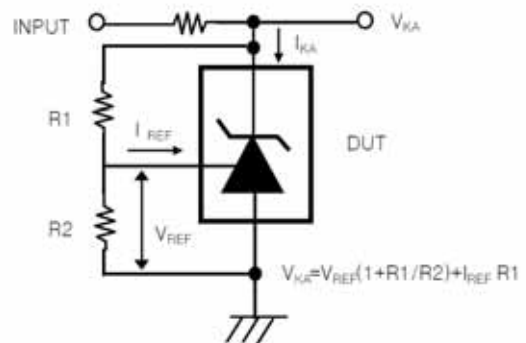
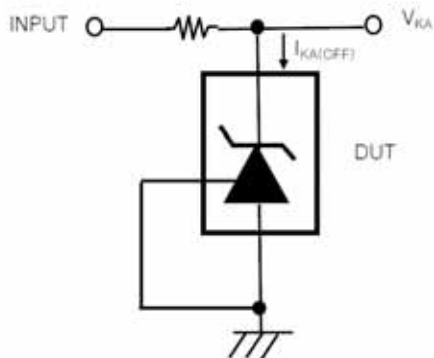
■ Absolute Maximum Ratings $T_a = 25^\circ\text{C}$

Parameter	Symbol	Rating	Unit
Cathode Voltage	V_{KA}	15	V
Continuous Cathode Current Range	I_{KA}	100	mA
Reference Input Current Range	I_{REF}	-0.05 to 3	mA
Total Power Dissipation	P_D	370	mW
Junction Temperature	T_J	-40 to 150	°C
Operating Temperature	T_{OPR}	0 to 70	°C
Storage Temperature	T_{STG}	-65 to 150	°C

TL432

■ Electrical Characteristics Ta = 25°C

Parameter	Symbol	Testconditons	Min	Typ	Max	Unit
Reference Input Voltage	Vref	VKA=VREF, IKA=10mA	1.233	1.24	1.247	V
Deviation of reference Input Voltage Over Full Temperature Range	$\Delta V_{ref}/\Delta T$	VKA=VREF, IKA=10mA		10	25	mV
		TA=Full Range				
Ratio Of Change in Reference Input Voltage to the change in Cathode Voltage	$\Delta V_{ref}/\Delta V_{KA}$	VKA=1.25V to 14.5V		1.0	2.7	mV/V
Reference input Current	Iref	R1=10K Ω R2= ∞		0.5	1	μ A
Deviation Of Reference Input Current Over Full Temperature Range	$\Delta I_{ref}/\Delta T$	R1=10K Ω R2= ∞ TA=fullTemperature		0.05	0.3	μ A
Minimum cathode current for regulation	IKA(min)	VKA= VREF		60	80	μ A
Off-state cathode Current	IKA(OFF)	VKA=15V, VREF=0		0.04	0.5	μ A
Dynamic impedance	ZKA	VKA=VREF, IKA=0.1 to 20mA f \leq 1.0KHz		0.2	0.4	Ω

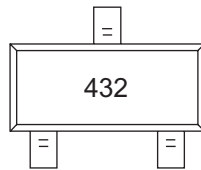
Fig. 1 Test Circuit for V_{KA}=V_{REF}Fig. 2 Test Circuit for V_{KA} ≥ V_{REF}Fig. 3 Test Circuit for I_{KA} (off)

TL432

■ Ordering Information

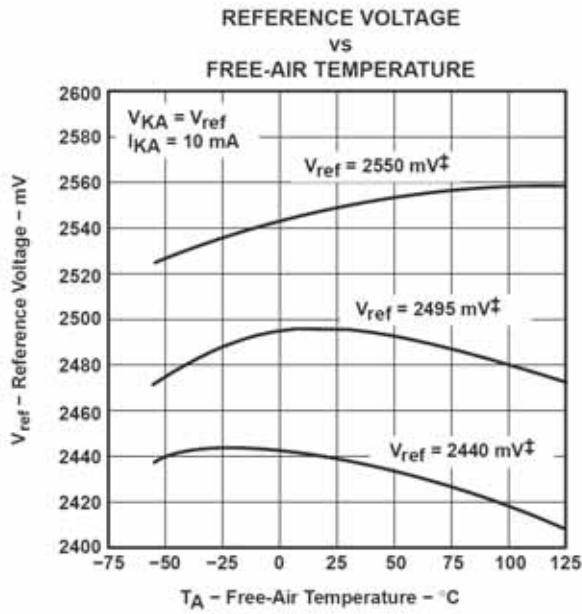
Deivece	Packaging	Shipping
TL432	SOT23	3000/Tape & Reel

■ Marking Information

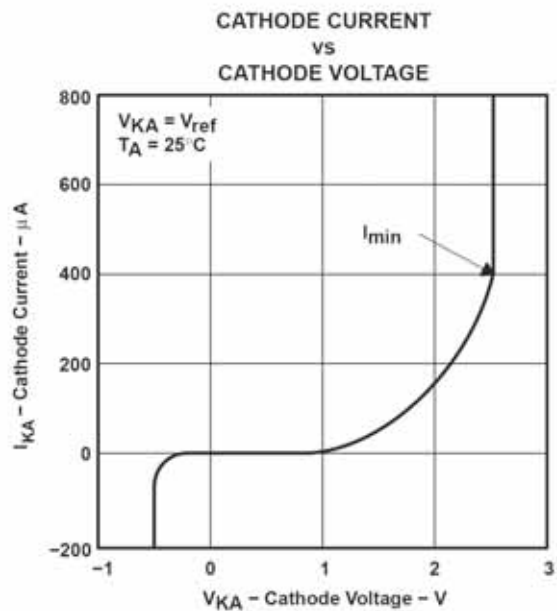
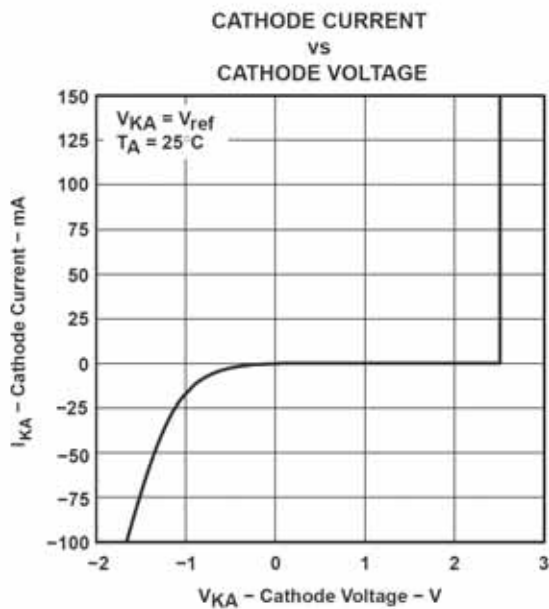
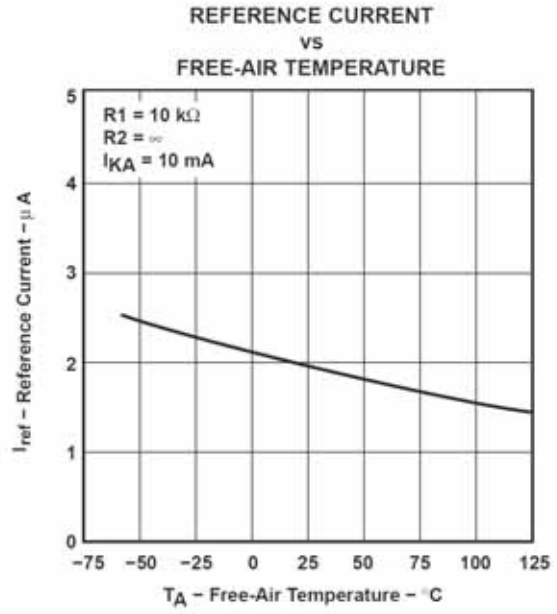


TL432

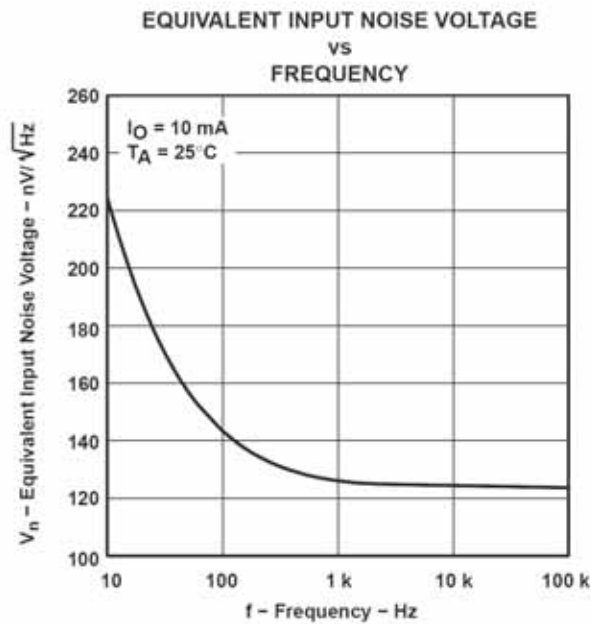
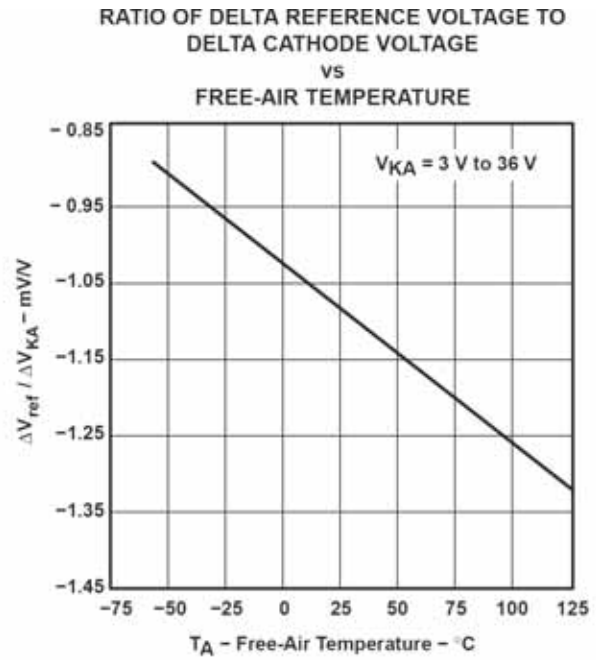
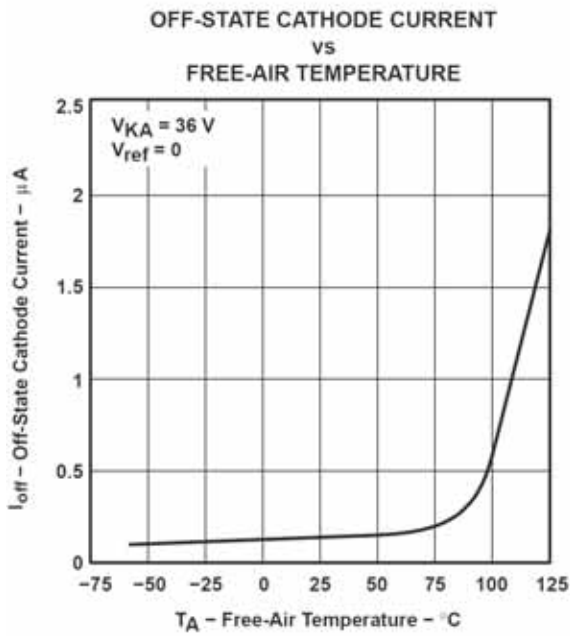
■ TypIacl Characteristics



† Data is for devices having the indicated value of V_{ref} at $I_{KA} = 10 \text{ mA}$, $T_A = 25^\circ\text{C}$.



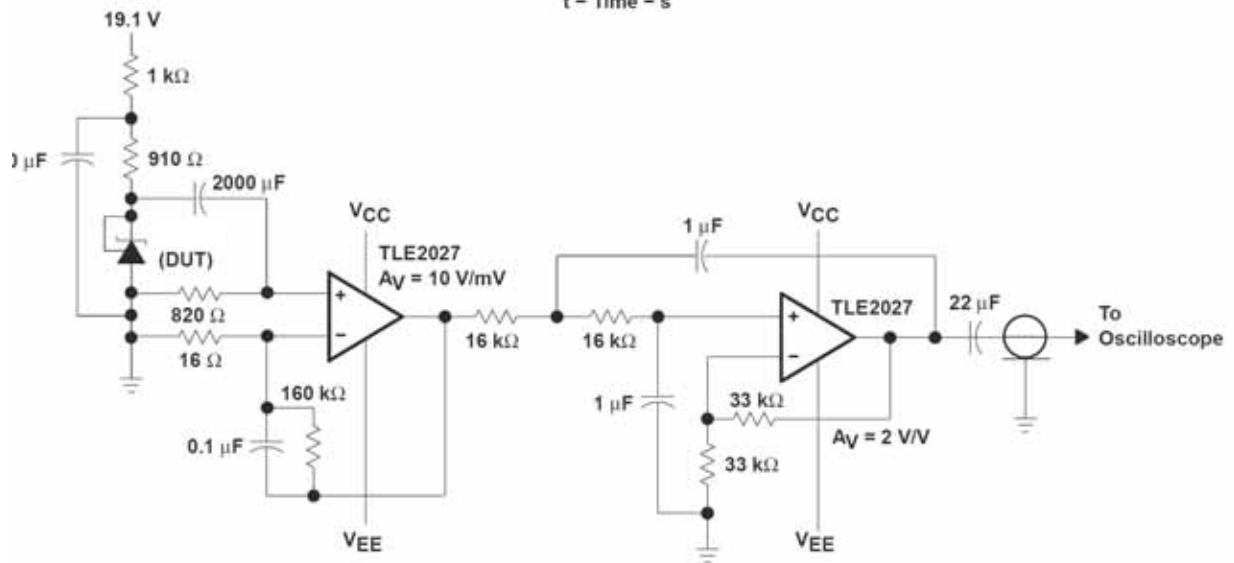
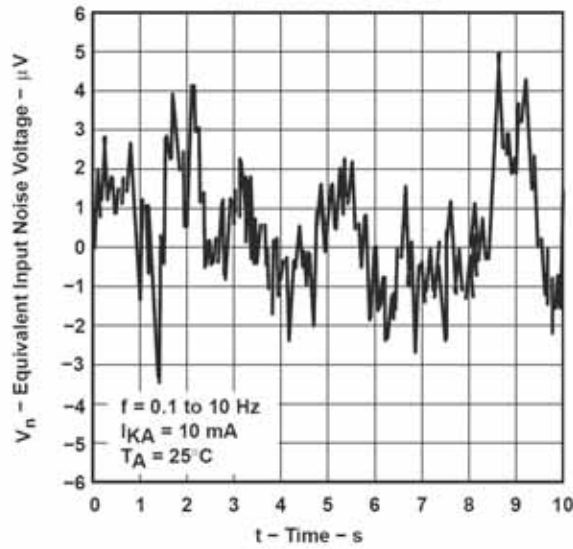
TL432



TL432

TYPICAL CHARACTERISTICS

EQUIVALENT INPUT NOISE VOLTAGE OVER A 10-S PERIOD

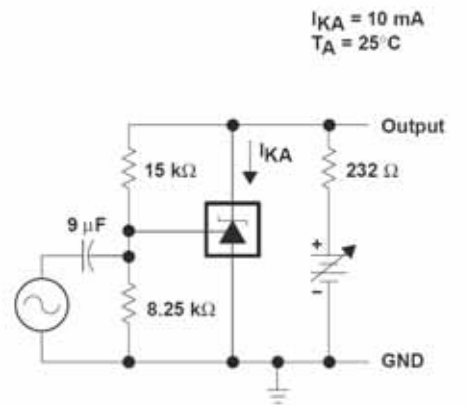
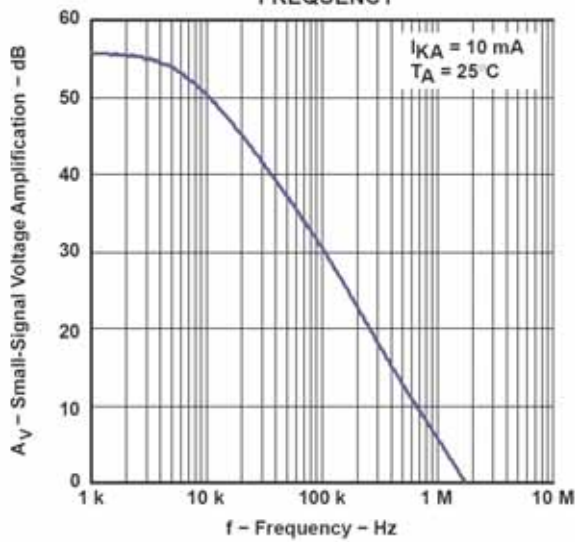


Test Circuit for Equivalent Input Noise Voltage

TL432

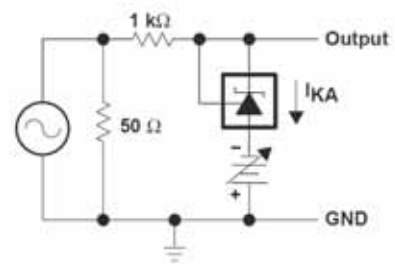
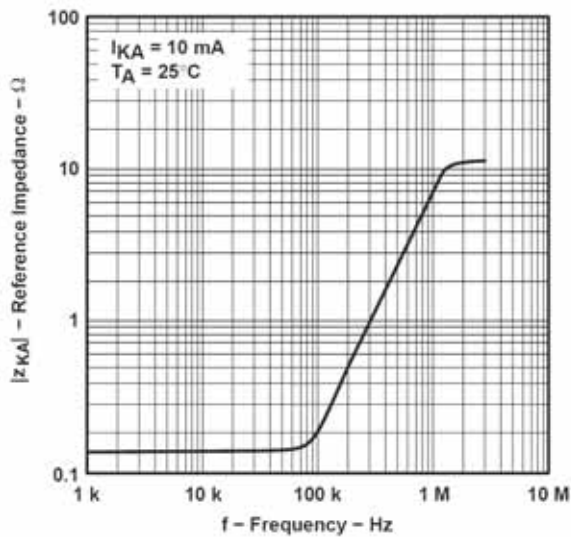
TYPICAL CHARACTERISTICS

SMALL-SIGNAL VOLTAGE AMPLIFICATION
VS
FREQUENCY



TEST CIRCUIT FOR VOLTAGE AMPLIFICATION

REFERENCE IMPEDANCE
VS
FREQUENCY



TEST CIRCUIT FOR REFERENCE IMPEDANCE

TL432

