

Description

GM6605 series of positive adjustable and fixed regulators is designed to provide 5A output with low dropout voltage performance. On-chip trimming adjusts the reference voltage with an accuracy of $\pm 1\%$ for adjustable, and $\pm 2\%$ for fixed voltage versions. To work in post regulators or micro-processor power supplies, which where low voltage operation and fast transient response are required. Device includes over-current protection and thermal shutdown protection as well.

GM6605 is available in TO-220 and surface-mount TO-263 packages.

Features

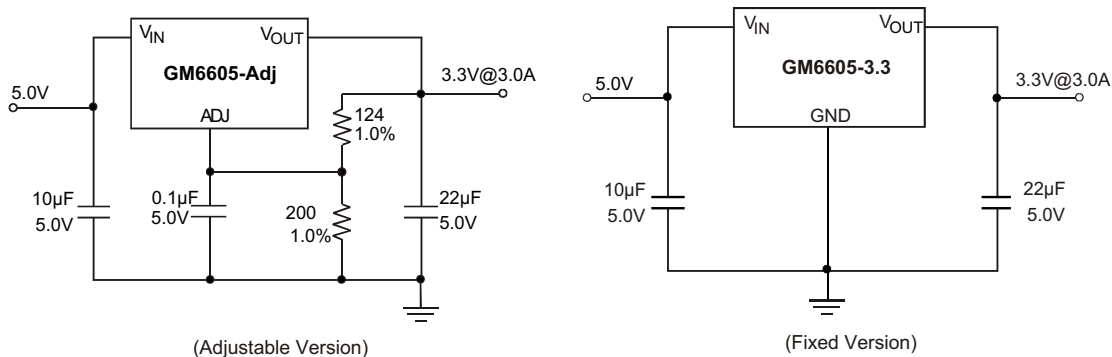
- ◆ Adjustable or Fixed Output
- ◆ Output Current of 5.0A
- ◆ Dropout Voltage (typical) 1.15V @ 5.0A
- ◆ Typical Line Regulation 0.04%
- ◆ Typical Load Regulation 0.08%
- ◆ Fast Transient Response
- ◆ Current Limit Protection
- ◆ Thermal Shutdown Protection

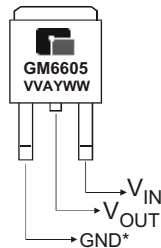
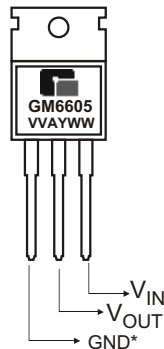
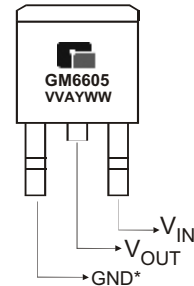
Application

Microprocessor Supply
 Post Regulators for Switching Supplies
 Telecommunication Systems

Medical Equipment
 Printer Supplies
 Motherboards

TYPICAL APPLICATION CIRCUITS



◆ MARKING INFORMATION & PIN CONFIGURATIONS (Top View)
TO-252 (DPAK)

TO-220

TO-263-2 (D²PAK)


V V = Output Voltage (50 = 5.0V, A =Adj)
 A = Assembly Location
 Y = Year
 W W = Weekly

* On fixed versions Pin 1 = GND,
 on adjustable versions Pin 1 = ADJ
 * Tab = V_{OUT}

◆ ORDERING INFORMATION

Ordering Number	Output Voltage	Package	Shipping
GM6605-ATA3T	Adj	TO-263-2	50 Units / Tube
GM6605-ATA3R	Adj	TO-263-2	800 Units / Tape & Reel
GM6605-ATB3T	Adj	TO-220	50 Units / Tube
GM6605-1.8TA3T	1.8	TO-263-2	50 Units / Tube
GM6605-1.8TA3R	1.8	TO-263-2	800 Units / Tape & Reel
GM6605-1.8TB3T	1.8	TO-220	50 Units / Tube
GM6605-2.5TA3T	2.5	TO-263-2	50 Units / Tube
GM6605-2.5TA3R	2.5	TO-263-2	800 Units / Tape & Reel
GM6605-2.5TB3T	2.5	TO-220	50 Units / Tube
GM6605-3.3TA3T	3.3	TO-263-2	50 Units / Tube
GM6605-3.3TA3R	3.3	TO-263-2	800 Units / Tape & Reel
GM6605-3.3TB3T	3.3	TO-220	50 Units / Tube
GM6605-3.3TC3T	3.3	TO-252	80 Units / Tube
GM6605-3.3TC3R	3.3	TO-252	2,500 Units / Tape & Reel
GM6605-5.0TA3T	5.0	TO-263-2	50 Units / Tube
GM6605-5.0TA3R	5.0	TO-263-2	800 Units / Tape & Reel
GM6605-5.0TB3T	5.0	TO-220	50 Units / Tube

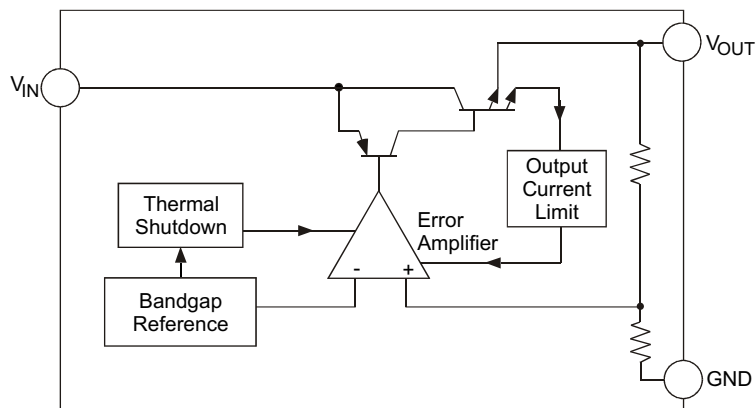
* For detail Ordering Number identification, please see last page.

◆ ABSOLUTE MAXIMUM RATINGS

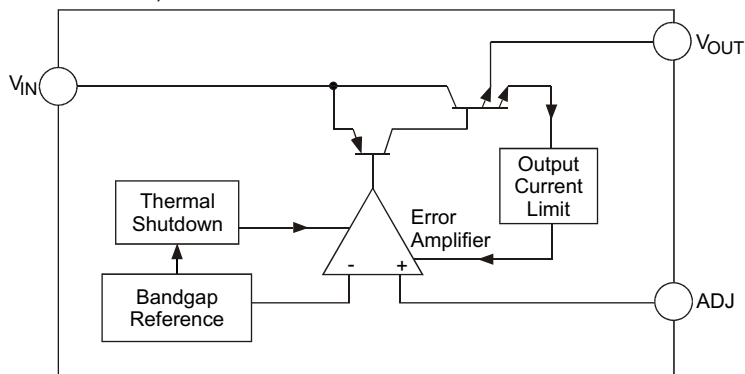
PARAMETER	SYMBOL	VALUE	UNIT
Power Dissipation	P_D	Internally limited	W
Input Voltage	V_{IN}	15	V
Junction Temperature	T_J	+150	°C
Lead Temperature(Soldering, 10sec)	T_{LEAD}	300	°C
Operating Junction Temperature Range	T_J	0 to + 125	°C
Storage Temperature Range	T_{STG}	-65 to + 150	°C

◆ BLOCK DIAGRAM

(Fixed Version)



(Adjustable Version)



◆ ELECTRICAL CHARACTERISTICS

(Typicals and limits appearing in normal type apply for $T_J = 25^\circ\text{C}$)

Parameter		Symbol	Condition	Min	Typ	Max	Unit
Reference Voltage	GM6605-Adj	V_{REF}	$I_{OUT}=10\text{mA}$, $V_{IN}-V_{OUT}=1.5\text{V}$ $10\text{mA} \leq I_{OUT} \leq 5\text{A}$, $3.3\text{V} \leq V_{IN} \leq 7\text{V}$	1.238 1.230	1.250 1.250	1.262 1.270	V
Output Voltage	GM6605-1.8	V_O	$I_{OUT}=10\text{mA}$, $V_{IN}=3.3\text{V}$ $10\text{mA} \leq I_{OUT} \leq 5\text{A}$, $3.3\text{V} \leq V_{IN} \leq 7\text{V}$	1.782 1.764	1.800 1.800	1.818 1.836	V
	GM6605-2.5		$I_{OUT}=10\text{mA}$, $V_{IN}=4\text{V}$ $10\text{mA} \leq I_{OUT} \leq 5\text{A}$, $4\text{V} \leq V_{IN} \leq 7\text{V}$	2.475 2.460	2.500 2.500	2.525 2.540	V
	GM6605-3.3		$I_{OUT}=10\text{mA}$, $V_{IN}=4.8\text{V}$ $10\text{mA} \leq I_{OUT} \leq 5\text{A}$, $4.8\text{V} \leq V_{IN} \leq 7\text{V}$	3.267 3.247	3.300 3.300	3.333 3.353	V
	GM6605-5.0		$I_{OUT}=10\text{mA}$, $V_{IN}=6.5\text{V}$ $10\text{mA} \leq I_{OUT} \leq 5\text{A}$, $6.5\text{V} \leq V_{IN} \leq 7\text{V}$	4.950 4.920	5.000 5.000	5.050 5.080	V
	Line Regulation		GM6605-Adj	REG_{LINE}	$I_{OUT}=10\text{mA}$,		0.04
GM6605-1.8		$I_{OUT}=10\text{mA}$, $3.3\text{V} \leq V_{IN} \leq 7\text{V}$			0.04	0.20	
GM6605-2.5		$I_{OUT}=10\text{mA}$, $4\text{V} \leq V_{IN} \leq 7\text{V}$			0.04	0.20	
GM6605-3.3		$I_{OUT}=10\text{mA}$, $4.8\text{V} \leq V_{IN} \leq 7\text{V}$			0.04	0.20	
GM6605-5.0		$I_{OUT}=10\text{mA}$, $6.5\text{V} \leq V_{IN} \leq 7\text{V}$			0.04	0.20	
Load Regulation	GM6605-Adj	REG_{LOAD}	$V_{IN}-V_{OUT}=1.5\text{V}$, $10\text{mA} \leq I_O \leq 5\text{A}$		0.08	0.40	%
	GM6605-1.8		$V_{IN}=3.8\text{V}$, $10\text{mA} \leq I_O \leq 5\text{A}$		0.08	0.40	
	GM6605-2.5		$V_{IN}=4.5\text{V}$, $10\text{mA} \leq I_O \leq 5\text{A}$		0.08	0.40	
	GM6605-3.3		$V_{IN}=5.3\text{V}$, $10\text{mA} \leq I_O \leq 5\text{A}$		0.08	0.40	
	GM6605-5.0		$V_{IN}=7\text{V}$, $10\text{mA} \leq I_O \leq 5\text{A}$		0.08	0.40	
Dropout Voltage		V_D	$I_{OUT}=5\text{A}$		1.15	1.3	V
Current Limit		I_{CL}	$V_{IN}-V_{OUT}=3\text{V}$	5.5	6.8		A
Minimum Load Current	GM6605-Adj	$I_{O\ MIN}$	$V_{IN}=5\text{V}$		5	10	mA
Quiescent Current	GM6605-1.8	I_Q	$V_{IN}=3.3\text{V}$, $10\text{mA} \leq I_O \leq 5\text{A}$		5	10	mA
	GM6605-2.5		$V_{IN}=4.0\text{V}$, $10\text{mA} \leq I_O \leq 5\text{A}$		5	10	
	GM6605-3.3		$V_{IN}=4.8\text{V}$, $10\text{mA} \leq I_O \leq 5\text{A}$		5	10	
	GM6605-5.0		$V_{IN}=6.5\text{V}$, $10\text{mA} \leq I_O \leq 5\text{A}$		5	10	
Adjust Pin Current	GM6605-Adj	I_{ADJ}	$I_{OUT}=10\text{mA}$, $2.75\text{V} \leq V_{IN} \leq 7\text{V}$		50	120	μA
Temperature Coefficient			$V_{IN}-V_{OUT}=1.5\text{V}$, $I_{OUT}=10\text{mA}$		0.005		$\%/^\circ\text{C}$
Ripple Rejection		R_A	$V_{IN}-V_{OUT}=1.5\text{V}$, $I_{OUT}=5\text{A}$	60	80		dB

◆ APPLICATION INFORMATION

GM6605 series linear regulators provide fixed and adjustable output voltages at currents up to 5.0A. These regulators are protected against over-current conditions and include thermal shutdown protection. The GM6605 has a composite PNP-NPN output transistor and require an output capacitor for stability.

A detailed procedure for selecting this capacitor is as followed.

Stability Considerations

The output compensation capacitor helps to determine three main characteristics of a linear regulator's performance: start-up delay, load transient response, and loop stability. The capacitor value and type is based on cost, availability, size, and temperature constraints. A tantalum or aluminum electrolytic capacitor is preferred, as a film or ceramic capacitor with almost zero ESR can cause instability. An aluminum electrolytic capacitor is the least expensive type. But when the circuit operates at low temperatures, both the value and ESR of the capacitor will vary widely. For optimum performance over the full operating temperature range, a tantalum capacitor is the best. A 22µF tantalum capacitor will work fine in most applications. But with high current regulators, such as GM6605 higher capacitance values will improve the transient response and stability. Most applications for Gm6605 involve large changes in load current, so the output capacitor must supply instantaneous load current. The ESR of the output capacitor causes an immediate drop in output voltage given by:

$$V = I \times \text{ESD}$$

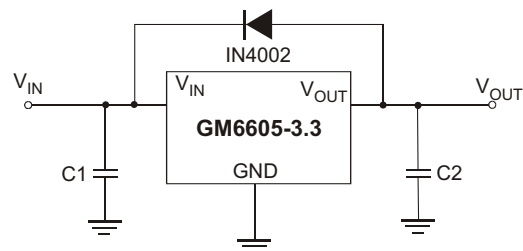
In microprocessor applications an output capacitor network of several tantalum and ceramic capacitors in parallel is commonly used. This reduces overall ESR and minimizes the instantaneous output voltage drop under transient load conditions. The output capacitor network should be placed as close to the load as possible for the best results.

Protection Diodes

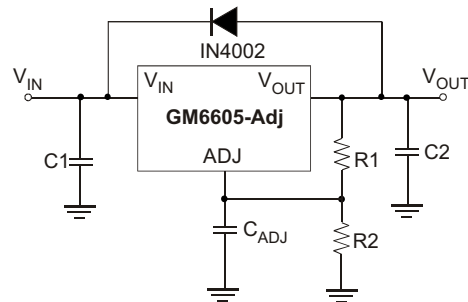
When large external capacitors are used with most linear regulator, it is wise to add protection diodes. If the input voltage of the regulator is shorted, the output capacitor will discharge into the output of the regulator. The discharge current depends on the value of capacitor, output voltage, and rate at which V_{IN} drops.

Figure 1 (a),(b) Protection Diode Scheme for Large Output Capacitors

(a) Fixed Version



(b) Adjustable Version



In GM6605 linear regulators, the discharge path is through a large junction, and protection diodes are normally not needed. However, if the regulator is used with large output capacitance values and the input voltage is instantaneously shorted to ground, damage can occur. In this case, a diode connected as shown above in Figure 1.

Output Voltage Sensing

GM6605 series is three terminal regulator, so they cannot provide true remote load sensing. Load regulation is limited by the resistance of the conductors connecting the regulator to the load. For best results, Gm6605 should be connected as shown in Figure 2.

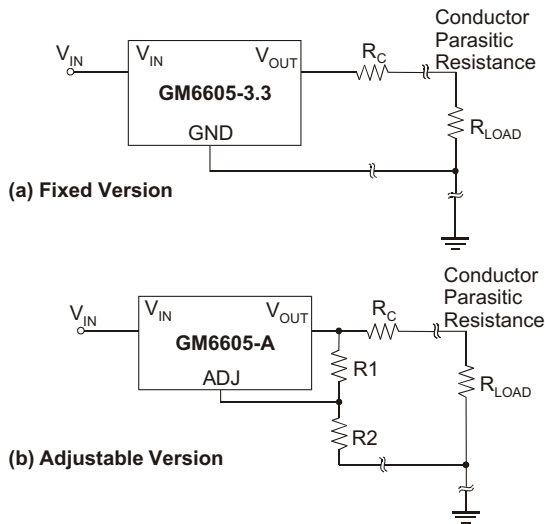


Figure 2 (a),(b) Conductor Parasitic Resistance Effects are Minimized by this Grounding Scheme For Fixed and Adjustable Output Regulators

Calculating Power Dissipation and Heat Sink Requirements

GM6605 series precision linear regulators include thermal shutdown and current limit circuitry to protect the devices. However, high power regulators normally operate at high junction temperatures so it is important to calculate the power dissipation and junction temperatures accurately to be sure that you use an adequate heat sink. The case is connected to V_{OUT} on GM6605. so electrical isolation may be required for some applications. Thermal compound should always be used with high current regulators like GM6605.

The thermal characteristics of an IC depend on four factors:

1. Maximum Ambient Temperature T_A (°C)
2. Power Dissipation P_D (Watts)
3. Maximum Junction Temperature T_J(°C)
4. Thermal Resistance Junction to ambient R_{JA} (°C/W)

These relationship of these four factors is expressed by equation (1):

$$T_J = T_A + P_D \times R_{JA} \dots\dots(1)$$

Maximum ambient temperature and power dissipation are determined by the design while the maximum junction temperature and thermal resistance depend on the manufacturer and the package type.

The maximum power dissipation for a regulator is expressed by equation (2):

$$P_{D(max)} = \{ V_{IN(max)} - V_{OUT(min)} \} I_{OUT(max)} + V_{IN(max)} I_Q \dots\dots(2)$$

where:

- V_{IN(max)} is the maximum input voltage,
- V_{OUT(min)} is the minimum output voltage,
- I_{OUT(max)} is the maximum output current
- I_Q is the maximum quiescent current at I_{OUT(max)}.

A heat sink effectively increases the surface area of the package to improve the flow of heat away from the IC into the air. Each material in the heat flow path between the IC and the environment has a thermal resistance. Like series electrical resistances, these resistance are summed to determine R_{JA}, the total thermal resistance between the junction and the air. This is expressed by equation (3):

$$R_{JA} = R_{JC} + R_{CS} + R_{SA} \dots\dots(3)$$

Where all of the following are in °C/W:

- R_{JC} is thermal resistance of junction to case,
- R_{CS} is thermal resistance of case to heat sink,
- R_{SA} is thermal resistance of heat sink to ambient air

The value for R_{JA} is calculated using equation (3) and the result can be substituted in equation (1). The value for R_{JC} is 3.5°C/W for a given package type based on an average die size. For a high current regulator such as GM6605, the majority of the heat is generated in the power transistor section.

◆ Typical Performance Characteristics

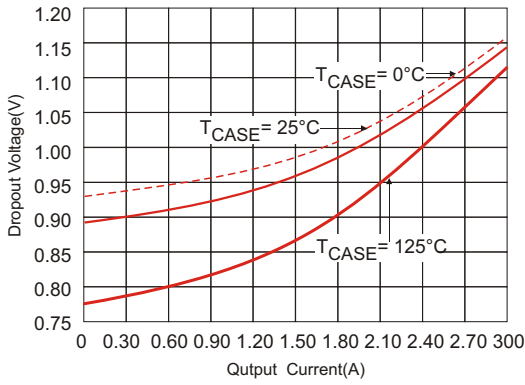


Figure 3. Dropout Voltage vs. Output Current

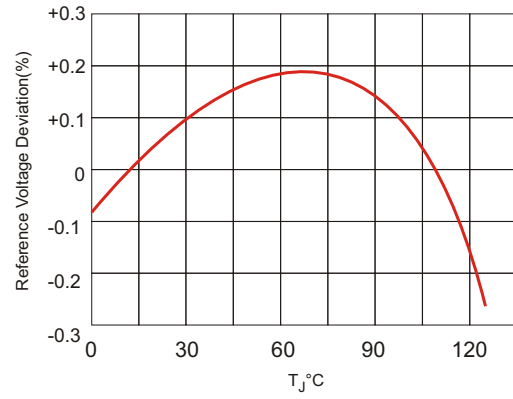


Figure 4. Bandgap Reference Voltage Deviation vs. Temperature

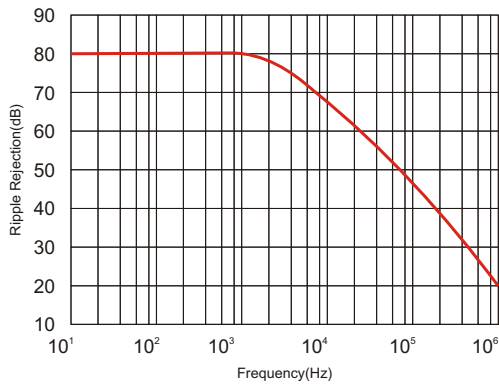


Figure 5. Ripple Rejection vs. Frequency

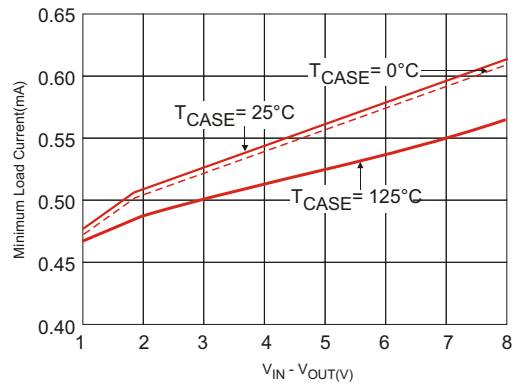
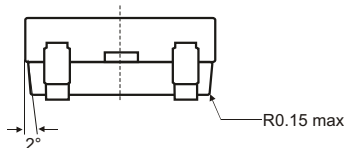
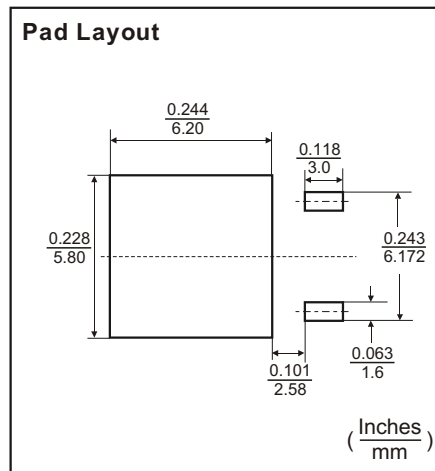
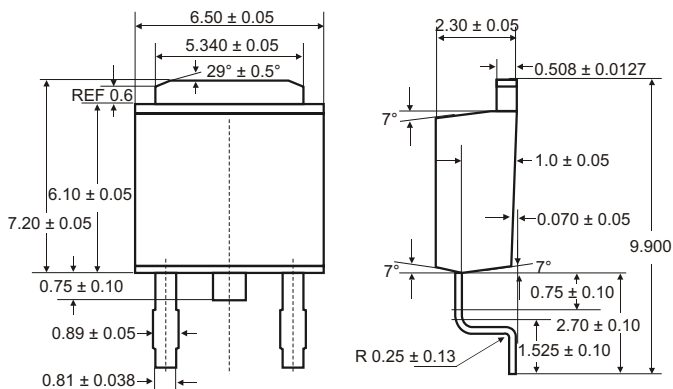


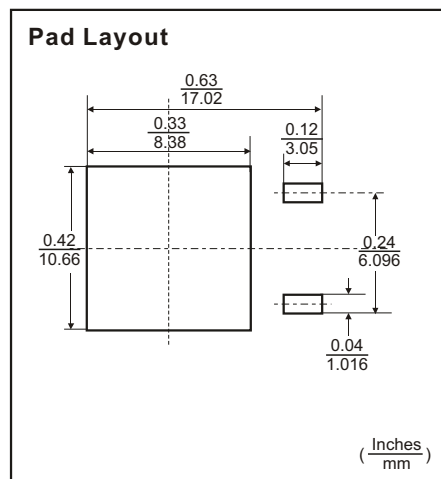
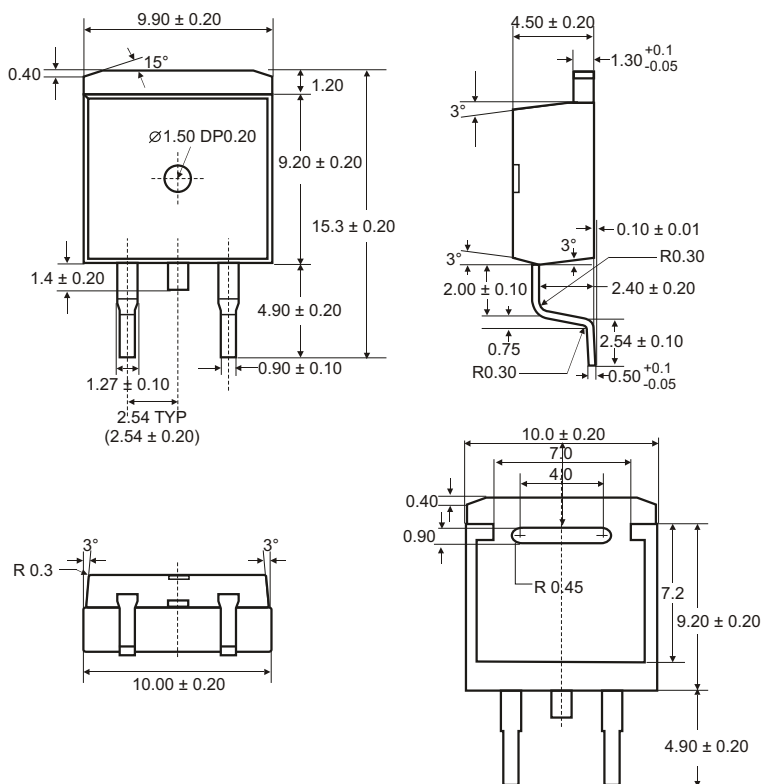
Figure 6. Minimum Load Current vs. $V_{IN} - V_{OUT}$

◆ TO-252 PACKAGE OUTLINE DIMENSIONS



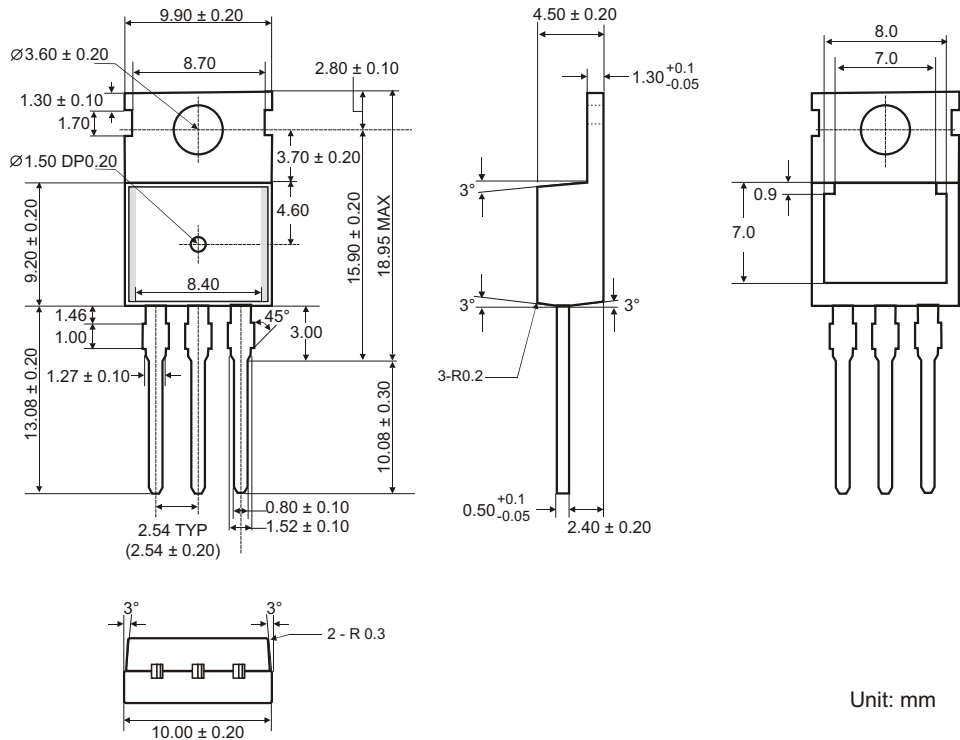
Unit: mm

◆ TO-263-2 PACKAGE OUTLINE DIMENSIONS

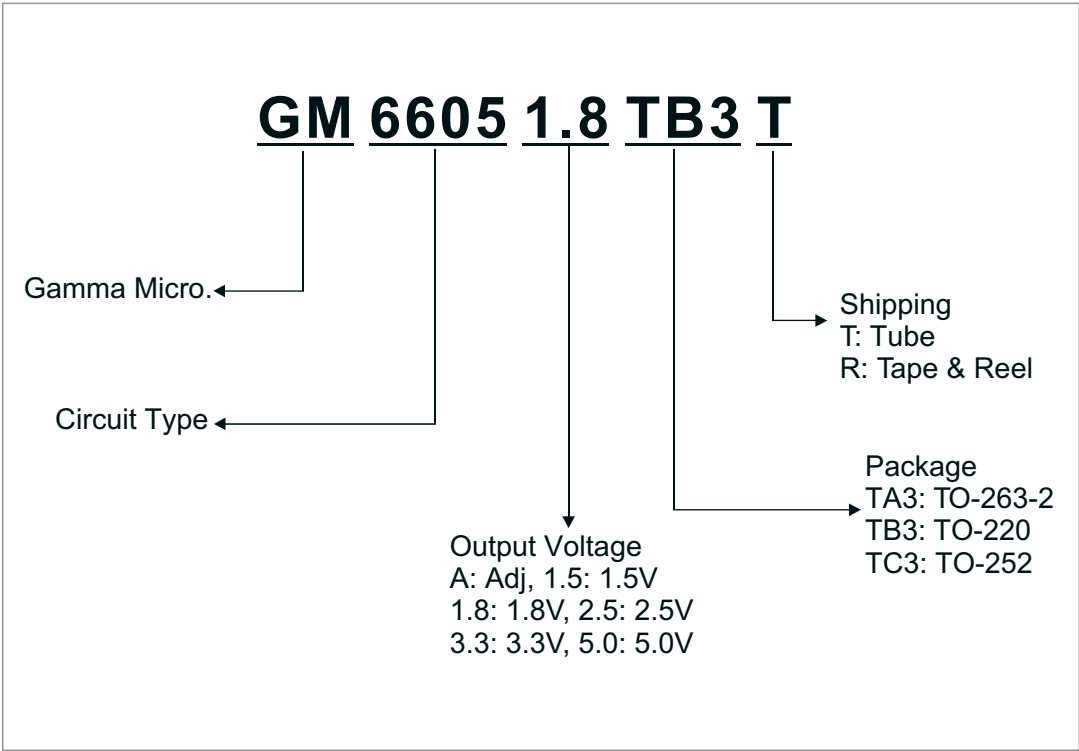




Unit: mm

◆ TO-220 PACKAGE OUTLINE DIMENSIONS



◆ ORDERING NUMBER



GAMMA Micro, , and  are registered trademarks of GAMMA MICROELECTRONICS INC. GAMMA reserves the right to make changes without further notice to any products herein. Information provided herein is alleged to be exact and consistent and this publication surpasses and replaces all information previously supplied.

GAMMA makes no warranty the suitability of its products for any particular purpose, nor does GAMMA assume any liability arising out of the application or use of any product or circuit, and specifically disclaims any and all liability including without limitation special, consequential or incidental damages.

GAMMA products are not authorized for using as critical components in life support devices or systems without prior written approval from GAMMA MICROELECTRONICS INC.
