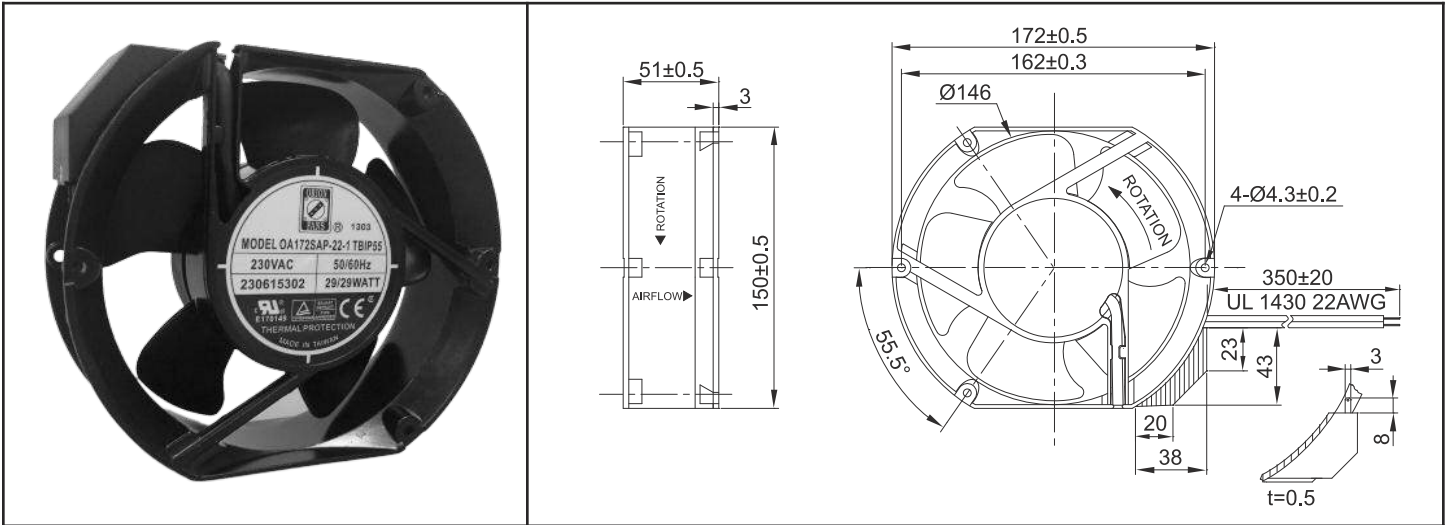


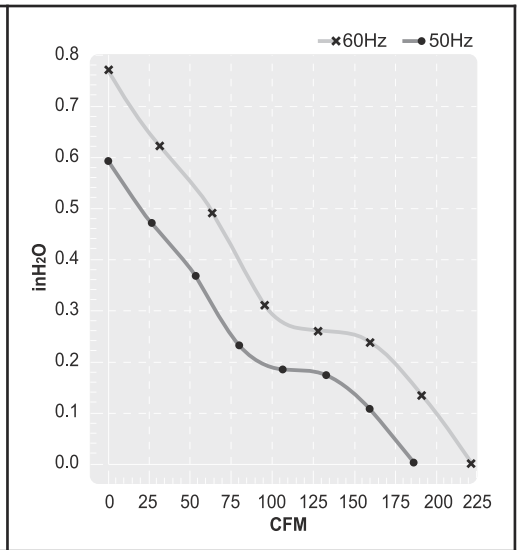
OA172SAP Series - IP55



AC Fan - 115V, 230V
172x150x51mm (6.7"x 5.9"x 2.0")



Frame	Diecast Aluminum	Operating Temperature -20C ~ +70C Life Expectancy Ball Bearing 40,000 hours (L10 at 40C) Rated IP55 Class B insulation Weight: ~ 2.6 lbs. m4
Impeller	PBT, UL94V-O plastic	
Connection	Terminals	
Motor	AC Capacitor, Thermally protected, Class B insulation	
Bearing System	Dual ball bearing	
Insulation Resistance	>100M ohm between lead-wire and frame (500VDC)	
Dielectric Strength	1,500V / 1 min	



Model Number	OA172SAP-11-1TBIP55	OA172SAP-22-1TBIP55
Part Number	230315302	230615302
Nominal Voltage	115 VAC	230 VAC
Voltage Range	103 ~ 126 VAC	207 ~ 253 VAC
Rated Current	0.25 A	0.12 A
Locked Current	0.43 A	0.19A
Rated Power	31 W	29 W
Rated Speed (RPM)	3,400	3,400
Airflow - CFM	226	226
Noise Level - (dB)	58	58
Max. Static Pressure	0.79" H ₂ O	0.79" H ₂ O