

4

3

2

1

THIS DRAWING IS UNPUBLISHED.

RELEASED FOR PUBLICATION

2008

© COPYRIGHT 2008 BY -

ALL RIGHTS RESERVED.

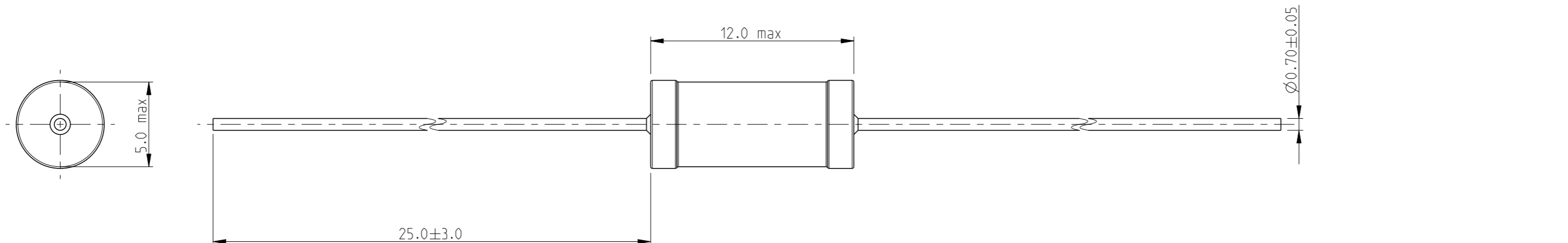
LOC  
E

DIST  
B

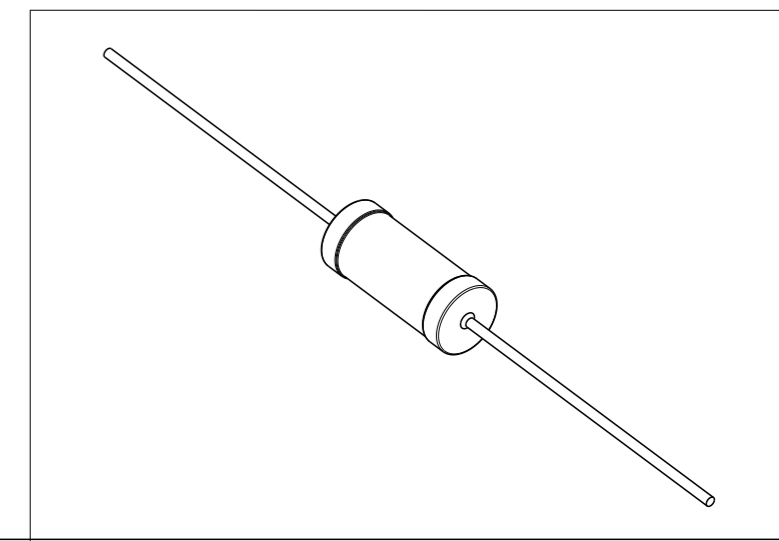
REVISIONS

P	LTR	DESCRIPTION	DATE	DWN	APVD
	BA1	ECR-12-017848	11OCT2012	KR	TN

FOR FURTHER INFORMATION SEE DATA SHEET FOR SERIES ROX, FLAME-PROOF POWER METAL OXIDE FILM RESISTORS



RoHS Compliant



THIS DRAWING IS A CONTROLLED DOCUMENT.		DWN PARUSURAM 19MAY2010			
		CHK SUBHASH.M 19MAY2010			
DIMENSIONS: mm		APVD J. CATCHPOLE 19MAY2010	NAME FLAME-PROOF POWER METAL OXIDE FILM RESISTORS SERIES ROX2S		
		PRODUCT SPEC -	RESTRICTED TO -		
TOLERANCES UNLESS OTHERWISE SPECIFIED:		APPLICATION SPEC -	SIZE A3	CAGE CODE 00779	DRAWING NO C-1625890
MATERIAL -		WEIGHT -	SCALE 4:1		SHEET 1 OF 1
FINISH -		CUSTOMER DRAWING		REV BA1	