

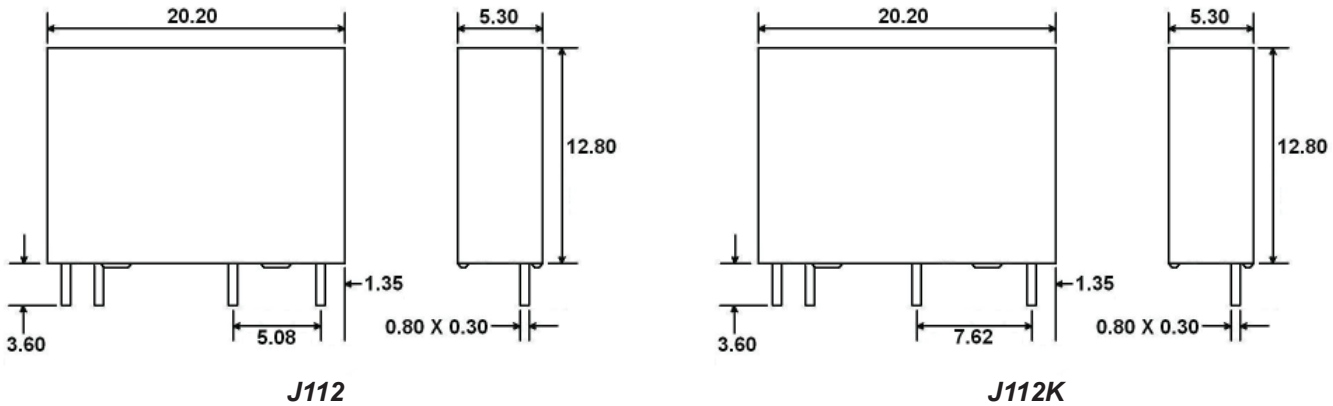
J112

Ordering Information

| | | | | |
|------------------------|---|----|---|-------|
| 1. Series | J112 | 1A | S | 12VDC |
| J112 | | | | |
| J112K | | | | |
| 2. Contact Arrangement | 1A = SPST N.O. | | | |
| 3. Sealing Option | S = Sealed | | | |
| 4. Contact Voltage | 5VDC 6VDC 9VDC 12VDC 18VDC 24VDC | | | |

Dimensions

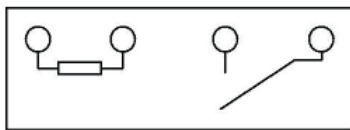
Units = mm



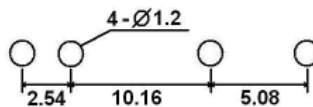
Schematics & PC Layouts

Bottom Views

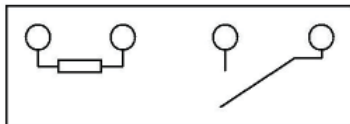
J112



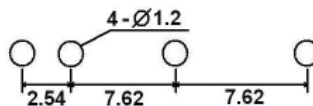
1A



J112K



1A



Dimensions shown in mm. Dimensions are shown for reference purposes only.

Specifications and availability subject to change without notice.