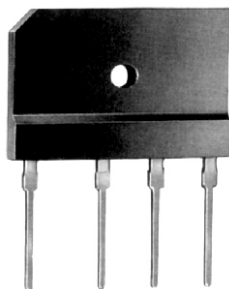


GBJ/KBJ10A thru GBJ/KBJ10M

SILICON BRIDGE RECTIFIERS GLASS PASSIVATED BRIDGE RECTIFIERS



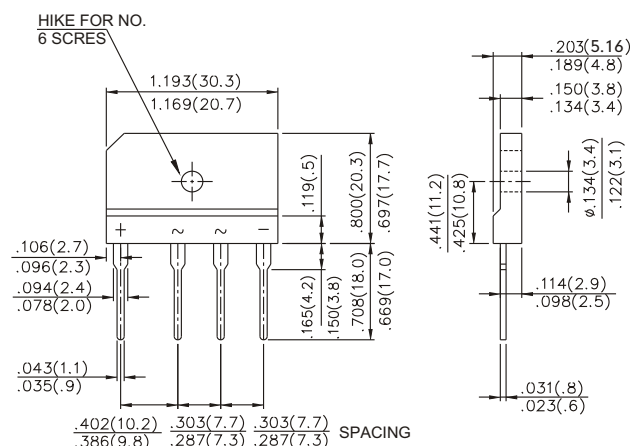
**CHENG-YI
ELECTRONIC**



FEATURES

- Rating to 1000V PRV
- Ideal for printed circuit board
- Low forward voltage drop, high current capability
- Reliable low cost construction utilizing molded plastic technique results in inexpensive product
- The plastic material has UL flammability classification 94V-0

REVERSE VOLTAGE -50 to 1000 Volts
FORWARD CURRENT -10.0 Amperes



Dimensions in inches and (millimeters)

MAXIMUM RATINGS AND ELECTRICAL CHARACTERISTICS

Rating at 25°C ambient temperature unless otherwise specified.
Single phase, half wave, 60Hz, resistive or inductive load.
For capacitive load, derate current by 20%.

CHARACTERISTICS	SYMBOL	GBJ KBJ 10A	GBJ KBJ 10B	GBJ KBJ 10D	GBJ KBJ 10G	GBJ KBJ 10J	GBJ KBJ 10K	GBJ KBJ 10M	UNITS
Maximum Recurrent Peak Reverse Voltage	V_{RRM}	50	100	200	400	600	800	1000	V
Maximum RMS Voltage	V_{RMS}	35	70	140	280	420	560	700	V
Maximum DC Voltage	V_{DC}	50	100	200	400	600	800	1000	V
Maximum Average Forward (with heatsink Note 2) Rectified Current @ $T_C=110^\circ\text{C}$ (without heatsink)	I_{AV}	10.0 3.0							A
Peak Forward Surge Current 8.3 ms single half sine-wave superimposed on rated load (JEDEC Method)	I_{FSM}	200							A
Maximum Forward Voltage at 5.0A DC	V_F	1.05							V
Maximum DC Reverse Current @ $T_J=25^\circ\text{C}$ at rated DC Blocking Voltage @ $T_J=125^\circ\text{C}$	I_R	5.0 500							μA
$I^2 t$ Rating for fusing ($t < 8.3\text{ms}$)	$I^2 t$	120							A^2S
Typical Junction Capacitance per element (Note 1)	C_J	55							pF
Typical Thermal Resistance (Note 2)	$R_{\theta JC}$	1.4							$^\circ\text{C}/\text{W}$
Operating Temperature Range	T_J	-55 to +150							$^\circ\text{C}$
Storage Temperature Range	T_{STG}	-55 to +150							$^\circ\text{C}$

NOTES: 1. Measured at 1.0MHz and applied reverse voltage of 4.0V DC.
2. Device mounted on 150mm x 150mm X 1.6mm Cu Plate Heatsink.

GBJ/KBJ10A thru GBJ/KBJ10M

SILICON BRIDGE RECTIFIERS GLASS PASSIVATED BRIDGE RECTIFIERS



RATING AND CHARACTERISTICS CURVES GBJ/KBJ10A THRU GBJ/KBJ10M

FIG. 1 - FORWARD CURRENT DERATING CURVE

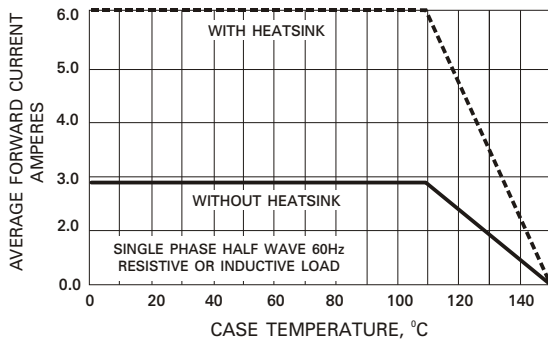


FIG. 2 - MAXIMUM NON-REPETITIVE SURGE CURRENT

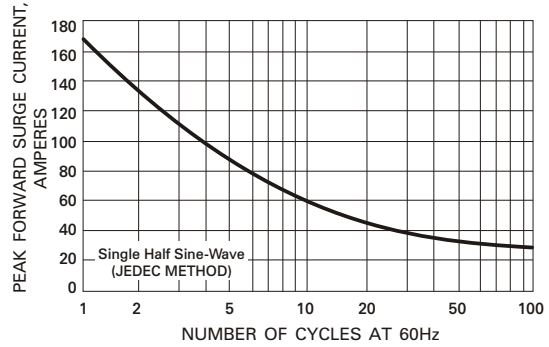


FIG. 3 - TYPICAL JUNCTION CAPACITANCE

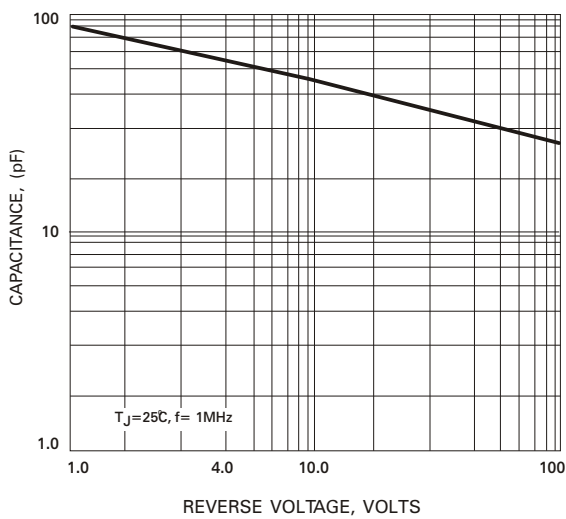


FIG. 4 - TYPICAL FORWARD CHARACTERISTICS

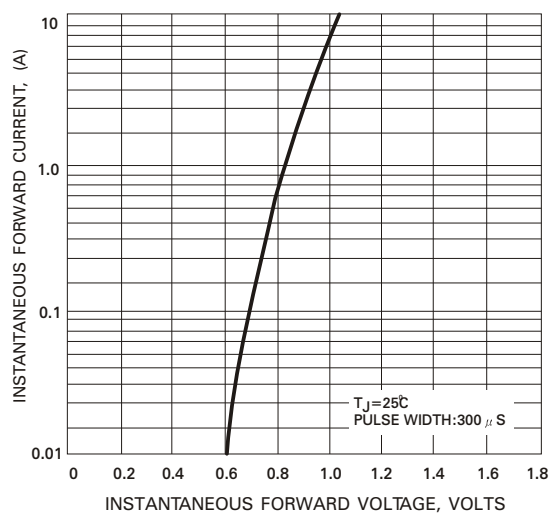


FIG. 5 - TYPICAL REVERSE CHARACTERISTICS

