

DESCRIPTION

The AMC3842B/43B/44B/45B are fixed frequency current-mode PWM controllers specially designed for OFF-Line switching power supply and DC-to-DC converters with a minimum number of external components. These devices feature a trimmed oscillator for precise duty cycle control, a temperature compensated reference, high gain error amplifier, current sensing comparator, and high current totem pole output which is suitable for driving MOSFETs.

The under voltage lock-out (U.V.L.O.) is designed to operated with 200 μ A start-up current in typical, allowing an efficient bootstrap supply voltage design. The U.V.L.O. thresholds for the AMC3842B/44B are 16V (on) and 10V (off), which are ideal for off-line applications. The corresponding typical threshold for the AMC3843/45BB is 8.4V (on) and 7.6V (off). The AMC3842B/43B can operate within 100% duty cycle and the AMC3844B/45B can operate within 50% duty cycle.

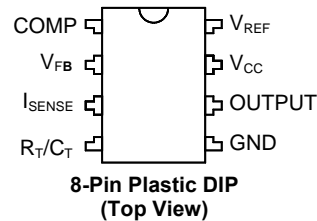
FEATURES

- Low Start-Up current (max. 200 μ A)
- Optimized for Off-Line and DC-to-DC Converters
- Maximum Duty Cycle
- U.V.L.O. with Hysteresis
- Operating Frequency Up to 500KHz
- Internal Trimmed Bandgap Reference
- High Current Totem Pole Output
- Error Amplifier With Low Output Resistance
- Available in 8-Pin Plastic DIP and Surface Mount 14-Pin S.O.I.C.
- Identical pin assignment to earlier UC384X series.

APPLICATIONS

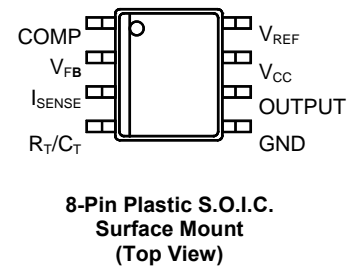
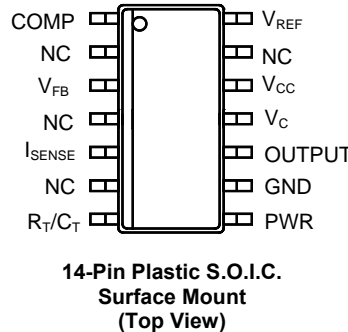
- Off-line flyback or forward converters.
- DC-to-DC buck or boost converter.
- Monitor Power Supply

PACKAGE PIN OUT



AVAILABLE OPTIONS

Device	Start-UP Voltage	Hysteresis	Max. Duty Cycle
AMC3842B	16V	6V	< 100%
AMC3843B	8.4V	0.8V	< 100%
AMC3844B	16V	6V	< 50%
AMC3845B	8.4V	0.8V	< 50%



ORDER INFORMATION

T _A (°C)	M	Plastic DIP-8 8-pin	D	Plastic SO-14 14-pin	DM	Plastic SO-8 8-pin
	0 to 70		AMC384XBM		AMC384XBD	
0 to 70		AMC384XBM (Lead Free)		AMC384XBD (Lead Free)		AMC384XBDM (Lead Free)

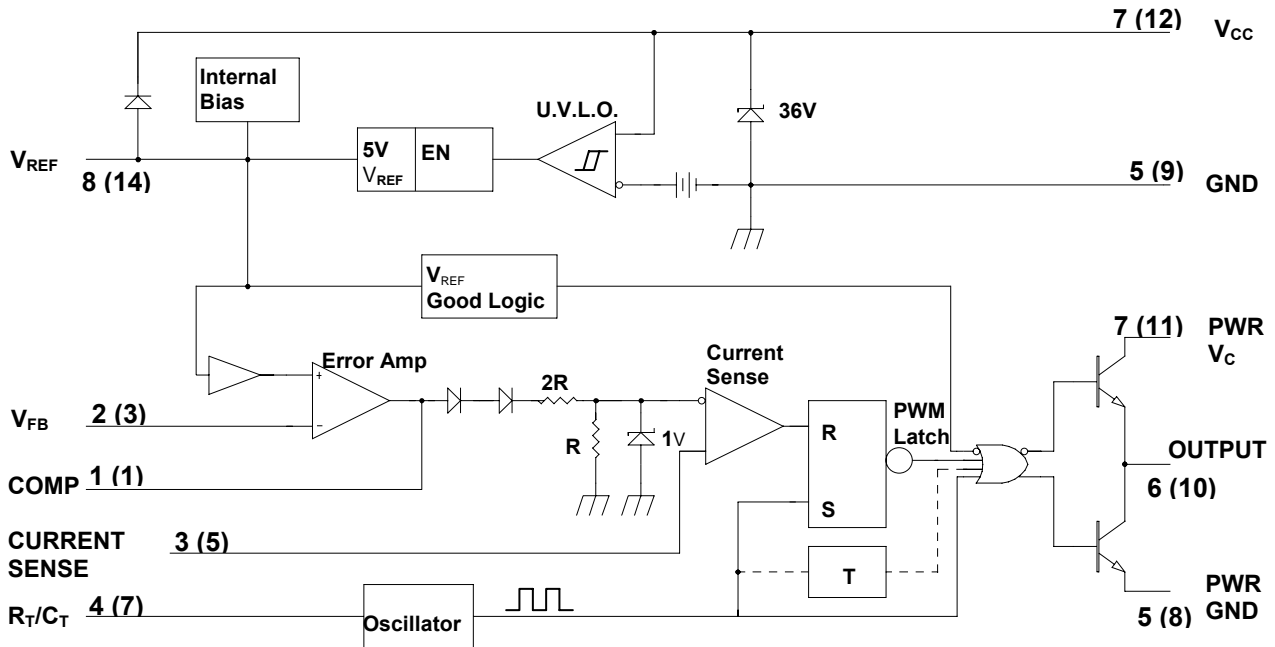
Note: 1. All surface-mount packages are available in Tape & Reel. Append the letter "T" to part number (i.e. AMC384XBDMT, or AMC384XBDMT).
 2. The letter "F" is marked for Lead Free process.

ABSOLUTE MAXIMUM RATINGS (Note 1)

Supply voltage, V_{CC}	35V
Output current, I_O	$\pm 1A$
Analog inputs, V_I	-0.3V to 6.3V
Error amp output sink current, $I_{SINK(EA)}$	10mA
Power dissipation ($T_A = 25^\circ C$), P_D	1W
Maximum junction temperature, T_J	150°C
Storage temperature range	-65°C to 150°C
Lead temperature (soldering, 10 seconds)	260°C
Note 1: Exceeding these ratings could cause damage to the device. All voltages are with respect to Ground. Currents are positive into, negative out of the specified terminal.	

THERMAL DATA

M PACKAGE:	
Thermal Resistance-Junction to Ambient, θ_{JA}	95 °C/W
D PACKAGE:	
Thermal Resistance-Junction to Ambient, θ_{JA}	120 °C/W
DM PACKAGE:	
Thermal Resistance-Junction to Ambient, θ_{JA}	165 °C/W
Junction Temperature Calculation: $T_J = T_A + (P_D \times \theta_{JA})$. The θ_{JA} numbers are guidelines for the thermal performance of the device/pc-board system. All of the above assume no ambient airflow.	

BLOCK DIAGRAM


() are 14 Pin S.O.I.C. pin number

Note 2: V_{CC} and PWR V_c are internally connected for 8 pin packages.

Note 3: PWR GND and GND are internally connected for 8 pin packages.

Note 4: U.V.L.O. is 16V for 3842B/44B and 8.4V for 3843B/45B.

Note 5: Hysteresis is 6V for 3842B/44B and 0.8V for 3843B/45B.

Note 6: Toggle flip flop used only in 3844B/45B

RECOMMENDED OPERATING CONDITIONS

Parameter	Symbol	Recommended Operating Conditions			Units
		Min.	Typ.	Max.	
Supply Voltage	V_{CC} / V_C			30	V
Input Voltage	$V_{I,R_T/C_T}$	0		5.5	V
	$V_{I,I_{SENSE}/V_{FB}}$				
Output Voltage	V_O , Output	0		30	V
Supply Current	I_{CC}			25	mA
Average Output Current	I_O			200	mA
Reference Output Current	$I_{O(REF)}$			-20	mA
Timing Capacitor	C_T	1			nF
Oscillator Frequency	f_{OSC}		100	500	KHz
Operating Free-air Temperature	T_A	0		70	°C

ELECTRICAL CHARACTERISTICS

Unless otherwise specified, these specifications apply over the operating ambient temperature for AMC384XB with $0^\circ\text{C} \leq T_A \leq 70^\circ\text{C}$; $V_{CC} = 15\text{V}$ (note 7); $R_T = 10\text{K}$; $C_T = 3.3\text{nF}$. Low duty cycle pulse testing techniques are used which maintains junction and case temperatures equal to the ambient temperature.

Parameter	Symbol	Test Conditions	AMC384XB			Units
			Min.	Typ.	Max.	
Reference Section						
Reference output Voltage	V_{REF}	$T_J = 25^\circ\text{C}$, $I_{REF} = 1\text{mA}$	4.9	5.0	5.1	V
Line Regulation		$12\text{V} \leq V_{CC} \leq 25\text{V}$, $T_J = 25^\circ\text{C}$		6	20	mV
Load Regulation		$1\text{mA} \leq I_{REF} \leq 20\text{mA}$		6	25	mV
Short Circuit Output Current	I_{SC}	$T_J = 25^\circ\text{C}$	-30	-100	-180	mA
Oscillator Section						
Oscillation Frequency	f	$T_J = 25^\circ\text{C}$	47	52	57	KHz
Frequency Change with Voltage		$12\text{V} \leq V_{CC} \leq 25\text{V}$		0.2	1.0	%
Frequency Change with Temperature (note 8)		$T_{MIN} \leq T_A \leq T_{MAX}$		5		%
Peak-to-peak Amplitude At R_T/C_T	V_{OSC}			1.7		V
Current Sense Section						
Gain (note 9 & 10)	A_{VOL}		2.85	3.00	3.15	V/V
Maximum Input Signal (note 9)	$V_{I(MAX)}$	COMP = 5V	0.9	1.0	1.1	V
Power Supply Rejection Ratio (note 9)	PSRR	$12\text{V} \leq V_{CC} \leq 25\text{V}$ (note 9)		70		dB
Input Bias Current	I_{BIAS}			-3.0	-10	μA

ELECTRICAL CHARACTERISTICS (Continued)

Error Amplifier Section						
Input Bias Current	I_{BIAS}			-0.1	-2	μA
Input Voltage	$V_{I(EA)}$	COMP = 2.5V	2.42	2.50	2.58	V
Open Loop Voltage Gain	G_{VO}	$2V \leq V_O \leq 4V$	65	90		dB
Unity Gain Bandwidth (note 8)	UGBW	$T_J = 25^\circ C$	0.7	1		MHz
Power Supply Rejection Ratio	PSRR	$12V \leq V_{CC} \leq 25V$	60	70		dB
Output Sink Current	I_{SINK}	$V_{FB} = 2.7V, COMP = 1.1V$	2	7		mA
Output Source Current	I_{SOURCE}	$V_{FB} = 2.3V, COMP = 5.0V$	-0.5	-1.0		mA
High Output Voltage	V_{OH}	$V_{FB} = 2.3V, R_L = 15K\Omega$ to GND	5	6		V
Low Output Voltage	V_{OL}	$V_{FB} = 2.7V, R_L = 15K\Omega$ to V_{REF}		0.7	1.1	V
Output Section						
Output Low Level	V_{OL}	$I_{SINK} = 20mA$		0.1	0.4	V
		$I_{SINK} = 200mA$		1.4	2.2	
Output High Level	V_{OH}	$I_{SOURCE} = 20mA$	13	13.5		V
		$I_{SOURCE} = 200mA$	12	13.0		
Rise Time (note 9)	t_r	$T_J = 25^\circ C, C_L = 1nF$		50	150	ns
Fall Time (note 9)	t_f	$T_J = 25^\circ C, C_L = 1nF$		50	150	ns
Under-Voltage Lockout Section						
Start Threshold	$V_{TH(ST)}$	AMC3842B/44B	14.5	16.0	17.5	V
		AMC3843B/45B	7.8	8.4	9.0	
Min. Operating Voltage		AMC3842B/44B	8.5	10	11.5	V
		AMC3843B/45B	7.0	7.6	8.2	
PWM Section						
Maximum Duty Cycle	Dmax	AMC3842B/43B	94	97	100	%
		AMC3844B/45B	47	48	50	
Total Standby Current						
Startup Current		AMC3842B/44B			0.2	mA
		AMC3843B/45B			0.2	
Operating Supply Current	I_{CC}	$V_{FB} = I_{SENSE} = 0V$		14	17	mA
Zener Voltage	V_Z	$I_{CC} = 25mA$	30	35		V

Note 7: Adjust V_{CC} above the start threshold before setting at 15V

Note 8: These parameters, although guaranteed, are not 100% tested in production prior to shipment

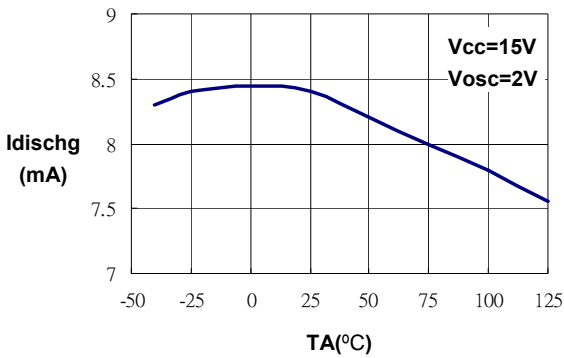
Note 9: Parameters are measured at trip point of latch with $V_{FB} = 2V$

Note 10: Gain is measured between I_{SENSE} and COMP with the input changing from 0V to 0.8V

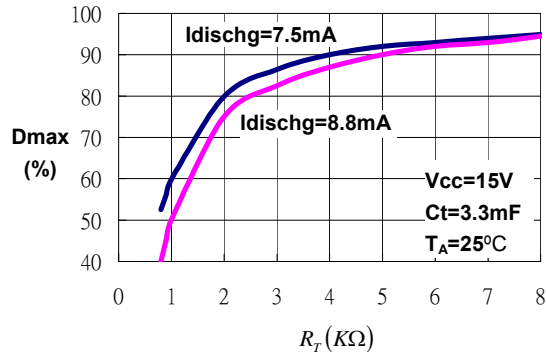
CHARACTERIZATION CURVES

Below characterization curves was referenced by Fig.4

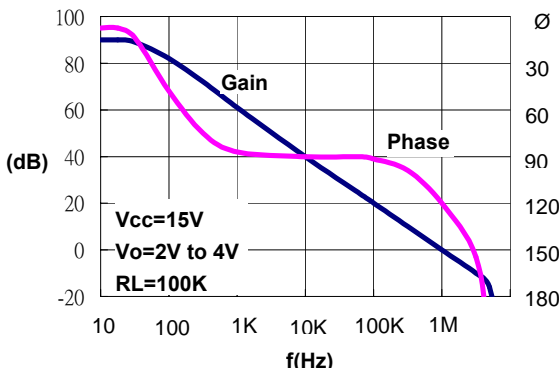
Oscillator Discharge Current vs. Temperature



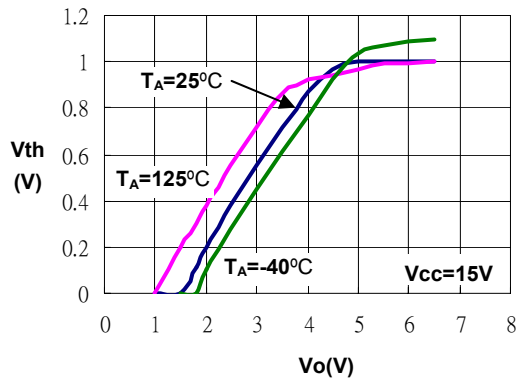
Maximum Output Duty Cycle vs. Timing Resistor



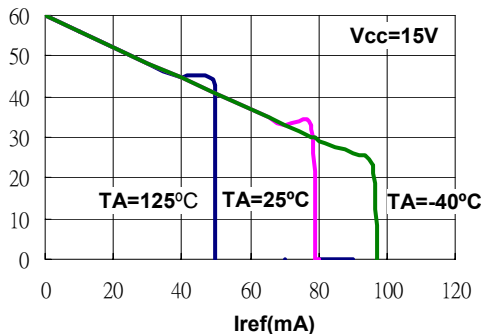
Error Amp Open-Loop Gain and Phase vs. Frequency



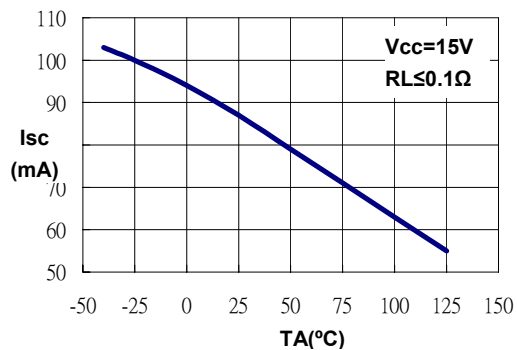
Current Sense Input Threshold vs. Error Amp Output Voltage.

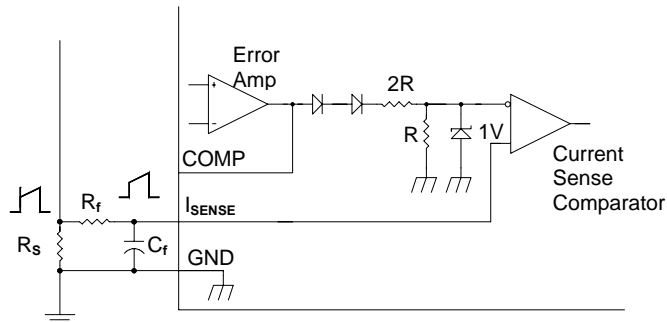


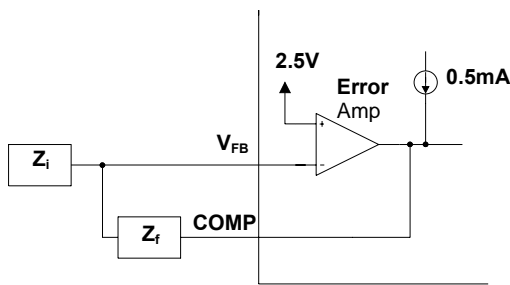
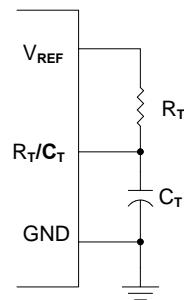
Reference Voltage Change vs. Source Current.

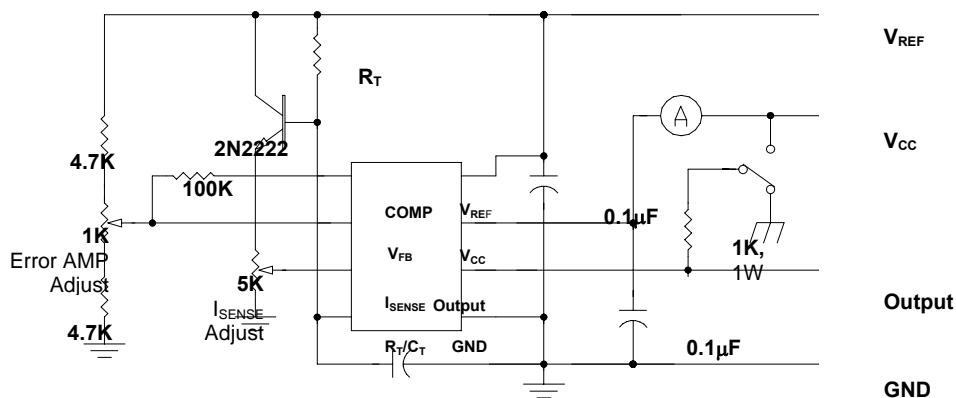


Reference Short Circuit Current vs. Temperature.



APPLICATION INFORMATION

Fig. 1. Current Sense Circuit

 Peak current (I_S) is set by: $I_{S(MAX)} = 1V/R_S$

Fig. 2. Error Amplifier Configuration - the amplifier can source or sink up to 0.5mA

Fig. 3. Oscillator Section

 For $R_T < 5K$, $f = \frac{1.72}{R_T C_T}$

Fig. 4. Open-loop laboratory test fixture: Careful grounding techniques are necessary for high peak currents associated with capacitive loads. Timing and bypass capacitors should be connected to GND pin in a single point ground. The transistor and 5K potentiometer are used to sample the oscillator waveform and apply an adjustable ramp to the I_{SENSE} pin

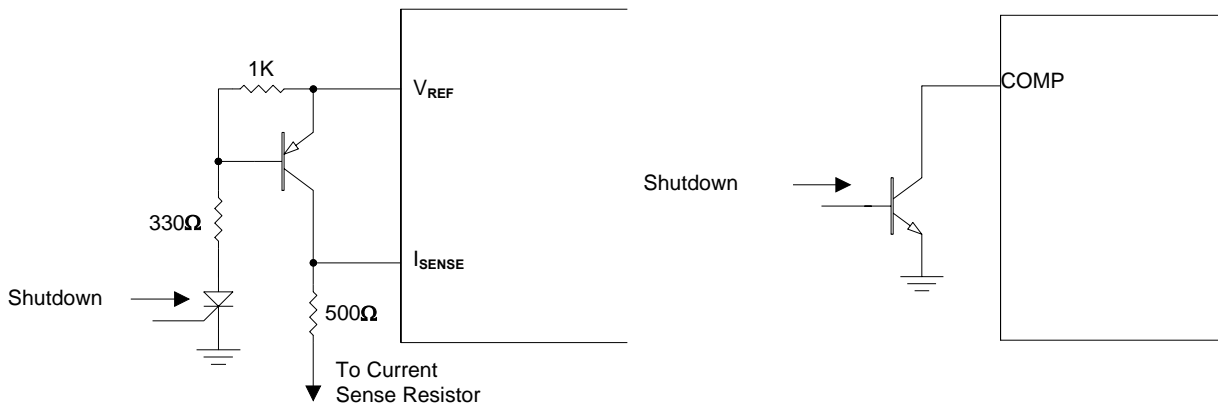
APPLICATION INFORMATION (continued)


Fig. 5. Shutdown Techniques - there are two ways to shutdown the PWM controller: 1) raise the voltage at I_{SENSE} above 1V or, 2) pull the COMP below a voltage two diodes above ground.

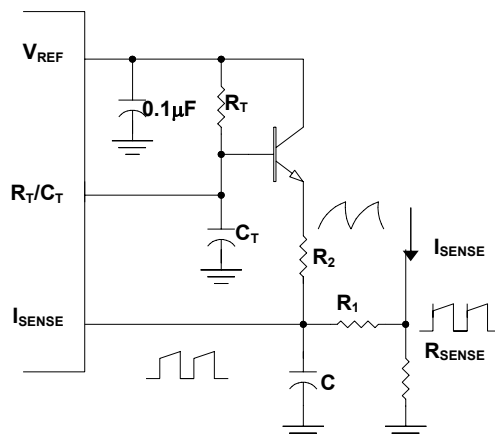
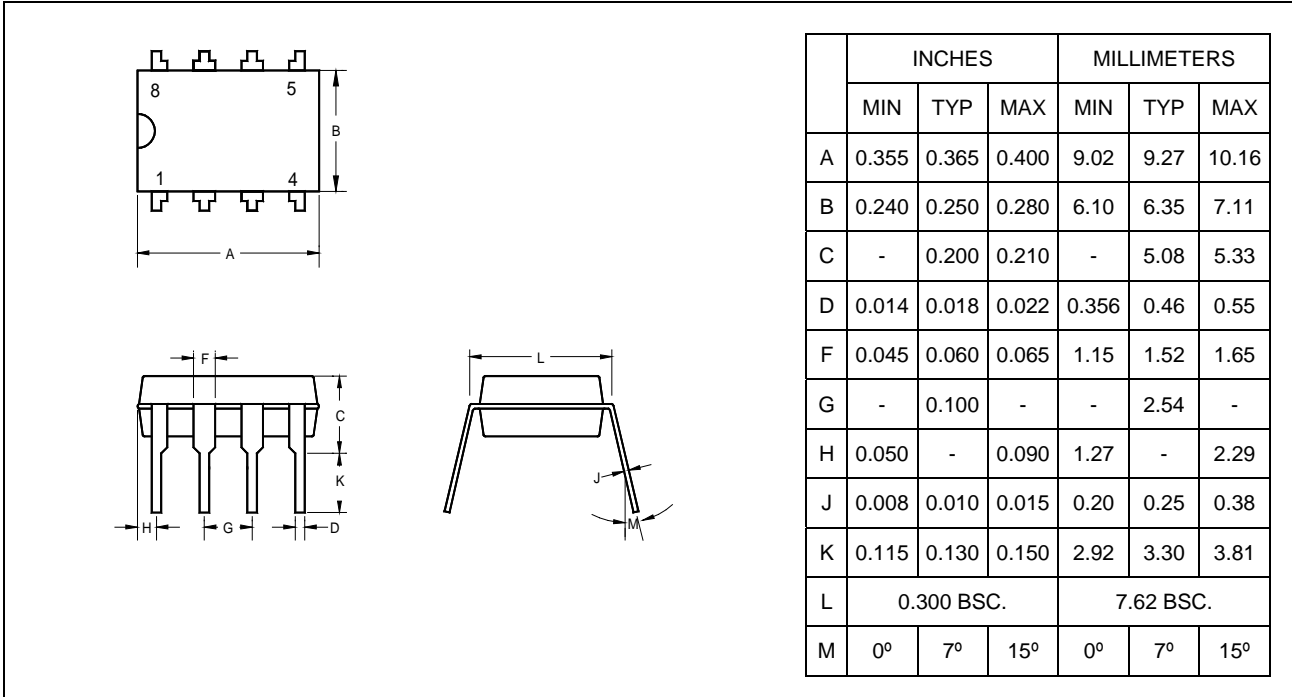
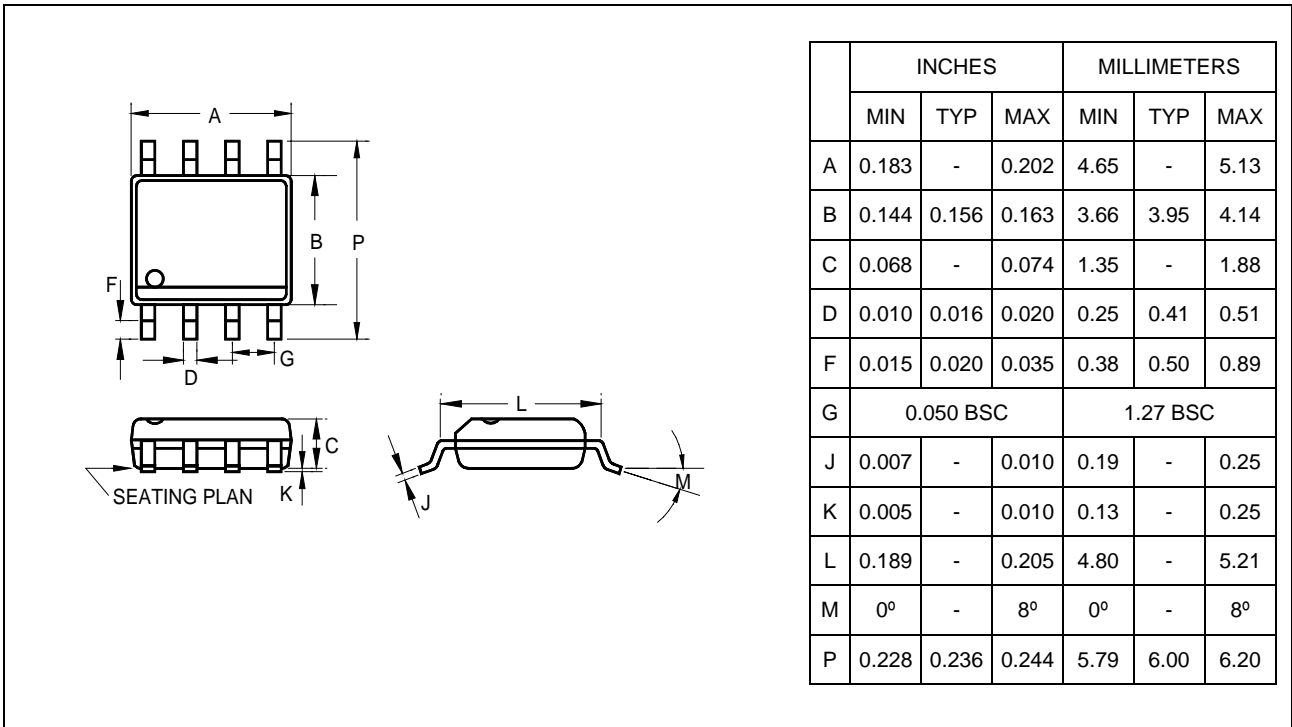
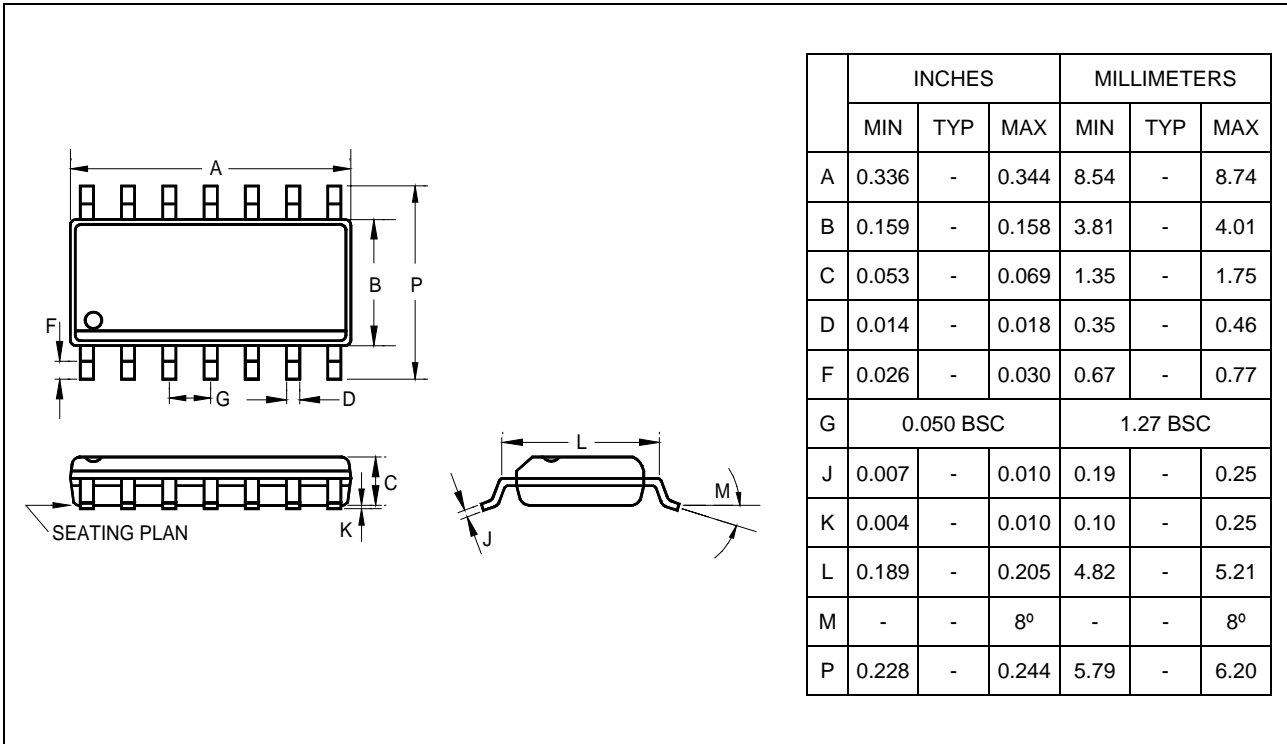


Fig 6. Slop Compensation – To achieve duty cycles over 50% for some applications, the above slope compensation technique is suggested by resistively summing a fraction of the oscillator ramp with the current sense signal.

PACKAGE
8-Pin Plastic DIP

8-Pin Plastic S.O.I.C.


14-Pin Plastic S.O.I.C.


IMPORTANT NOTICE

ADDtek reserves the right to make changes to its products or to discontinue any integrated circuit product or service without notice, and advises its customers to obtain the latest version of relevant information to verify, before placing orders, that the information being relied on is current.

A few applications using integrated circuit products may involve potential risks of death, personal injury, or severe property or environmental damage. ADDtek integrated circuit products are not designed, intended, authorized, or warranted to be suitable for use in life-support applications, devices or systems or other critical applications. Use of ADDtek products in such applications is understood to be fully at the risk of the customer. In order to minimize risks associated with the customer's applications, the customer should provide adequate design and operating safeguards.

ADDtek assumes no liability to customer product design or application support. ADDtek warrants the performance of its products to the specifications applicable at the time of sale.

ADDtek Corp.

9F, No. 20, Sec. 3, Bade Rd., Taipei, Taiwan, 105

TEL: 2-25700299

FAX: 2-25700196
